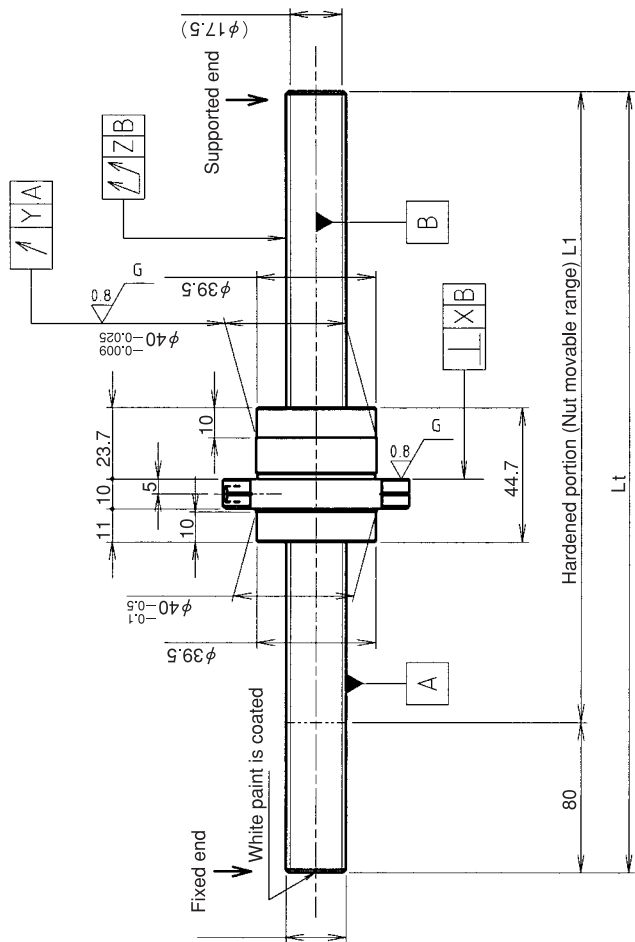
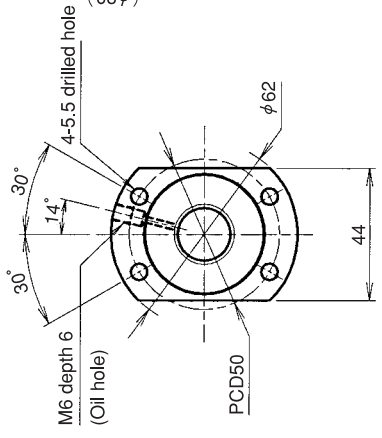


UNFINISHED SHAFT ENDS Screw shaft diameter Ø20, Lead 40(E nut)

(Unit:mm)



Ball screw specifications

Screw shaft dia.	20	Basic dynamic load rating	4700N
Lead	40	Basic static load rating	10300N
Thread direction	Right-hand	Lubricant	Alvania Grease No.2
Number of circuits	0.67turn 3circuit	Surface treatment	Without
Ball diameter	3.175		

Table of optional specifications for each model

Additional machining of shaft end	Surface treatment(No.1)	Difference of grease	Direction of nut	Wiper removal
O	O	O	O	X

(Note 1) The above-mentioned surface treatment is LD treatment(coating thickness:1 to 2µm).

Model No.	Axial clearance	L _t	X	Y	Z	Wiper
GW2040QS-HEZR-0600A	520	600			0.070	
GW2040QS-HEZR-1200A	-0.030	1120	0.025	0.025	0.120	*
GW2040QS-HEZR-2000A		1920			0.270	

Asterisked part:The lip of the end cap serves as a wiper.

- Notation of standard rolled ball screw
- Standard length shaft without end machining
GW2040QS-HEZR-□□□□A
- With end machining specified on your drawing
GW2040QS-HEZR-□□□□X□□□□-C7Y

Overall length Thread length

