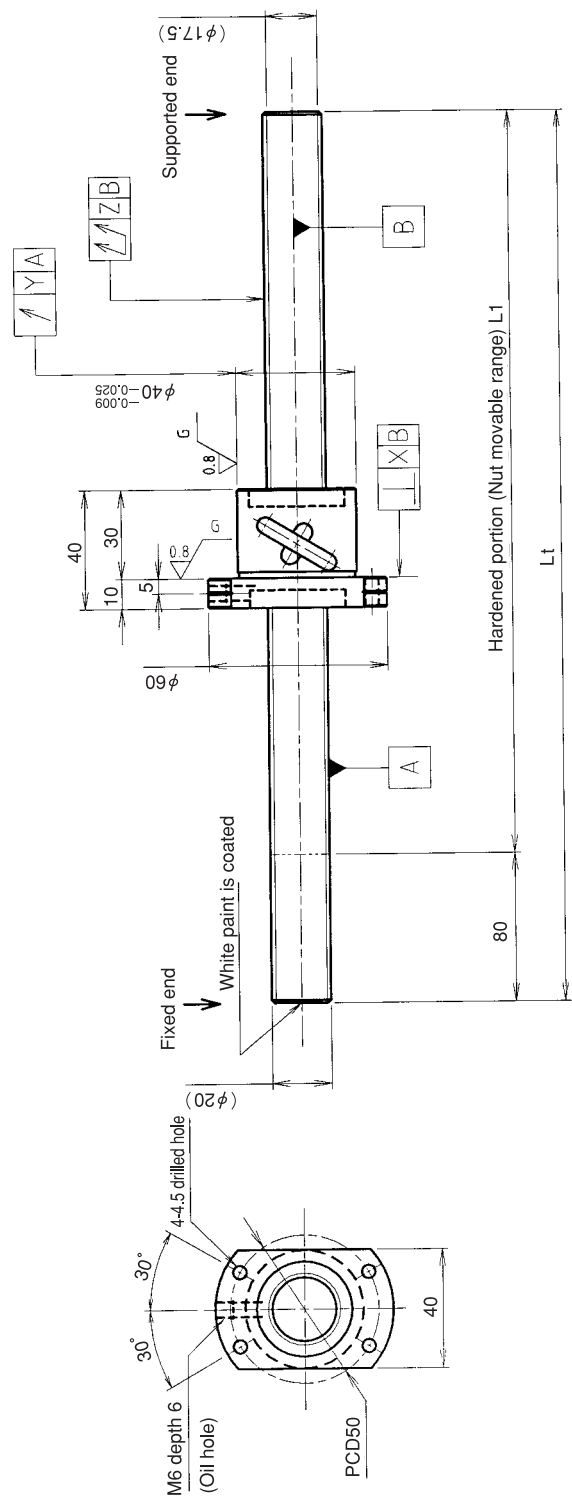


**KURODA** Standard Rolled Ball Screw:GW Series(Accuracy grade C7)

**UNFINISHED SHAFT ENDS**

**Screw shaft diameter Ø20, Lead 5(U nut)**

(Unit:mm)



**Ball screw specifications**

Screw shaft dia.	20	Basic dynamic load rating	6200N
Lead	5	Basic static load rating	14700N
Thread direction	Right-hand	Lubricant	Alvania Grease No.2
Number of circuits	2.5turn 1circuit	Surface treatment	Without
Ball diameter	3.175		

Model No.	Axial clearance	L <sub>t</sub>	X	Y	Z	Wiper
GW2005DS-HULR-0600A	-0.030	520	0.025	0.025	0.070	Lip seal
GW2005DS-HULR-1200A		1120			0.120	
GW2005DS-HULR-2000A		1920			0.270	

**Table of optional specifications for each model**

Additional machining of shaft end	Surface treatment(No.1)	Difference of grease	Direction of nut	Wiper removal
○	○	○	○	○

(Note 1) The above-mentioned surface treatment is LD treatment(coating thickness:1 to 2µm).

Notation of standard rolled ball screw  
 •Standard length shaft without end machining  
 GW2005DS-HULR-□□□□A  
 •With end machining specified on your drawing  
 GW2005DS-HULR-□□□□X□□□□-C7Y  
 Overall length Thread length

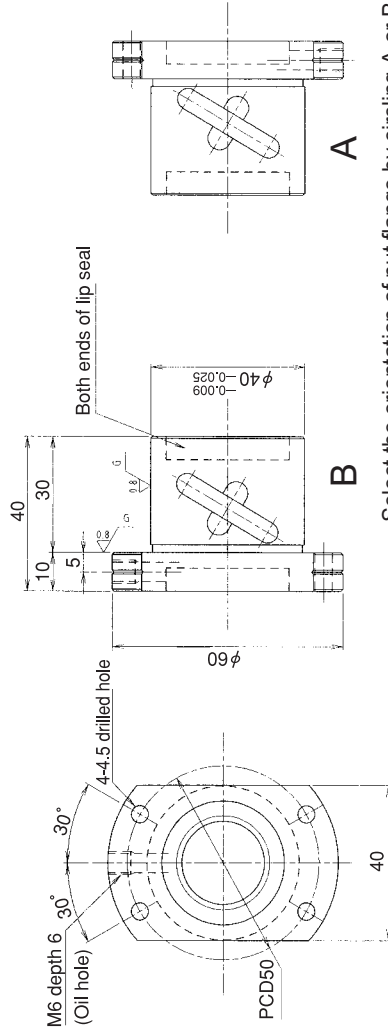
Refer to page 24 for NOTATION OF MODEL NUMBER.

**SHAFT END FINISH ORDERING SHEET**

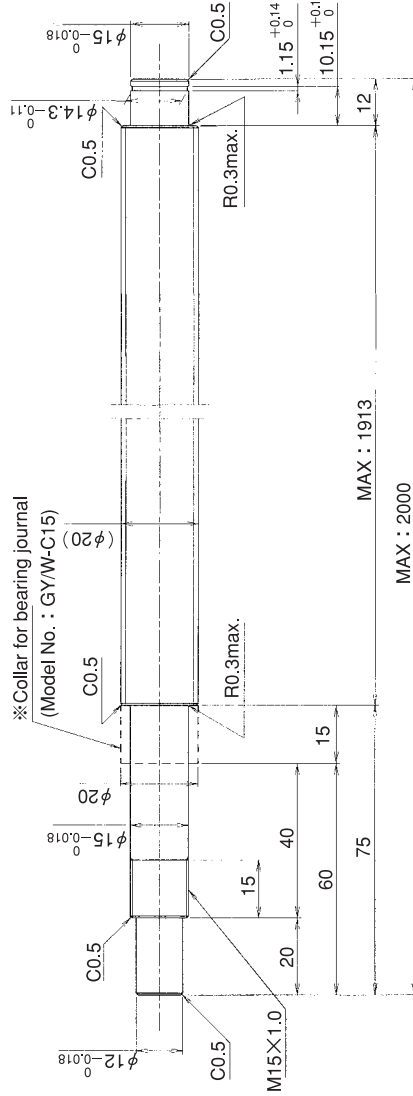
Screw shaft diameter Ø20, Lead 5(U nut)

(Unit:mm)

GW2005DS-HULR-     X     -C7Y



Select the orientation of nut flange by circling A or B.  
No marking means "B" orientation as default.



\*Please place an order for collar separately.

Applicable Support Unit

Direct mount: BUK-15A (Fixed end unit+Supported end unit) Refer to Page.428

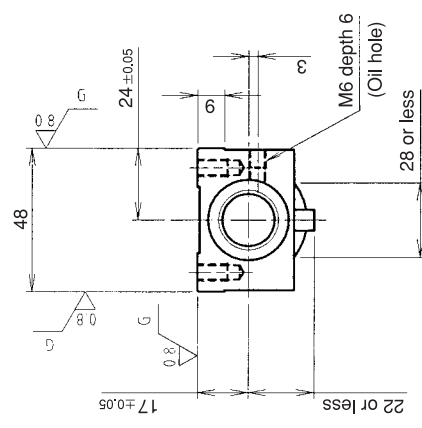
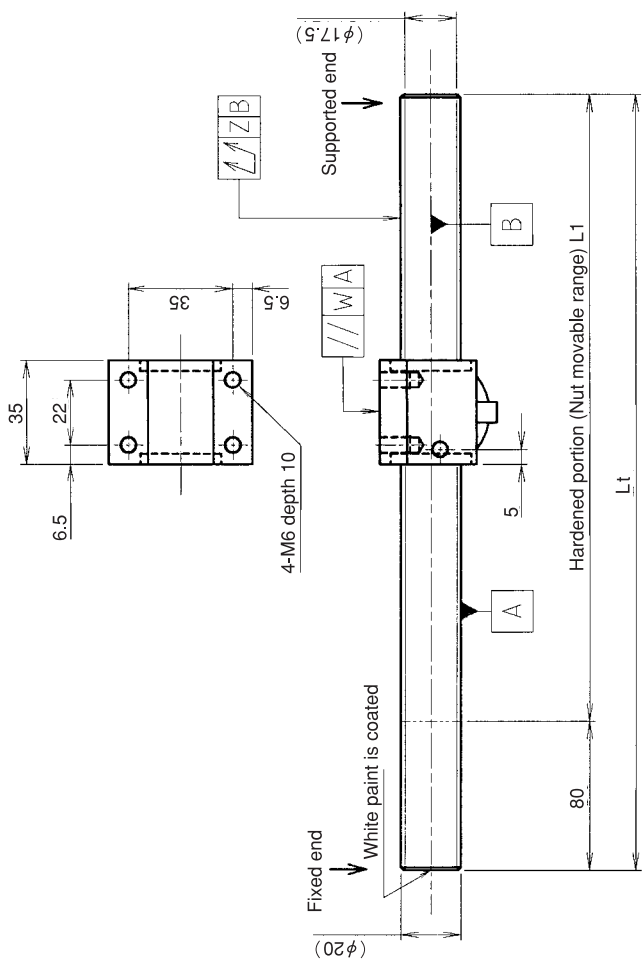
Circle flange: BUM-15 (Fixed end unit+Supported end bearing) Refer to Page.435

Company Name	
Telephone	Name of Person in Charge
Company Address	

**UNFINISHED SHAFT ENDS**

**Screw shaft diameter Ø20, Lead 5(K nut)**

(Unit:mm)



**Ball screw specifications**

Screw shaft dia.	20	Basic dynamic load rating	6200N
Lead	5	Basic static load rating	14700N
Thread direction	Right-hand	Lubricant	Alvania Grease No.2
Number of circuits	2.5turn 1circuit	Surface treatment	Phosphate coating (Nut only)
Ball diameter	3.175		

**Table of optional specifications for each model**

Additional machining of shaft end	Surface treatment(Note 1)	Difference of grease	Direction of nut	Wiper removal
○	○	○	○	○

(Note 1) The above-mentioned surface treatment is LD treatment(coating thickness:1 to 2µm).

Model No.	Axial clearance	L <sub>1</sub>	L <sub>t</sub>	W	Z	Wiper
GW2005DS-NKLR-0600A		520	600		0.070	
GW2005DS-NKLR-1200A	-0.030	1120	1200	0.017	0.120	Lip seal
GW2005DS-NKLR-2000A		1920	2000		0.270	

Notation of standard rolled ball screw  
 •Standard length shaft without end machining  
 GW2005DS-NKLR-□□□□A  
 •With end machining specified on your drawing  
 GW2005DS-NKLR-□□□□X□□□□-C7Y  
 Overall length Thread length

