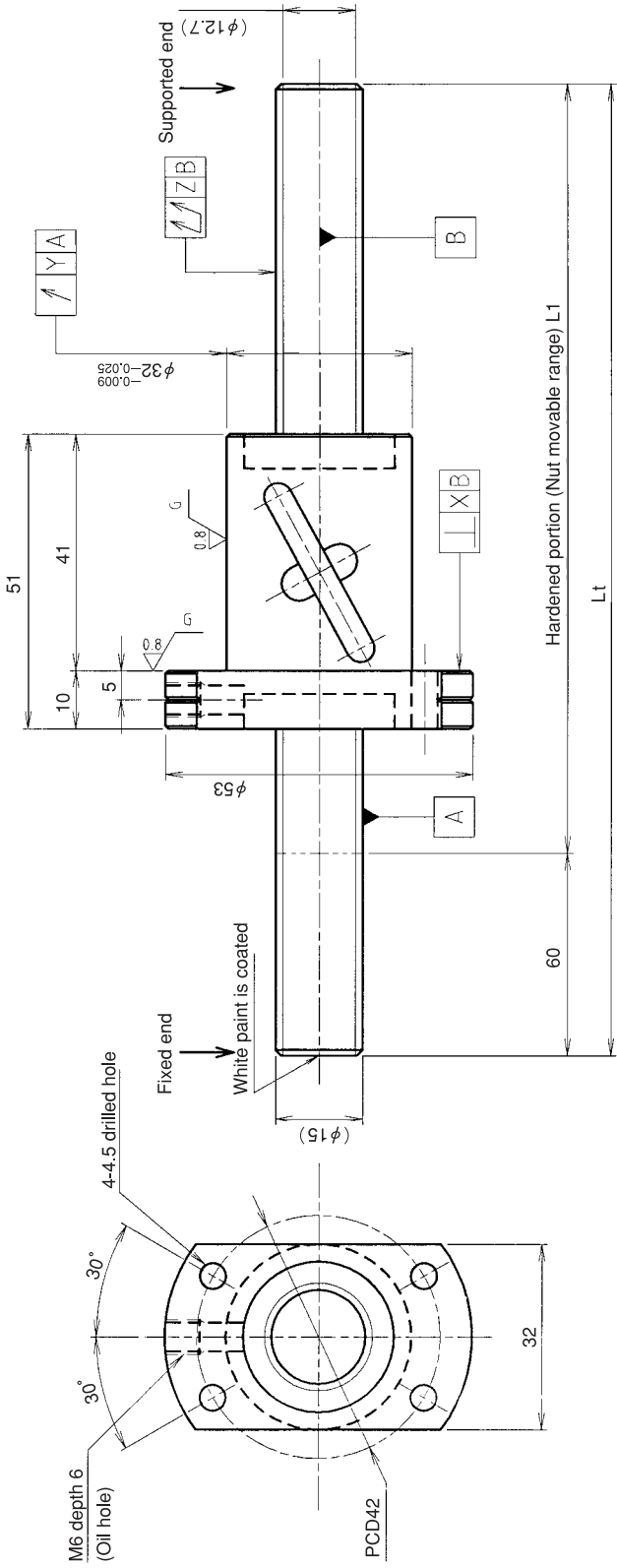


UNFINISHED SHAFT ENDS Screw shaft diameter Ø15, Lead 16(U nut)

(Unit:mm)



Ball screw specifications

Screw shaft dia.	15	Basic dynamic load rating	4300N
Lead	16	Basic static load rating	10200N
Thread direction	Right-hand	Lubricant	Alvania Grease No.2
Number of circuits	1.5turn 2circuit	Surface treatment	Without
Ball diameter	2.778		

Table of optional specifications for each model

Additional machining of shaft end	Surface treatment(No.1)	Difference of grease	Direction of nut	Wiper removal
O	O	O	O	O

(Note 1) The above-mentioned surface treatment is LD treatment(coating thickness:1 to 2µm).

Model No.	Axial clearance	L1	Lt	X	Y	Z	Wiper
GW1516BS-HULR-0600A	-0.030	540	600	0.020	0.020	0.070	Lip seal
GW1516BS-HULR-1200A		1140	1200			0.170	

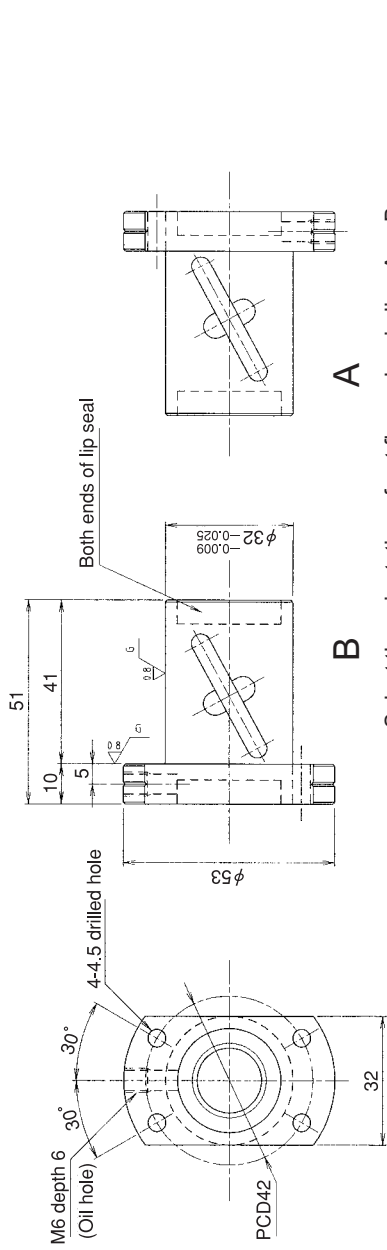
Notation of standard rolled ball screw
 •Standard length shaft without end machining
 GW1516BS-HULR-□□□□A
 •With end machining specified on your drawing
 GW1516BS-HULR-□□□□X□□□□-C7Y
 Overall length Thread length

SHAFT END FINISH ORDERING SHEET

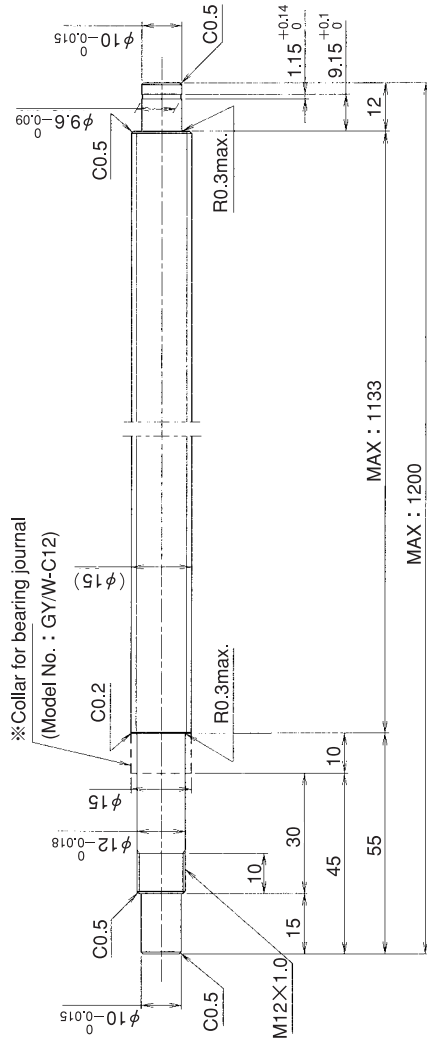
Screw shaft diameter $\varnothing 15$, Lead 16(U nut)

(Unit:mm)

GW1516BS-HULR- X -C7Y



Select the orientation of nut flange by circling A or B.
No marking means "B" orientation as default.



*Please place an order for collar separately.

Applicable Support Unit

Direct mount: BUK-12A (Fixed end unit + Supported end unit) Refer to Page.427

Circle flange: BUM-12 (Fixed end unit + Supported end bearing) Refer to Page.434

Company Name	
Telephone	Name of Person in Charge
Company Address	