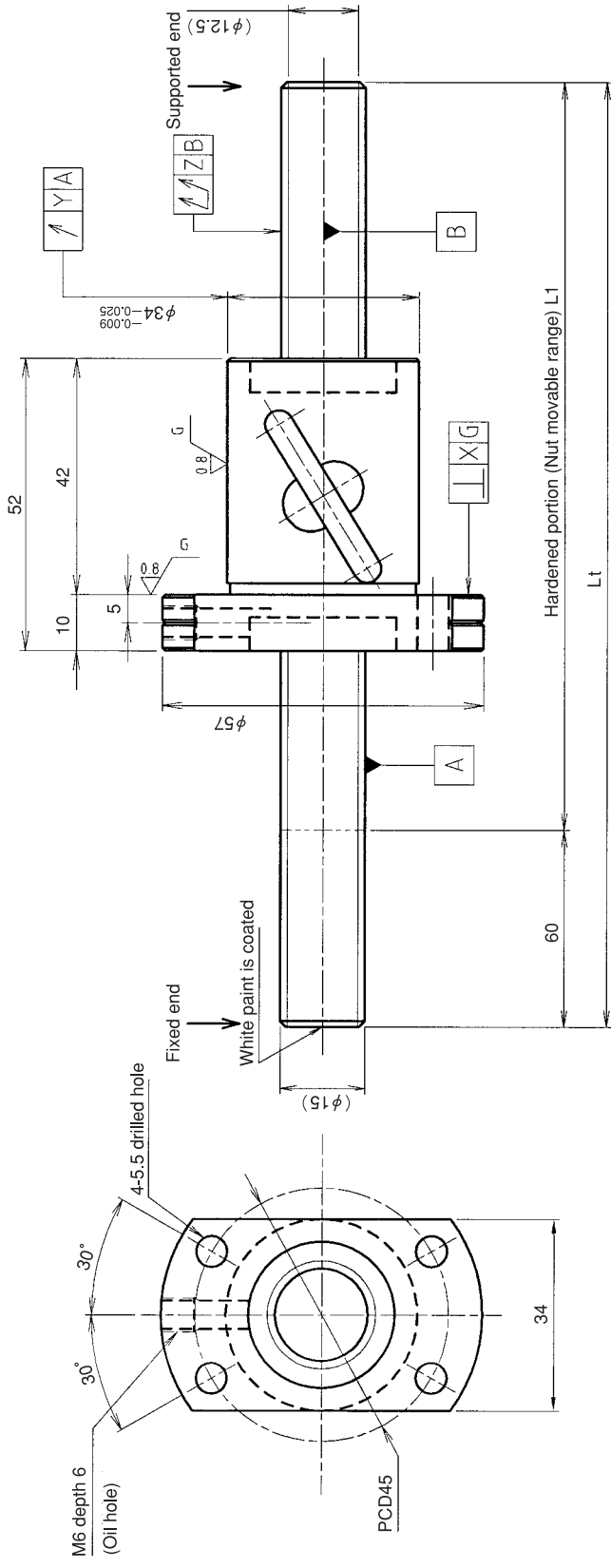


KURODA Standard Rolled Ball Screw:GW Series(Accuracy grade C7)

UNFINISHED SHAFT ENDS

Screw shaft diameter Ø15, Lead 10(U nut)

(Unit:mm)



Ball screw specifications

Screw shaft dia.	15	Basic dynamic load rating	5100N
Lead	10	Basic static load rating	10500N
Thread direction	Right-hand	Lubricant	Alvania Grease No.2
Number of circuits	2.5turn 1circuit	Surface treatment	Without
Ball diameter	3.175		

Table of optional specifications for each model

Additional machining of shaft end	Surface treatment(Note 1)	Difference of grease	Direction of nut	Wiper removal
○	○	○	○	○

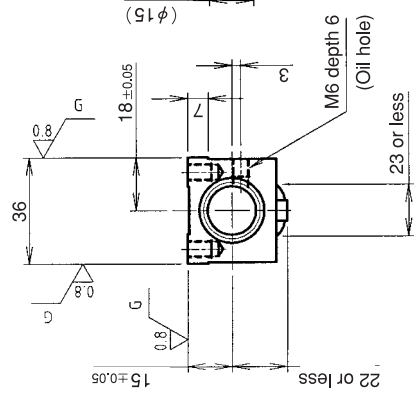
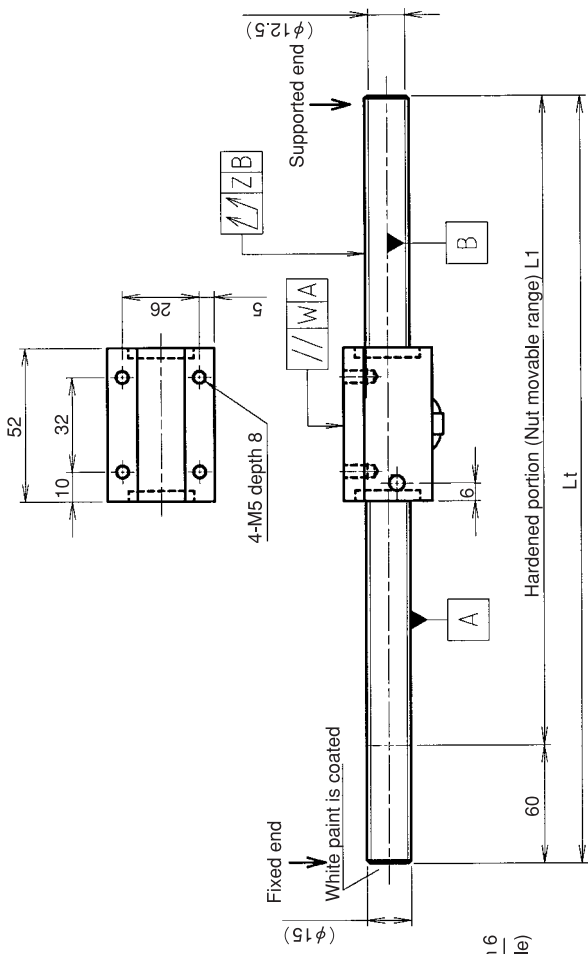
(Note 1) The above-mentioned surface treatment is LD treatment(coating thickness:1 to 2µm).

Model No.	Axial clearance	L ₁	L _t	X	Y	Z	Wiper
GW1510DS-HULR-0600A	-0.030	540	600	0.025	0.025	0.070	Lip seal
GW1510DS-HULR-1200A		1140	1200			0.170	

Notation of standard rolled ball screw
 •Standard length shaft without end machining
 GW1510DS-HULR-□□□□A
 •With end machining specified on your drawing
 GW1510DS-HULR-□□□□X□□□□-C7Y
 Overall length Thread length

UNFINISHED SHAFT ENDS Screw shaft diameter Ø15, Lead 10(K nut)

(Unit:mm)



Ball screw specifications

Screw shaft dia.	15	Basic dynamic load rating	5100N
Lead	10	Basic static load rating	10500N
Thread direction	Right-hand	Lubricant	Alvania Grease No.2
Number of circuits	2.5turn 1circuit	Surface treatment	Phosphate coating
Ball diameter	3.175		(Nut only)

Table of optional specifications for each model

Additional machining of shaft end	Surface treatment(Note 1)	Difference of grease	Direction of nut removal	Wiper
○	○	○	○	○

(Note 1) The above-mentioned surface treatment is LD treatment(coating thickness:1 to 2µm).

Model No.	Axial clearance	L ₁	L _t	W	Z	Wiper
GW1510DS-NKLR-0600A	-0.030	540	600	0.017	0.070	Lip seal
GW1510DS-NKLR-1200A		1140	1200		0.170	

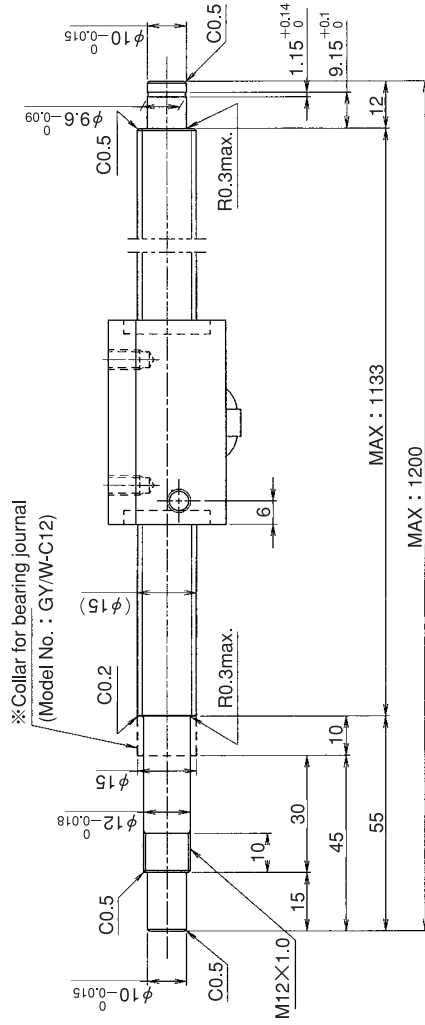
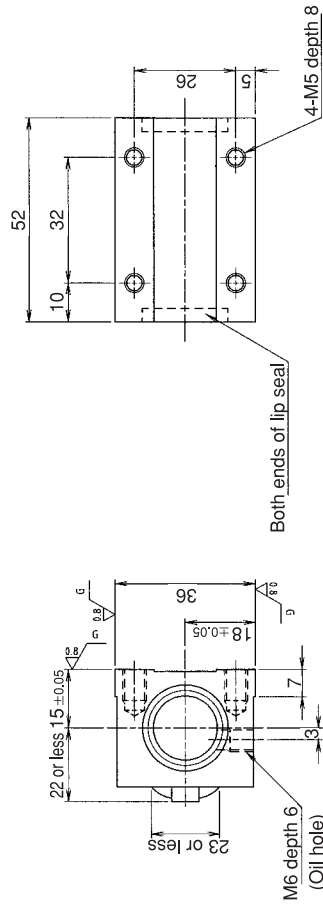
Notation of standard rolled ball screw
 •Standard length shaft without end machining
 GW1510DS-NKLR-□□□□A
 •With end machining specified on your drawing
 GW1510DS-NKLR-□□□□X□□□□-C7Y
 Overall length Thread length

SHAFT END FINISH ORDERING SHEET

Screw shaft diameter Ø15, Lead 10(K nut)

(Unit:mm)

GW1510DS-NKLR- X -C7Y



*Please place an order for collar separately.

Applicable Support Unit

Direct mount:BUK-12A(Fixed end unit+Supported end unit) Refer to Page.427

Circle flange:BUM-12(Fixed end unit+Supported end bearing) Refer to Page.434

Company Name		
Telephone		Name of Person in Charge
Company Address		