

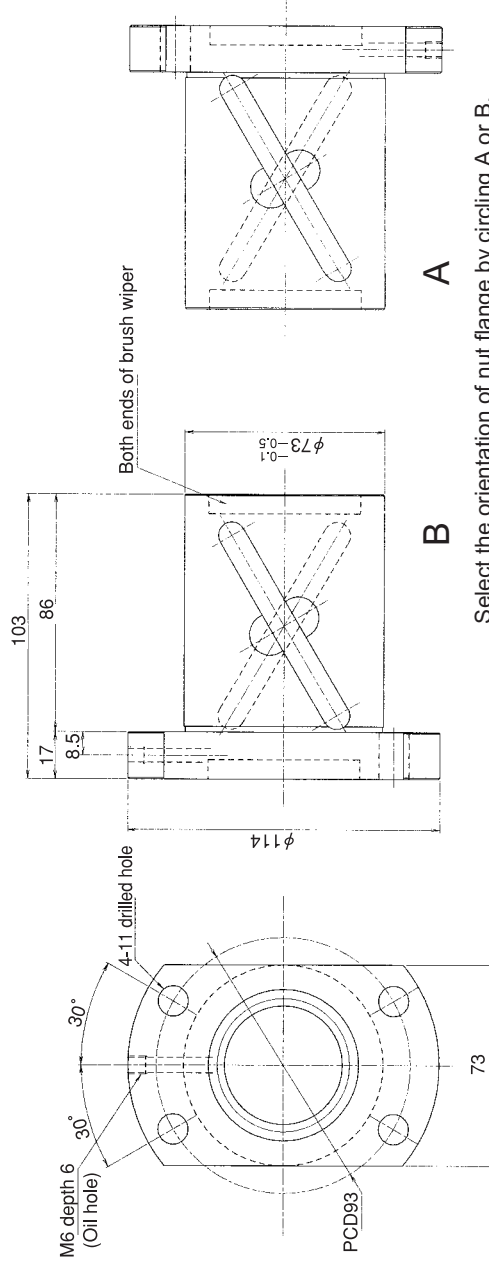


**SHAFT END FINISH ORDERING SHEET**

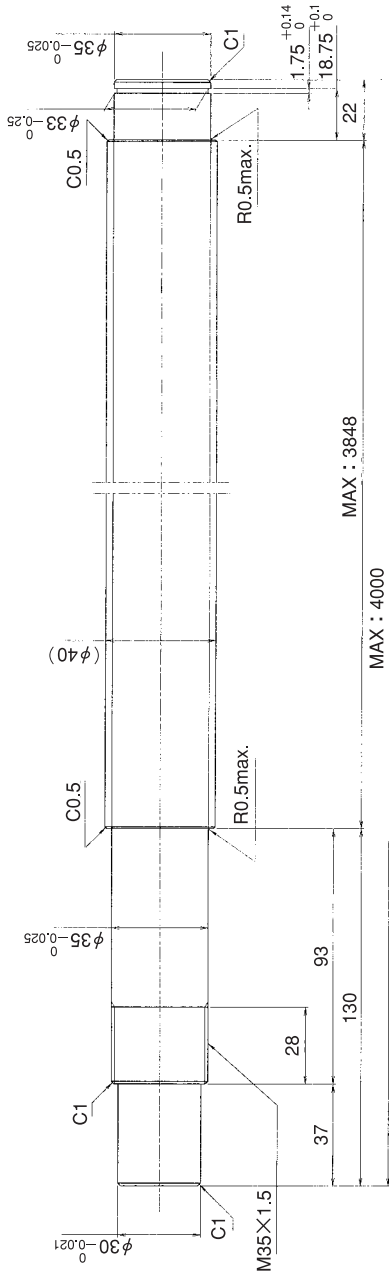
**Screw shaft diameter Ø40, Lead 40(U nut)**

(Unit:mm)

GY4040BS-HUBR-     X     -CAY



Select the orientation of nut flange by circling A or B.  
No marking means "B" orientation as default.



Applicable Support Unit  
BUT-35(Fixed end unit) Refer to Page.443

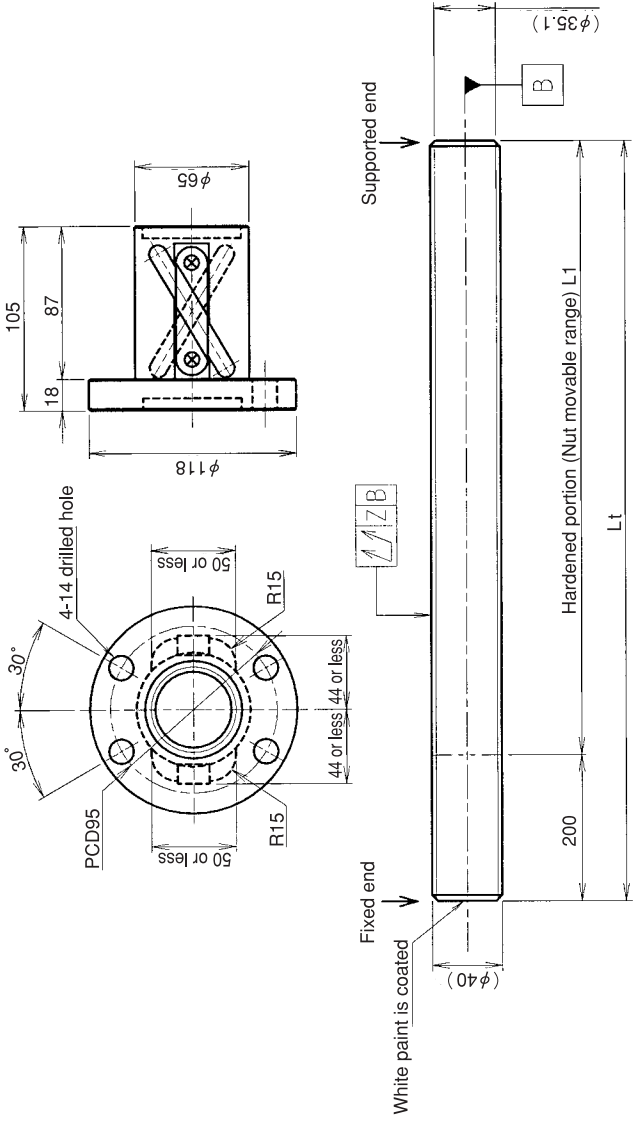
Company Name	
Telephone	Name of Person in Charge
Company Address	

**KURODA** Standard Rolled Ball Screw:GY Series(Accuracy grade C10)

**UNFINISHED SHAFT ENDS**

**Screw shaft diameter Ø40, Lead 40(T nut)**

(Unit:mm)



**Ball screw specifications**

Screw shaft dia.	40	Basic dynamic load rating	23900N
Lead	40	Basic static load rating	66900N
Thread direction	Right-hand	Lubricant	Alvania Grease No.2
Number of circuits	1.5turn 2circuit	Surface treatment	Phosphate coating
Ball diameter	6.350		

Model No.	Axial clearance	L <sub>1</sub>	L <sub>t</sub>	Z	Wiper
GY4040BS-CTBR-2000A		1800	2000	0.240	
GY4040BS-CTBR-3000A	-0.200	2800	3000	0.400	Brush wiper
GY4040BS-CTBR-4000A		3800	4000	0.640	

**Table of optional specifications for each model**

Additional machining of shaft end	Surface treatment(No.1)	Difference of grease	Direction of nut	Wiper removal
○	○	○	○	○

(Note 1) The above-mentioned surface treatment is LD treatment(coating thickness:1 to 2µm).

**Notation of standard rolled ball screw**

- Standard length shaft without end machining(Matched screw shaft and nut)  
GY4040BS-CTBR-□□□□A
- Nut only without screw shaft  
GY4040BS-CTBR
- Screw shaft only without end machining  
GY4040ZZ-ZZZZ-□□□□D

- With end machining specified on your drawing(Matched screw shaft and nut)  
GY4040BS-CTBR-□□□□X□□□□-CAY
- With end machining specified on your drawing (Screw shaft only)  
GY4040ZZ-ZZZZ-□□□□Y□□□□-CAY

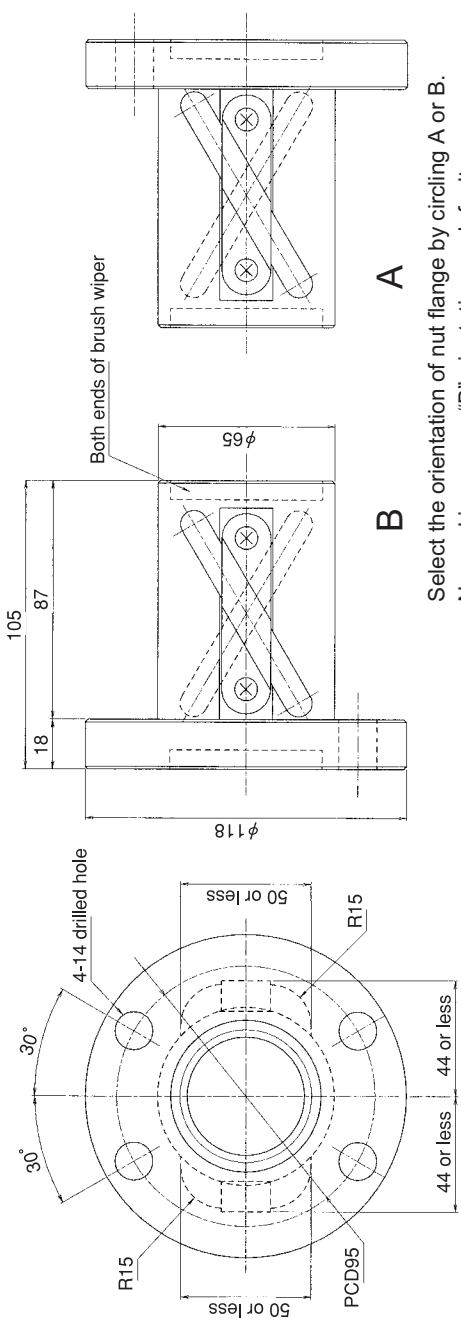
Overall length    Thread length

**SHAFT END FINISH ORDERING SHEET**

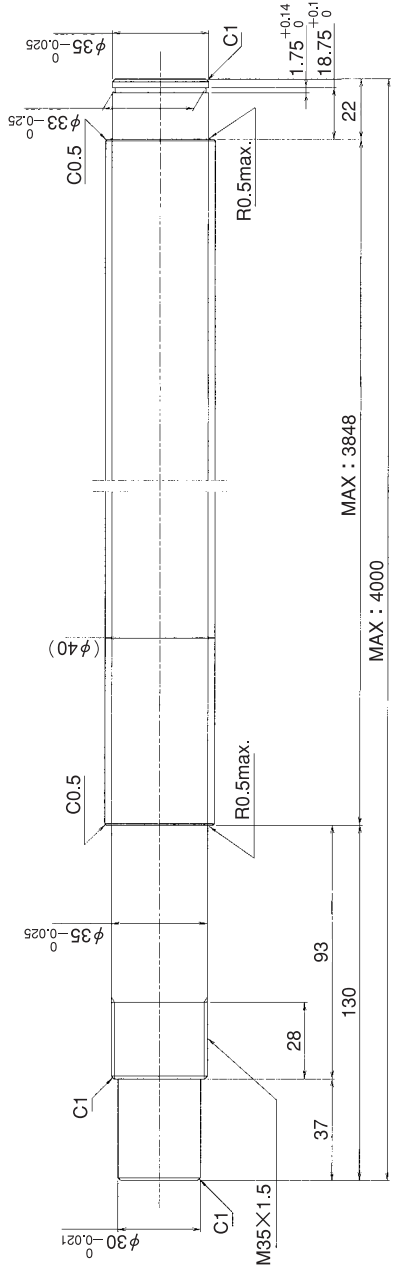
**Screw shaft diameter Ø40, Lead 40(T nut)**

(Unit:mm)

GY4040BS-CTBR-     X     -CAY



Select the orientation of nut flange by circling A or B.  
No marking means "B"orientation as default.



Applicable Support Unit  
BUT-35(Fixed end unit) Refer to Page.443

Company Name	
Telephone	Name of Person in Charge
Company Address	

Refer to page 24 for NOTATION OF MODEL NUMBER.