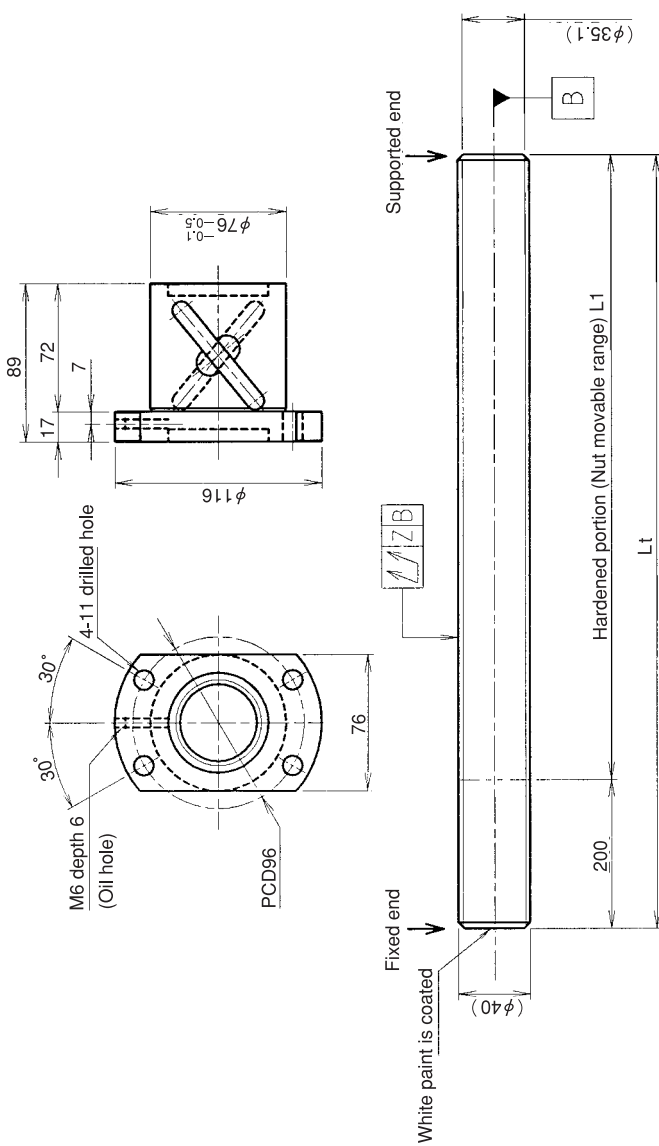


KURODA Standard Rolled Ball Screw:GY Series(Accuracy grade C10)

UNFINISHED SHAFT ENDS

(Unit:mm)



Ball screw specifications

Screw shaft dia.	40	Basic dynamic load rating	37100N
Lead	20	Basic static load rating	105600N
Thread direction	Right-hand	Lubricant	Alvania Grease No.2
Number of circuits	2.5turn 2circuit	Surface treatment	Phosphate coating
Ball diameter	6.350		

Model No.	Axial clearance	L ₁	L _t	Z	Wiper
GY4020ES-HUBR-2000A		1800	2000	0.240	
GY4020ES-HUBR-3000A	-0.200	2800	3000	0.400	Brush wiper
GY4020ES-HUBR-4000A		3800	4000	0.640	

Table of optional specifications for each model

Additional machining of shaft end	Surface treatment(No.1)	Difference of grease	Direction of nut	Wiper removal
○	○	○	○	○

(Note 1) The above-mentioned surface treatment is LD treatment(coating thickness:1 to 2µm).

Notation of standard rolled ball screw

- Standard length shaft, without end machining(Matched screw shaft and nut)
GY4020ES-HUBR-□□□□A
- Nut only without screw shaft
GY4020ES-HUBR
- Screw shaft only without end machining
GY4020ZZ-ZZZZ-□□□□D

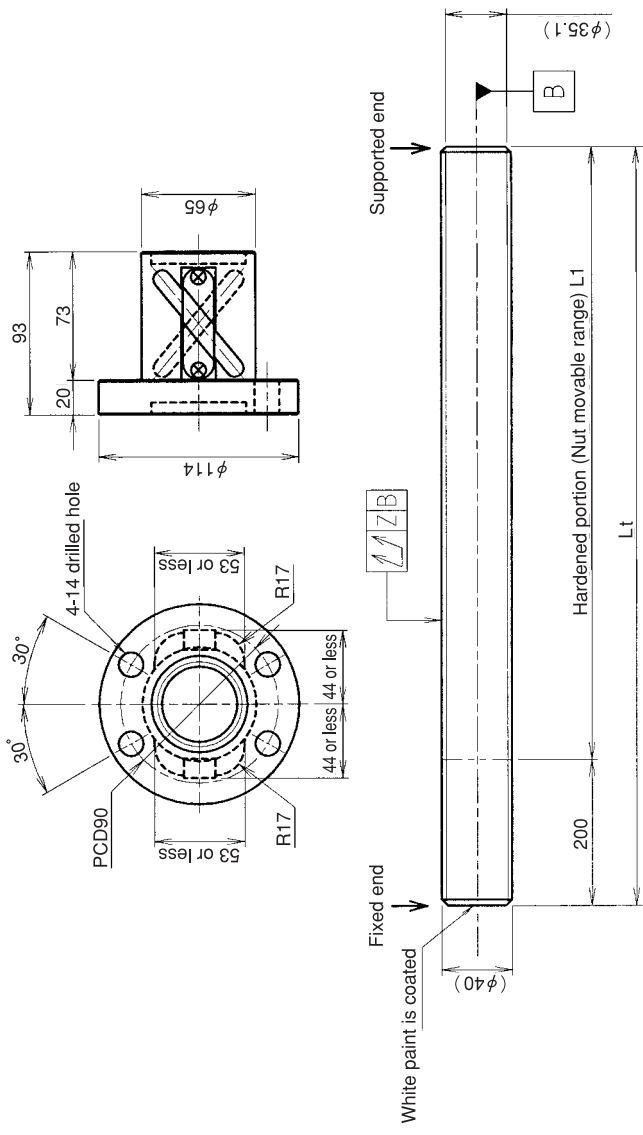
- With end machining specified on your drawing(Matched screw shaft and nut)
GY4020ES-HUBR-□□□□X□□□□-CAY
 - With end machining specified on your drawing (Screw shaft only)
GY4020ZZ-ZZZZ-□□□□Y□□□□-CAY
- Overall length Thread length

KURODA Standard Rolled Ball Screw:GY Series(Accuracy grade C10)

UNFINISHED SHAFT ENDS

Screw shaft diameter Ø40, Lead 20(T nut)

(Unit:mm)



Ball screw specifications

Screw shaft dia.	40	Basic dynamic load rating	37100N
Lead	20	Basic static load rating	105600N
Thread direction	Right-hand	Lubricant	Alvania Grease No.2
Number of circuits	2.5turn 2circuit	Surface treatment	Phosphate coating
Ball diameter	6.350		

Model No.	Axial clearance	L ₁	L _t	Z	Wiper
GY4020ES-CTBR-2000A		1800	2000	0.240	
GY4020ES-CTBR-3000A	-0.200	2800	3000	0.400	Brush wiper
GY4020ES-CTBR-4000A		3800	4000	0.640	

Table of optional specifications for each model

Additional machining of shaft end	Surface treatment(No.1)	Difference of grease	Direction of nut	Wiper removal
○	○	○	○	○

(Note 1) The above-mentioned surface treatment is LD treatment(coating thickness:1 to 2µm).

Notation of standard rolled ball screw

- Standard length shaft, without end machining(Matched screw shaft and nut)
GY4020ES-CTBR--A
- Nut only without screw shaft
GY4020ES-CTBR
- Screw shaft only without end machining
GY4020ZZ-ZZZZ--D

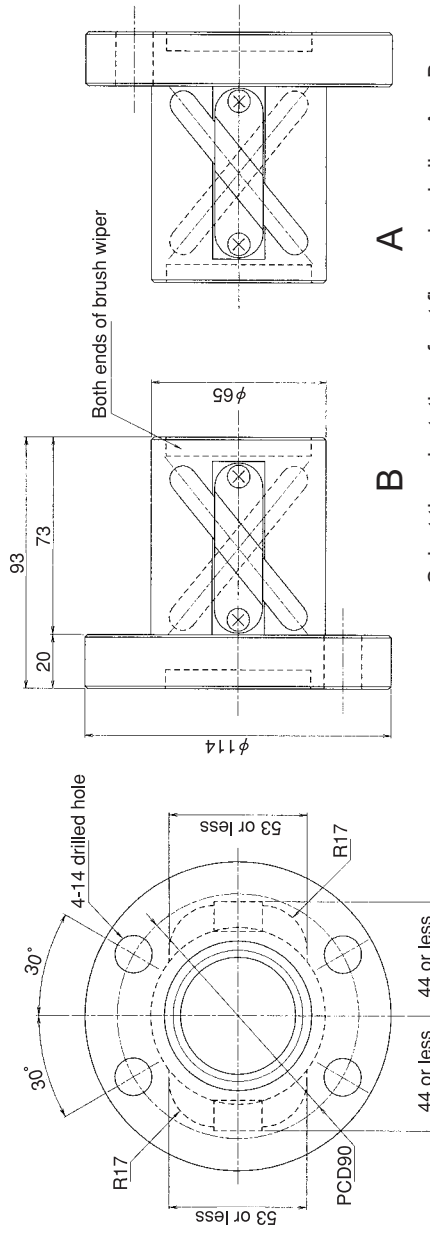
- With end machining specified on your drawing(Matched screw shaft and nut)
GY4020ES-CTBR-X--CAY
 - With end machining specified on your drawing (Screw shaft only)
GY4020ZZ-ZZZZ-Y--CAY
- Overall length Thread length

SHAFT END FINISH ORDERING SHEET

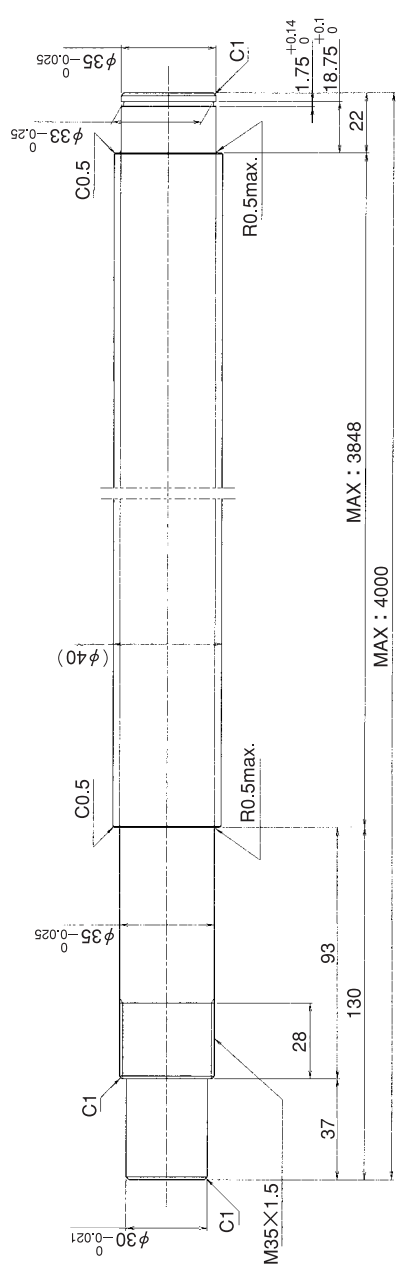
Screw shaft diameter Ø40, Lead 20(T nut)

(Unit:mm)

GY4020ES-CTBR- X -CAY



A
B
 Select the orientation of nut flange by circling A or B.
 No marking means "B" orientation as default.



Applicable Support Unit
 BUT-35(Fixed end unit) Refer to Page.443

Company Name		
Telephone		Name of Person in Charge
Company Address		