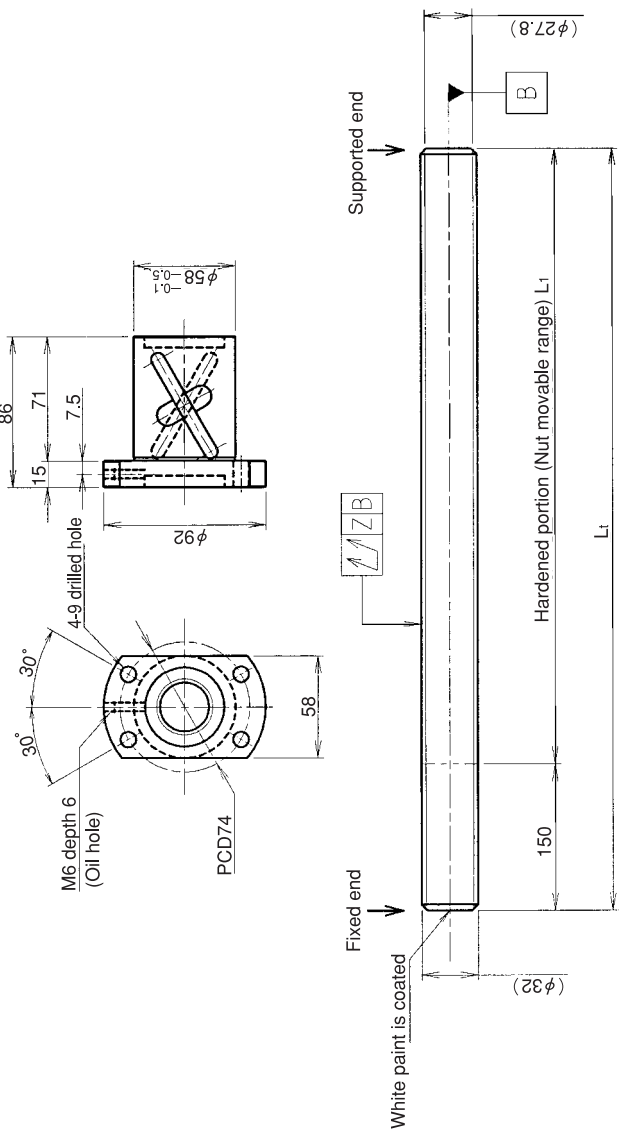


KURODA Standard Rolled Ball Screw:GY Series(Accuracy grade C10)

UNFINISHED SHAFT ENDS

Screw shaft diameter Ø32, Lead 32(U nut)

(Unit:mm)



Ball screw specifications

Screw shaft dia.	32	Basic dynamic load rating	14600N
Lead	32	Basic static load rating	38900N
Thread direction	Right-hand	Lubricant	Alvania Grease No.2
Number of circuits	1.5turn 2circuit	Surface treatment	Phosphate coating
Ball diameter	4.7625		

Model No.	Axial clearance	L ₁	L _t	Z	Wiper
GY3232BS-HUBR-1000A		850	1000	0.120	
GY3232BS-HUBR-2000A	-0.150	1850	2000	0.240	Brush wiper
GY3232BS-HUBR-3000A		2850	3000	0.640	

Table of optional specifications for each model

Additional machining of shaft end	Surface treatment(No.1)	Difference of grease	Direction of nut	Wiper removal
○	○	○	○	○

(Note 1) The above-mentioned surface treatment is LD treatment(coating thickness:1 to 2µm).

Notation of standard rolled ball screw

- Standard length shaft, without end machining(Matched screw shaft and nut)
GY3232BS-HUBR-□□□□A
- Nut only without screw shaft
GY3232BS-HUBR
- Screw shaft only without end machining
GY3232ZZ-ZZZZ-□□□□D

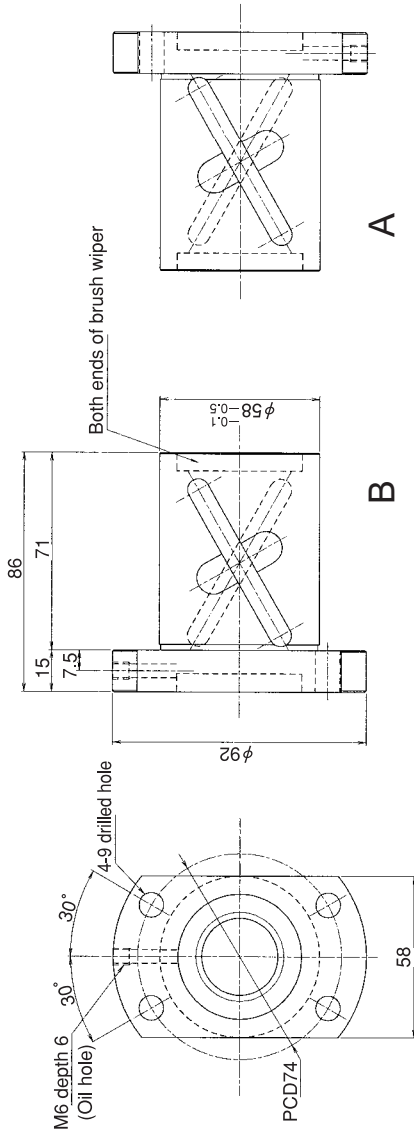
- With end machining specified on your drawing(Matched screw shaft and nut)
GY3232BS-HUBR-□□□□X□□□□-CAY
 - With end machining specified on your drawing (Screw shaft only)
GY3232ZZZ-ZZZZ-□□□□Y□□□□-CAY
- Overall length Thread length

SHAFT END FINISH ORDERING SHEET

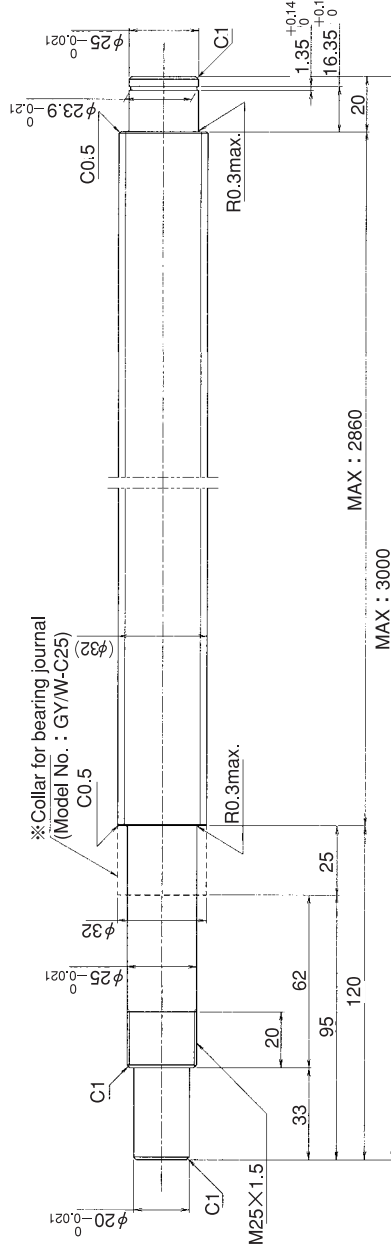
Screw shaft diameter Ø32, Lead 32(U nut)

(Unit:mm)

GY3232BS-HUBR- X -CAY



Select the orientation of nut flange by circling A or B.
No marking means "B" orientation as default.



*Please place an order for collar separately.

Applicable Support Unit

Direct mount:BUK-25A(Fixed end unit+Supported end unit) Refer to Page.430

Circle flange:BUM-25(Fixed end unit+Supported end bearing) Refer to Page.437

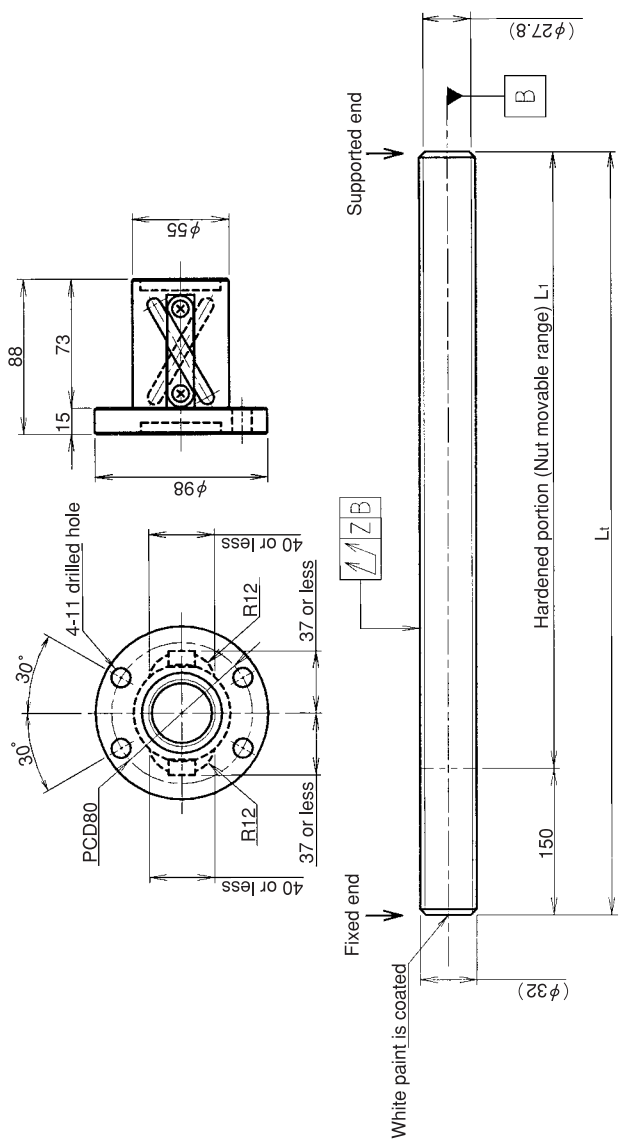
Company Name	
Telephone	Name of Person in Charge
Company Address	

KURODA Standard Rolled Ball Screw:GY Series(Accuracy grade C10)

UNFINISHED SHAFT ENDS

Screw shaft diameter Ø32, Lead 32(T nut)

(Unit:mm)



Ball screw specifications

Screw shaft dia.	32	Basic dynamic load rating	14600N
Lead	32	Basic static load rating	38900N
Thread direction	Right-hand	Lubricant	Alvania Grease No.2
Number of circuits	1.5turn 2circuit	Surface treatment	Phosphate coating
Ball diameter	4.7625		

Model No.	Axial clearance	L ₁	L _t	Z	Wiper
GY3232BS-CTBR-1000A		850	1000	0.120	
GY3232BS-CTBR-2000A	-0.150	1850	2000	0.240	Brush wiper
GY3232BS-CTBR-3000A		2850	3000	0.640	

Table of optional specifications for each model

Additional machining of shaft end	Surface treatment(No.1)	Difference of grease	Direction of nut	Wiper removal
○	○	○	○	○

(Note 1) The above-mentioned surface treatment is LD treatment(coating thickness:1 to 2µm).

Notation of standard rolled ball screw

- Standard length shaft without end machining(Matched screw shaft and nut)
GY3232BS-CTBR-□□□□A
- Nut only without screw shaft
GY3232BS-CTBR
- Screw shaft only without end machining
GY3232ZZ-ZZZZ-□□□□D

- With end machining specified on your drawing(Matched screw shaft and nut)
GY3232BS-CTBR-□□□□X□□□□-CAY
 - With end machining specified on your drawing (Screw shaft only)
GY3232ZZ-ZZZZ-□□□□Y□□□□-CAY
- Overall length Thread length

