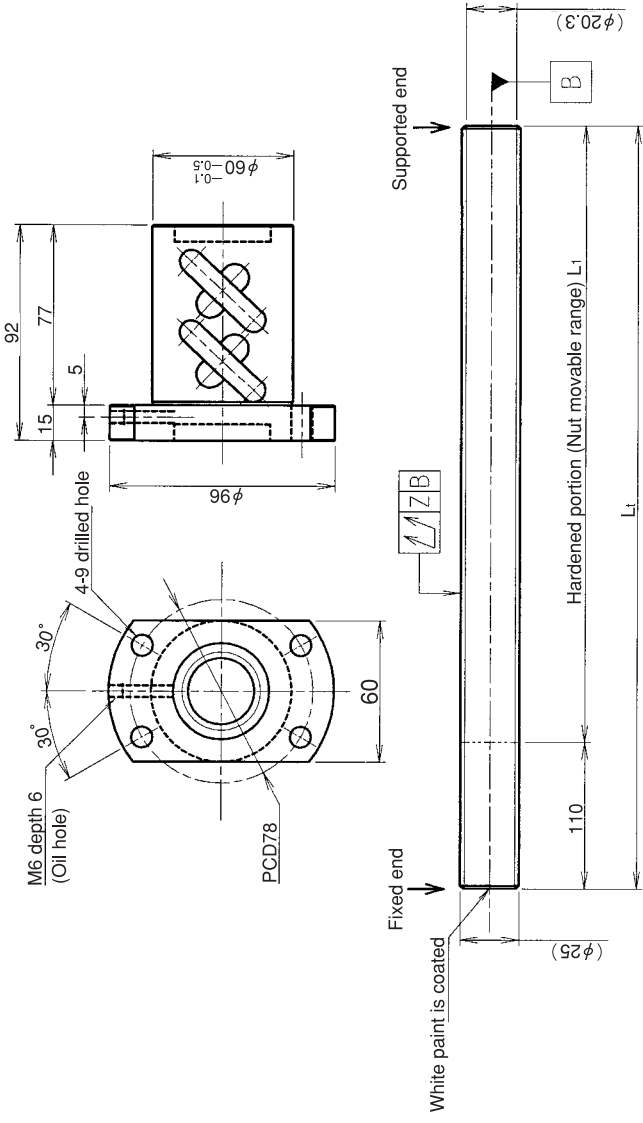


KURODA Standard Rolled Ball Screw:GY Series(Accuracy grade C10)

UNFINISHED SHAFT ENDS

Screw shaft diameter Ø25, Lead 10(U nut)

(Unit:mm)



Ball screw specifications

Screw shaft dia.	25	Basic dynamic load rating	27500N
Lead	10	Basic static load rating	76300N
Thread direction	Right-hand	Lubricant	Alvania Grease No.2
Number of circuits	2.5turn 2circuit	Surface treatment	Phosphate coating
Ball diameter	6.350		

Model No.	Axial clearance	L ₁	L _t	Z	Wiper
GY2510ES-HULR-1000A		890	1000	0.160	
GY2510ES-HULR-2000A	-0.200	1890	2000	0.400	Lip seal
GY2510ES-HULR-2500A		2390	2500	0.640	

Table of optional specifications for each model

Additional machining of shaft end	Surface treatment(No.1)	Difference of grease	Direction of nut	Wiper removal
O	O	O	O	O

(Note 1) The above-mentioned surface treatment is LD treatment(coating thickness:1 to 2µm).

Notation of standard rolled ball screw

- Standard length shaft without end machining(Matched screw shaft and nut)
GY2510ES-HULR-□□□□A
- Nut only without screw shaft
GY2510ES-HULR
- Screw shaft only without end machining
GY2510ZZ-ZZZZ-□□□□D

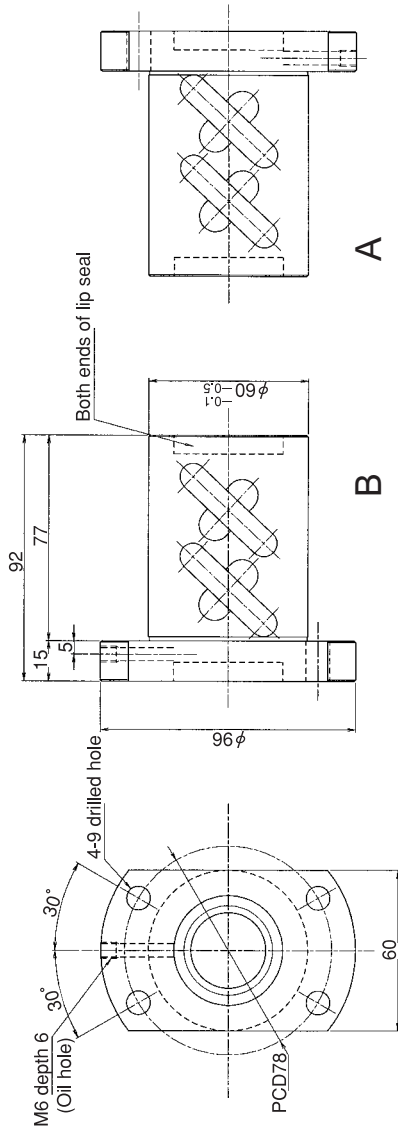
- With end machining specified on your drawing(Matched screw shaft and nut)
GY2510ES-HULR-□□□□X□□□□-CAY
 - With end machining specified on your drawing (Screw shaft only)
GY2510ZZ-ZZZZ-□□□□Y□□□□-CAY
- Overall length Thread length

SHAFT END FINISH ORDERING SHEET

Screw shaft diameter Ø25, Lead 10(U nut)

(Unit:mm)

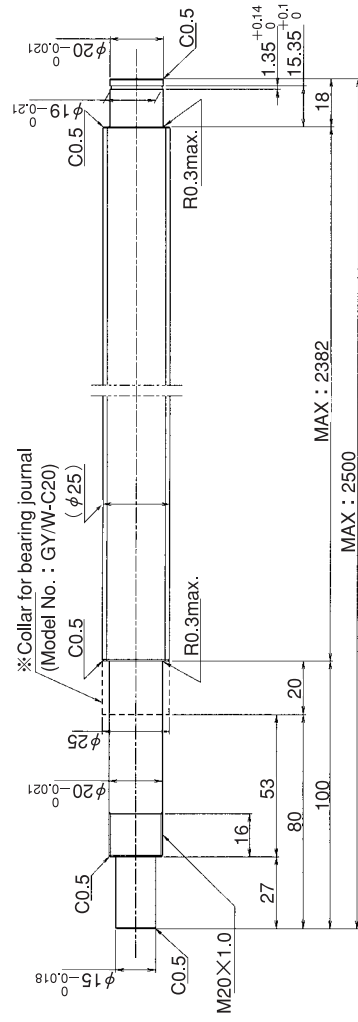
GY2510ES-HULR- X -CAY



A

B

Select the orientation of nut flange by circling A or B.
No marking means "B" orientation as default.



*Please place an order for collar separately.
Applicable Support Unit
Direct mount:BUK-20A(Fixed end unit+Supported end unit) Refer to Page.429
Circle flange:BUM-20(Fixed end unit+Supported end bearing) Refer to Page.436

Company Name	
Telephone	Name of Person in Charge
Company Address	

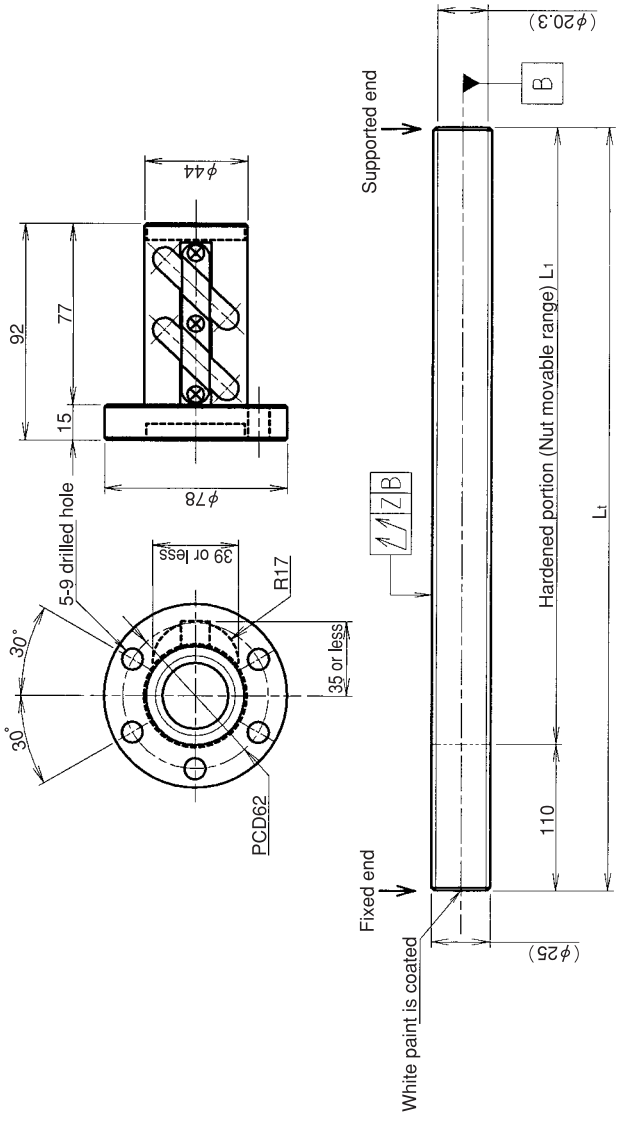
Refer to page 24 for NOTATION OF MODEL NUMBER.

KURODA Standard Rolled Ball Screw:GY Series(Accuracy grade C10)

UNFINISHED SHAFT ENDS

Screw shaft diameter Ø25, Lead 10(T nut)

(Unit:mm)



Ball screw specifications

Screw shaft dia.	25	Basic dynamic load rating	27500N
Lead	10	Basic static load rating	76300N
Thread direction	Right-hand	Lubricant	Alvania Grease No.2
Number of circuits	2.5turn 2circuit	Surface treatment	Phosphate coating
Ball diameter	6.350		

Model No.	Axial clearance	L ₁	L _t	Z	Wiper
GY2510ES-CTLR-1000A		890	1000	0.160	
GY2510ES-CTLR-2000A	-0.200	1890	2000	0.400	Lip seal
GY2510ES-CTLR-2500A		2390	2500	0.640	

Table of optional specifications for each model

Additional machining of shaft end	Surface treatment(No.1)	Difference of grease	Direction of nut	Wiper removal
○	○	○	○	○

(Note 1) The above-mentioned surface treatment is LD treatment(coating thickness:1 to 2µm).

Notation of standard rolled ball screw

- Standard length shaft without end machining(Matched screw shaft and nut)
GY2510ES-CTLR-□□□□A
- Nut only without screw shaft
GY2510ES-CTLR
- Screw shaft only without end machining
GY2510ZZ-ZZZZ-□□□□D

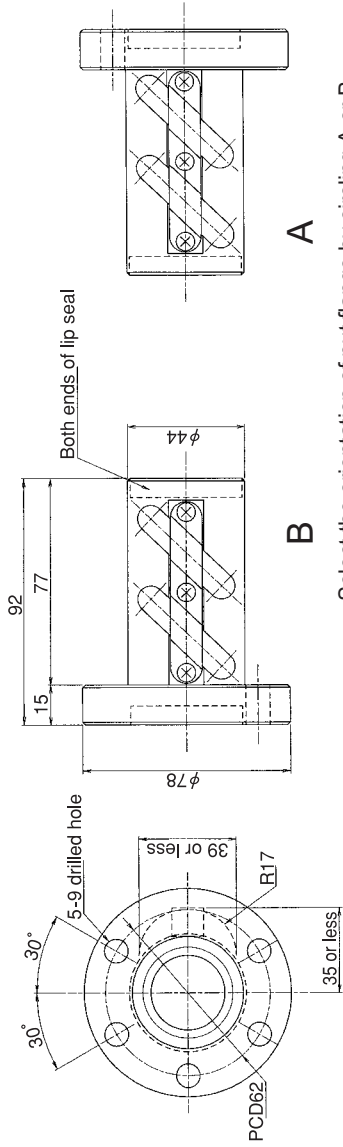
- With end machining specified on your drawing(Matched screw shaft and nut)
GY2510ES-CTLR-□□□□X□□□□-CAY
 - With end machining specified on your drawing (Screw shaft only)
GY2510ZZ-ZZZZ-□□□□Y□□□□-CAY
- Overall length Thread length

SHAFT END FINISH ORDERING SHEET

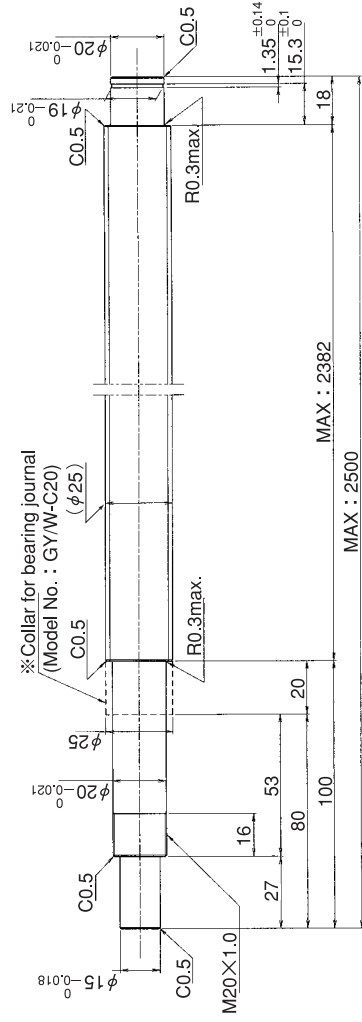
Screw shaft diameter Ø25, Lead 10(T nut)

GY2510ES-CTLR- X -CAY

(Unit:mm)



Select the orientation of nut flange by circling A or B.
No marking means "B" orientation as default.



※Collar for bearing journal
(Model No. : GY/W-C20)
(φ25)

*Please place an order for collar separately.

Applicable Support Unit

Direct mount:BUK-20A(Fixed end unit+Supported end unit) Refer to Page.429

Circle flange:BUM-20(Fixed end unit+Supported end bearing) Refer to Page.436

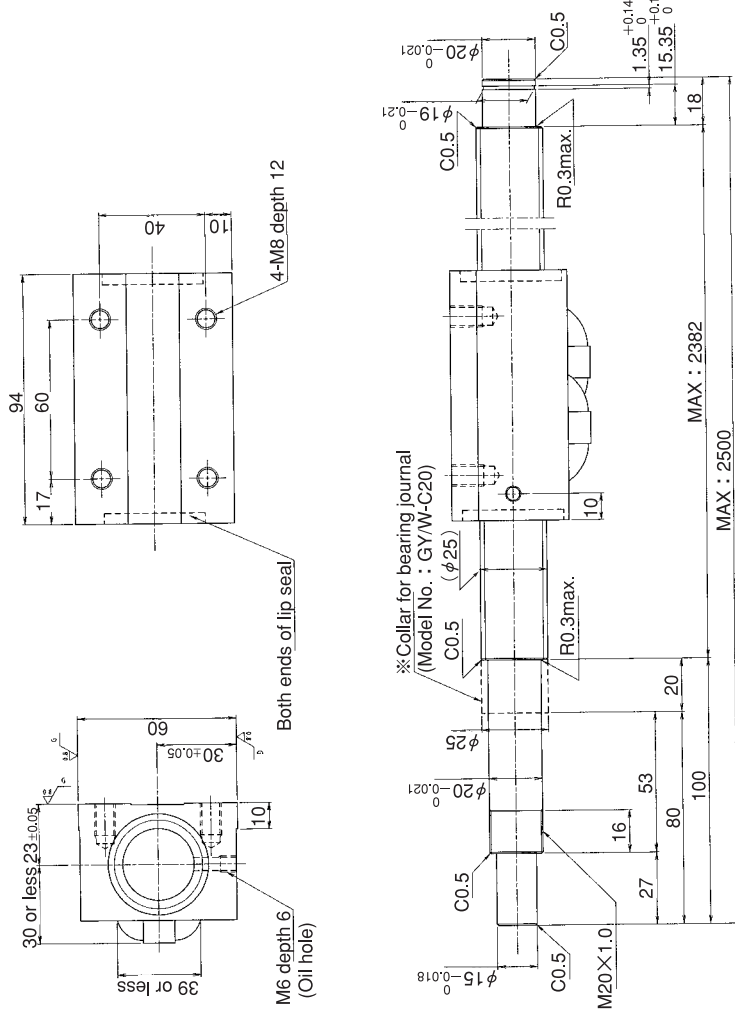
Company Name	
Telephone	Name of Person in Charge
Company Address	

SHAFT END FINISH ORDERING SHEET

Screw shaft diameter Ø25, Lead 10(K nut)

(Unit:mm)

GY2510ES-NKLR- X -CAY



*Please place an order for collar separately.

Applicable Support Unit

Direct mount:BUK-20A(Fixed end unit+Supported end unit) Refer to Page.429

Circle flange:BUM-20(Fixed end unit+Supported end bearing) Refer to Page.436

Company Name		
Telephone		
Company Address		
	Name of Person in Charge	

Refer to page 24 for NOTATION OF MODEL NUMBER.