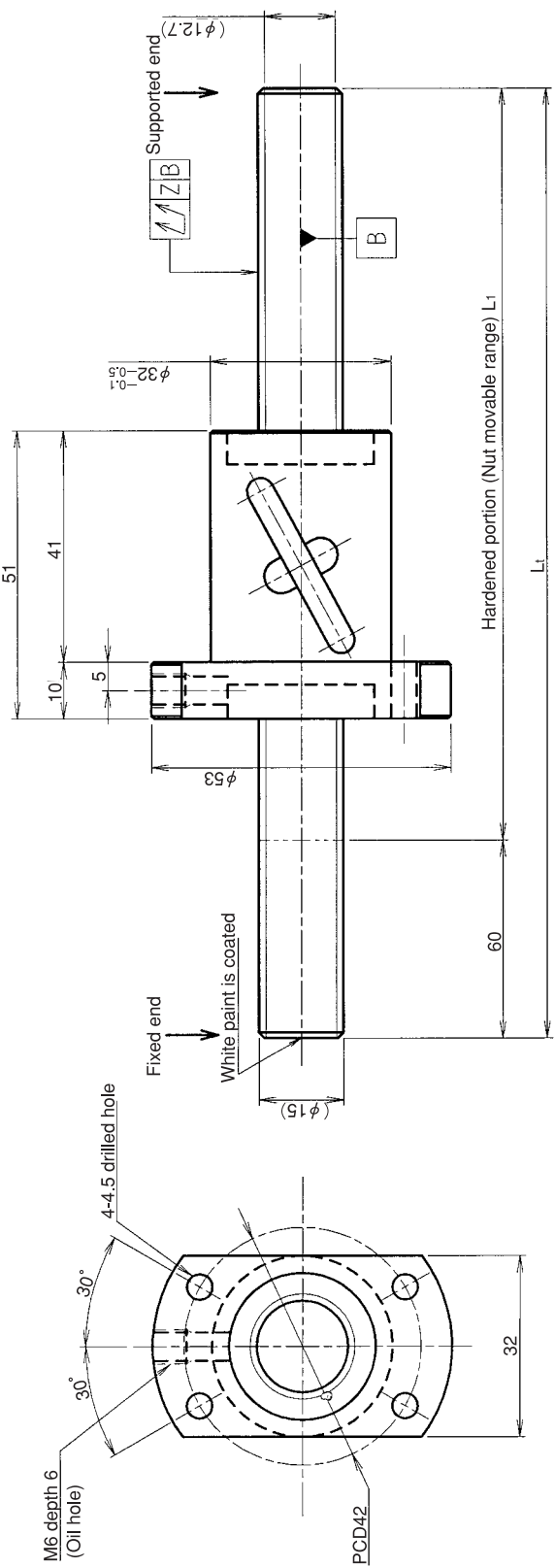


**KURODA** Standard Rolled Ball Screw:GY Series(Accuracy grade C10)

# UNFINISHED SHAFT ENDS

Screw shaft diameter  $\varnothing 15$ , Lead 16(U nut)

(Unit:mm)



**Ball screw specifications**

Screw shaft dia.	15	Basic dynamic load rating	4300N
Lead	16	Basic static load rating	10200N
Thread direction	Right-hand	Lubricant	Alvania Grease No.2
Number of circuits	1.5turn 2circuit	Surface treatment	Phosphate coating
Ball diameter	2.778		

**Table of optional specifications for each model**

Additional machining of shaft end	Surface treatment(No.1)	Difference of grease	Direction of nut	Wiper removal
O	O	O	O	O

(Note 1) The above-mentioned surface treatment is LD treatment(coating thickness:1 to 2µm).

Model No.	Axial clearance	L <sub>1</sub>	L <sub>t</sub>	Z	Wiper
GY1516BS-HULR-0600A	-0.100	540	600	0.140	Lip seal
GY1516BS-HULR-1200A		1140	1200	0.400	

**Notation of standard rolled ball screw**

- Standard length shaft, without end machining(Matched screw shaft and nut)  
GY1516BS-HULR-□□□□A
- Nut only without screw shaft  
GY1516BS-HULR
- Screw shaft only without end machining  
GY1516ZZ-ZZZZ-□□□□D

- With end machining specified on your drawing(Matched screw shaft and nut)  
GY1516BS-HULR-□□□□X□□□□-CAY
- With end machining specified on your drawing (Screw shaft only)  
GY1516ZZ-ZZZZ-□□□□Y□□□□-CAY

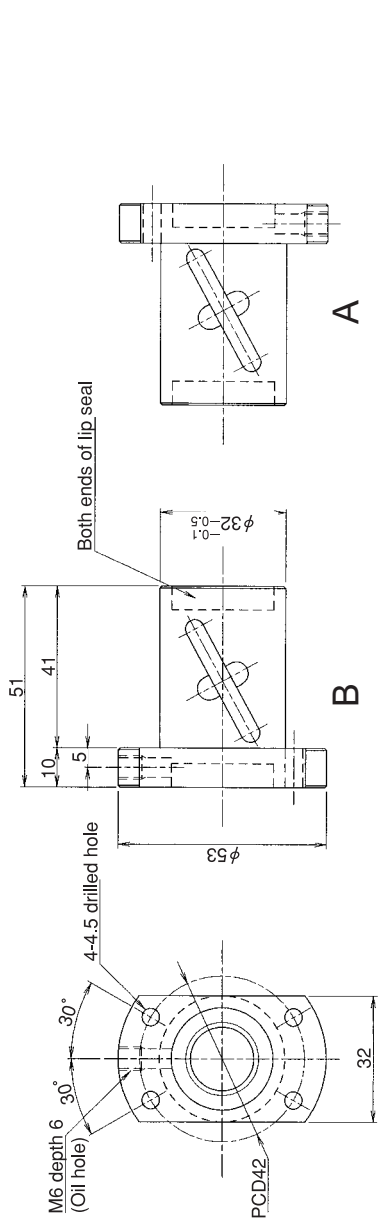
Overall length Thread length

**SHAFT END FINISH ORDERING SHEET**

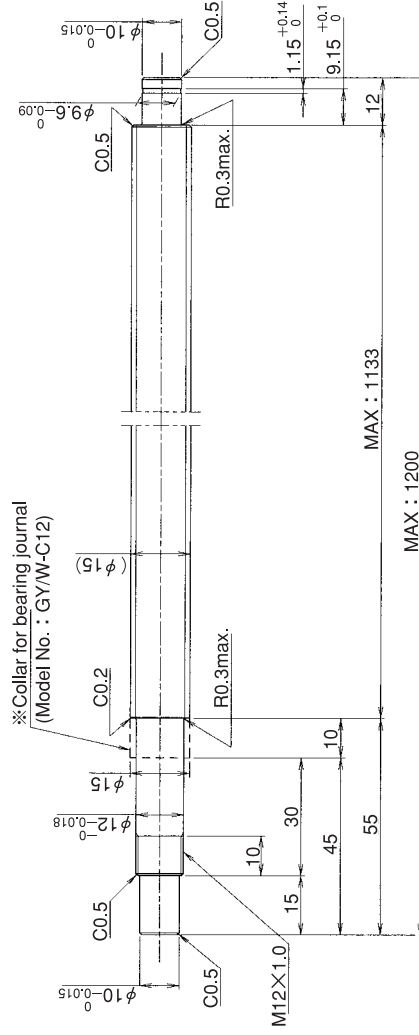
**Screw shaft diameter Ø15, Lead 16(U nut)**

GY1516BS-HULR-     X     -CAY

(Unit:mm)



Select the orientation of nut flange by circling A or B.  
No marking means "B" orientation as default.



\*Please place an order for collar separately.

Applicable Support Unit

Direct mount:BUK-12A(Fixed end unit+Supported end unit) Refer to Page.427

Circle flange:BUM-12(Fixed end unit+Supported end bearing) Refer to Page.434

Company Name	
Telephone	Name of Person in Charge
Company Address	