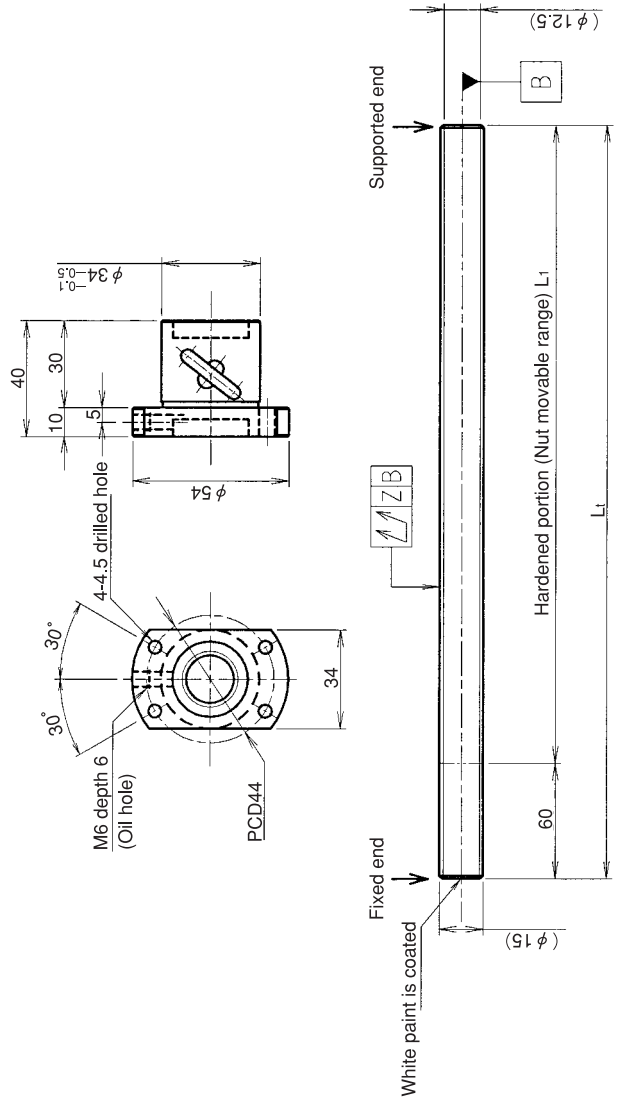


KURODA Standard Rolled Ball Screw:GY Series(Accuracy grade C10)

UNFINISHED SHAFT ENDS

Screw shaft diameter Ø15, Lead 5(U nut)

(Unit:mm)



Ball screw specifications

Screw shaft dia.	15	Basic dynamic load rating	5100N
Lead	5	Basic static load rating	10500N
Thread direction	Right-hand	Lubricant	Alvania Grease No.2
Number of circuits	2.5turn 1circuit	Surface treatment	Phosphate coating
Ball diameter	3.175		

Model No.	Axial clearance	L ₁	L _t	Z	Wiper
GY1505DS-HULR-0600A	-0.100	540	600	0.140	Lip seal
GY1505DS-HULR-1200A		1140	1200	0.400	

Table of optional specifications for each model

Additional machining of shaft end	Surface treatment(No.1)	Difference of grease	Direction of nut	Wiper removal
O	O	O	O	O

(Note 1) The above-mentioned surface treatment is LD treatment(coating thickness:1 to 2µm).

Notation of standard rolled ball screw

- Standard length shaft without end machining(Matched screw shaft and nut)
GY1505DS-HULR-□□□□A
- Nut only without screw shaft
GY1505DS-HULR
- Screw shaft only without end machining
GY1505ZZ-ZZZZ-□□□□D

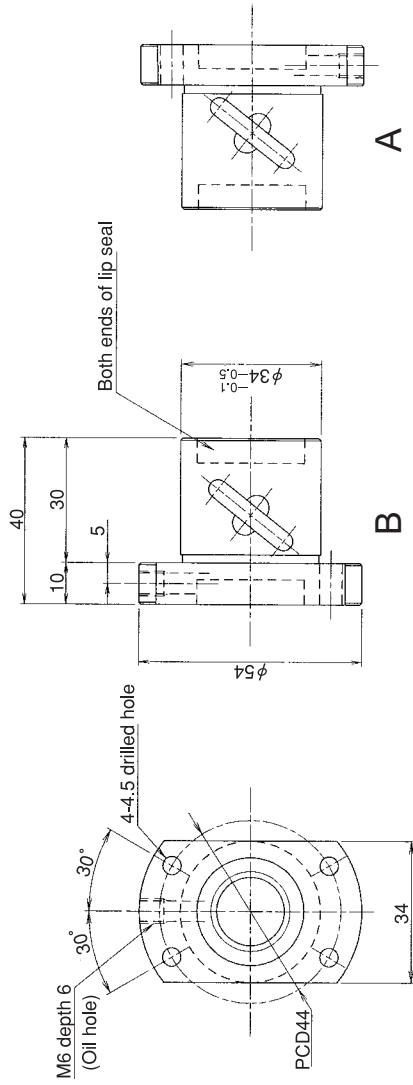
- With end machining specified on your drawing(Matched screw shaft and nut)
GY1505DS-HULR-□□□□X□□□□-CAY
 - With end machining specified on your drawing (Screw shaft only)
GY1505ZZ-ZZZZ-□□□□Y□□□□-CAY
- Overall length Thread length

SHAFT END FINISH ORDERING SHEET

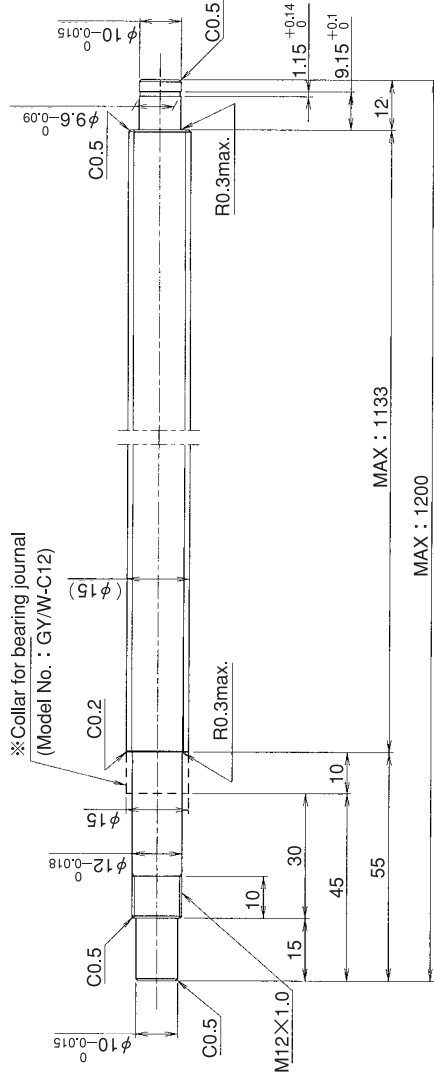
Screw shaft diameter Ø15, Lead 5(U nut)

(Unit:mm)

GY1505DS-HULR- X -CAY



Select the orientation of nut flange by circling A or B.
No marking means "B" orientation as default.



*Please place an order for collar separately.

Applicable Support Unit

Direct mount:BUK-12A(Fixed end unit+Supported end unit) Refer to Page.427

Circle flange:BUM-12(Fixed end unit+Supported end bearing) Refer to Page.434

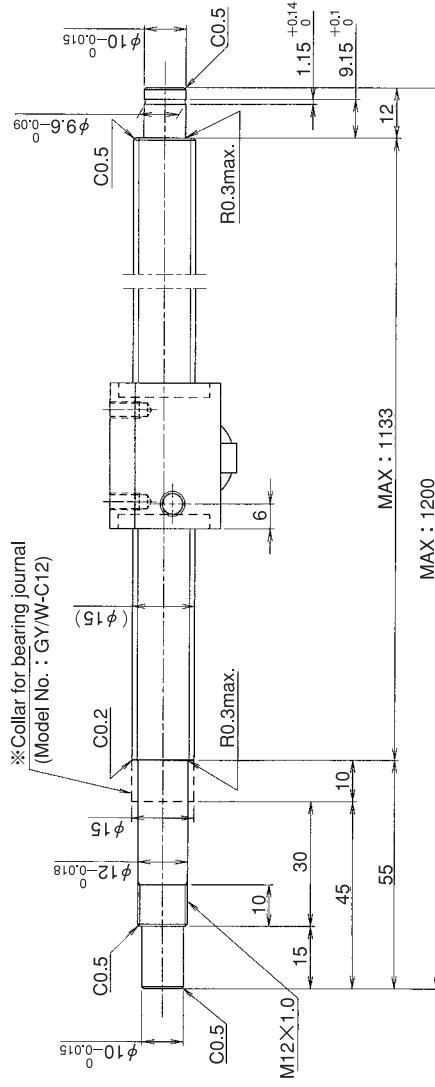
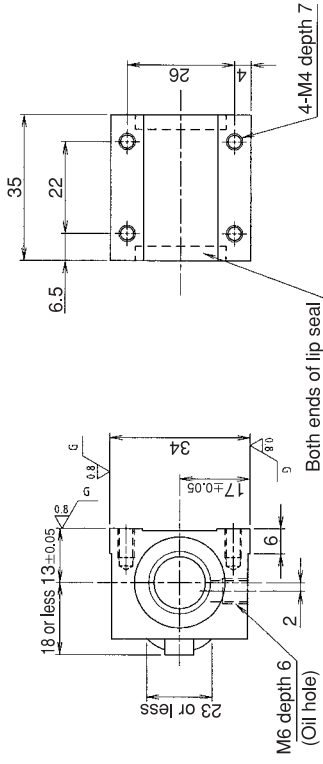
Company Name	
Telephone	Name of Person in Charge
Company Address	

SHAFT END FINISH ORDERING SHEET

Screw shaft diameter Ø15, Lead 5(K nut)

(Unit:mm)

GY1505DS-NKLR- X -CAY



*Please place an order for collar separately.

Applicable Support Unit

Direct mount:BUK-12A(Fixed end unit+Supported end unit) Refer to Page.427

Circle flange:BUM-12(Fixed end unit+Supported end bearing) Refer to Page.434

Company Name		
Telephone		
Company Address		
	Name of Person in Charge	