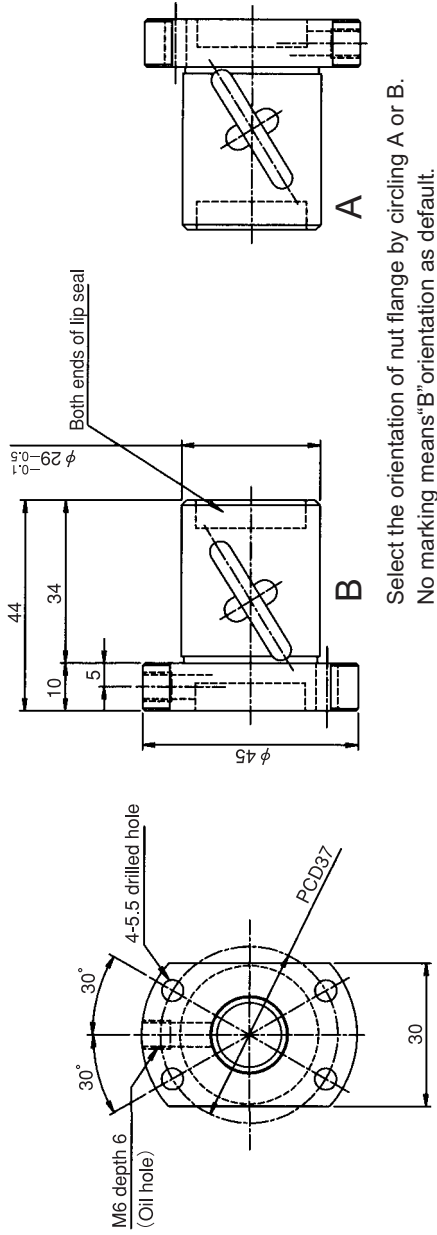


SHAFT END FINISH ORDERING SHEET

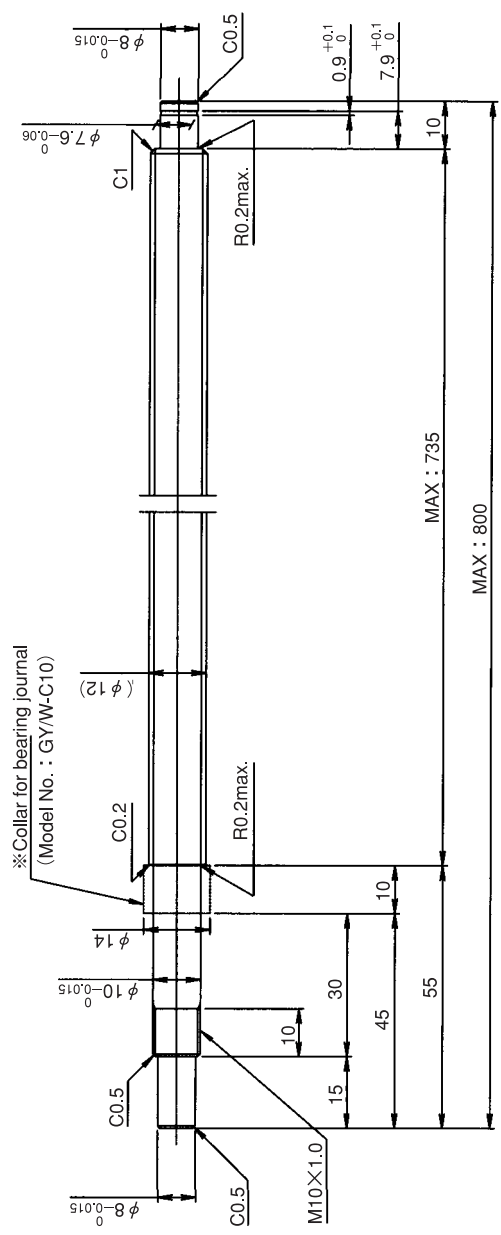
Screw shaft diameter Ø12, Lead 8(U nut)

(Unit:mm)

GY1208DS-HULR- X -CAY



Select the orientation of nut flange by circling A or B.
No marking means "B" orientation as default.



*Please place an order for collar separately.
Applicable Support Unit
Direct mount:BUK-10A(Fixed end unit+Supported end unit)Refer to Page.426
Circle flange:BUM-10(Fixed end unit+Supported end bearing)Refer to Page.433

Company Name	
Telephone	Name of Person in Charge
Company Address	

Refer to page 24 for NOTATION OF MODEL NUMBER.