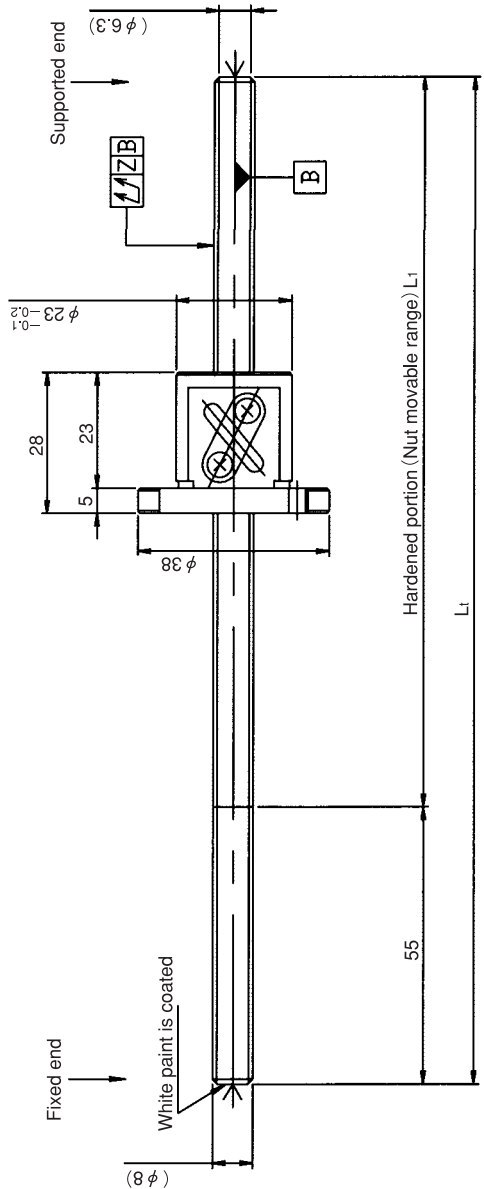


KURODA Standard Rolled Ball Screw:GY Series(Accuracy grade C10)

UNFINISHED SHAFT ENDS

Screw shaft diameter Ø8, Lead 8(M nut)

(Unit:mm)



Ball screw specifications

Screw shaft dia.	8	Basic dynamic load rating	1200N
Lead	8	Basic static load rating	1800N
Thread direction	Right-hand	Lubricant	Alvania Grease No.2
Number of circuits	1.5turn 1circuit	Surface treatment	Phosphate coating
Ball diameter	2.0000		

Model No.	Axial clearance	L ₁	L _t	Z	Wiper
GY0808AS-HANR-0200A	-0.050	145	200	0.080	Without
GY0808AS-HANR-0400A		345	400	0.200	

Table of optional specifications for each model

Additional machining of shaft end	Surface treatment(No.1)	Difference of grease	Direction of nut
○	○	○	○

(Note 1) The above-mentioned surface treatment is LD treatment(coating thickness:1 to 2μm).

Notation of standard rolled ball screw

- Standard length shaft without machining(Matched screw shaft and nut)
GY0808AS-HANR-□□□□A
- Nut only without screw shaft
GY0808AS-HANR
- Screw shaft only without end machining
GY0808ZZ-ZZZZ-□□□□D

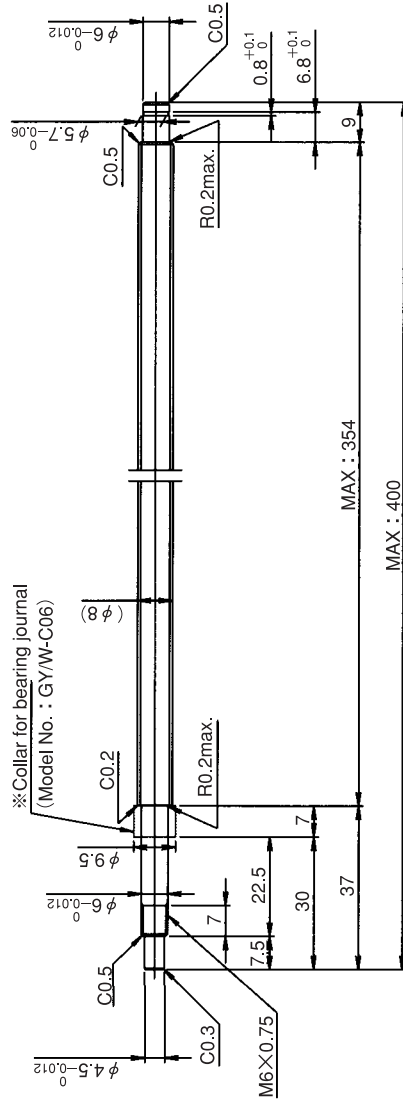
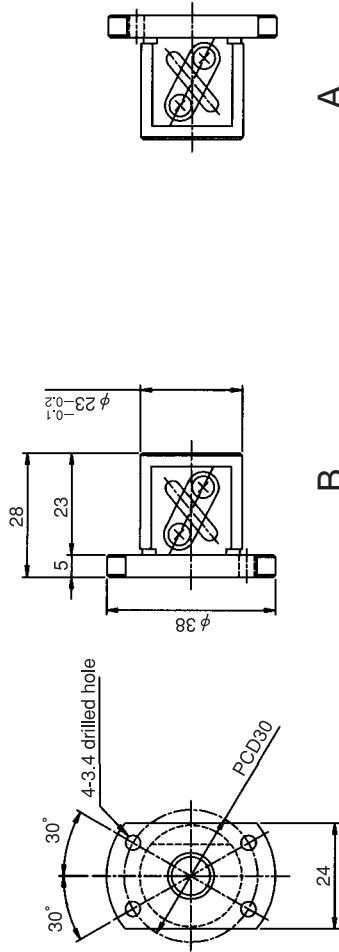
- With end machining specified on your drawing(Matched screw shaft and nut)
GY0808AS-HANR-□□□□X□□□□-CAY
 - With end machining specified on your drawing(Screw shaft only)
GY0808ZZ-ZZZZ-□□□□Y□□□□-CAY
- Overall length Thread length

SHAFT END FINISH ORDERING SHEET

Screw shaft diameter Ø8, Lead 8(M nut)

(Unit:mm)

GY0808AS-HANR- X -CAY



*Please place an order for collar separately.

Applicable Support Unit

Direct mount:BUK-6(Fixed end unit+Supported end bearing)Refer to Page.424

Circle flange:BUM-6(Fixed end unit+Supported end bearing)Refer to Page.431

Company Name	
Telephone	Name of Person in Charge
Company Address	