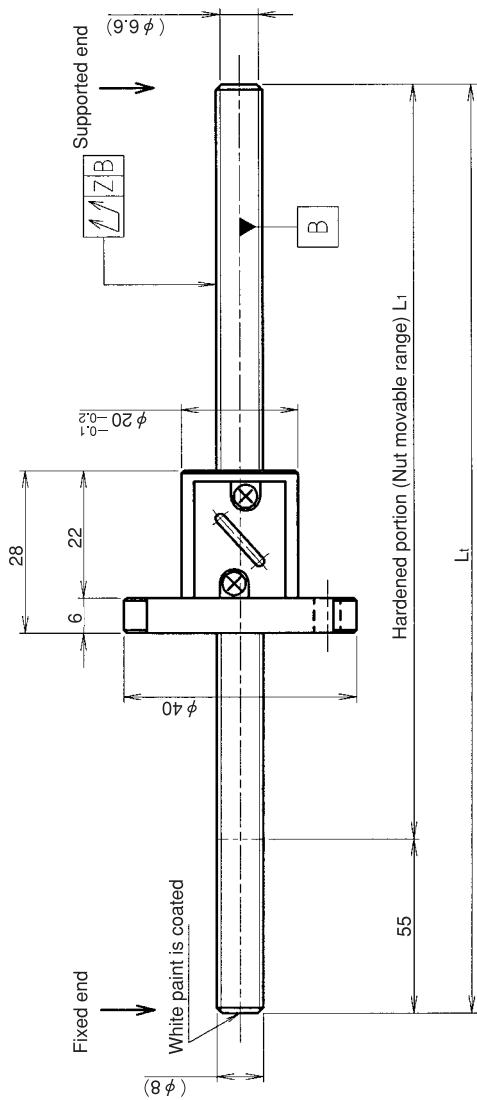


KURODA Standard Rolled Ball Screw:GY Series(Accuracy grade C10)

UNFINISHED SHAFT ENDS

Screw shaft diameter Ø8, Lead 2(M nut)

(Unit:mm)



Ball screw specifications

Screw shaft dia.	8	Basic dynamic load rating	1800N
Lead	2	Basic static load rating	3200N
Thread direction	Right-hand	Lubricant	Alvania Grease No.2
Number of circuits	3.5turn 1circuit	Surface treatment	Phosphate coating
Ball diameter	1.5875		

Model No.	Axial clearance	L ₁	L _t	Z	Wiper
GY0802GS-HG NR-0200A	-0.050	145	200	0.080	Without
GY0802GS-HG NR-0400A		345	400	0.200	

Table of optional specifications for each model

Additional machining of shaft end	Surface treatment(No.1)	Difference of grease	Direction of nut
○	○	○	○

(Note 1) The above-mentioned surface treatment is LD treatment(coating thickness:1 to 2μm).

Notation of standard rolled ball screw

- Standard length shaft, without end machining(Matched screw shaft and nut)
GY0802GS-HG NR-□□□□A
- Nut only without screw shaft
GY0802GS-HG NR
- Screw shaft only without end machining
GY0802ZZ-ZZZZ-□□□□D

- With end machining specified on your drawing(Matched screw shaft and nut)
GY0802GS-HG NR-□□□□X□□□□-CAY
- With end machining specified on your drawing (Screw shaft only)
GY0802ZZ-ZZZZ-□□□□Y□□□□-CAY

