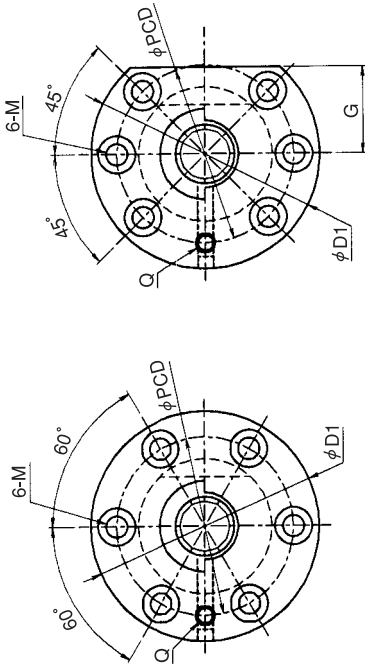


Deflector Method Integral Nut



(Unit:mm)

Flange type C

Flange type D

Model No.	Screw shaft diameter d	Lead L	Ball diameter Db	Root diameter dr	Number of circuits Turn/Circuit	Basic dynamic load rating C (N)	Basic static load rating Co (N)	Rigidity K _{rw} (N/μm)	Nut dimensions			Mounting hole						
									Outer diameter D	Overall length Lt	Wiper	Without wiper	Flange dimensions	Oil hole	PCD	Drill	Spot facing	Depth
									Thickness	T	Outer diameter	Type	G	Q	M	M	M	
GD1605JT-CDPR	16	5	3.1750	13.5	1X3	7700	14600	230	3	10	47	C	-	-	37	4.5	8	4.4
GD1605JT-DDPR	16	5	3.1750	13.5	1X3	7700	14600	230	3	10	47	D	18.5	-	37	4.5	8	4.4
GD2005JT-CDPR	20	5	3.1750	17.5	1X3	8900	18900	280	3	11	58	C	-	M6	46	5.5	9.5	5.4
GD2005JT-DDPR	20	5	3.1750	17.5	1X3	8900	18900	280	3	11	58	D	22.5	M6	46	5.5	9.5	5.4
GD2005KT-CDPR	20	5	3.1750	17.5	1X4	11400	25200	370	3	11	58	C	-	M6	46	5.5	9.5	5.4
GD2005KT-DDPR	20	5	3.1750	17.5	1X4	11400	25200	370	3	11	58	D	22.5	M6	46	5.5	9.5	5.4
GD2505JT-CDPR	25	5	3.1750	22.5	1X3	9850	23450	340	3	11	63	C	-	M6	51	5.5	9.5	5.4
GD2505JT-DDPR	25	5	3.1750	22.5	1X3	9850	23450	340	3	11	63	D	24	M6	51	5.5	9.5	5.4
GD3205JT-CDPR	32	5	3.1750	29.5	1X3	11300	31100	420	3	12	75	C	-	M6	61	6.6	11	6.5
GD3205JT-DDPR	32	5	3.1750	29.5	1X3	11300	31100	420	3	12	75	D	29	M6	61	6.6	11	6.5
GD3205KT-CDPR	32	5	3.1750	29.5	1X4	14500	41500	560	3	12	75	C	-	M6	61	6.6	11	6.5
GD3205KT-DDPR	32	5	3.1750	29.5	1X4	14500	41500	560	3	12	75	D	29	M6	61	6.6	11	6.5
GD3210JT-CDPR	32	10	6.3500	27.2	1X3	26900	58400	430	8	15	84	C	-	M6	66	9	14	8.6
GD3210JT-DDPR	32	10	6.3500	27.2	1X3	26900	58400	430	8	15	84	D	33	M6	66	9	14	8.6
GD4010JT-CDPR	40	10	6.3500	35.2	1X3	31300	80300	530	8	18	104	C	-	Rc1/8	82	11	17.5	10.8
GD4010JT-DDPR	40	10	6.3500	35.2	1X3	31300	80300	530	8	18	104	D	40	Rc1/8	82	11	17.5	10.8
GD4010KT-CDPR	40	10	6.3500	35.2	1X4	40100	100000	690	8	18	104	C	-	Rc1/8	82	11	17.5	10.8
GD4010KT-DDPR	40	10	6.3500	35.2	1X4	40100	100000	690	8	18	104	D	40	Rc1/8	82	11	17.5	10.8
GD5010JT-CDPR	50	10	6.3500	45.2	1X3	35700	98150	640	8	18	114	C	-	Rc1/8	92	11	17.5	10.8
GD5010JT-DDPR	50	10	6.3500	45.2	1X3	35700	98150	640	8	18	114	D	44	Rc1/8	92	11	17.5	10.8
GD5010KT-CDPR	50	10	6.3500	45.2	1X4	45700	130000	850	8	18	114	C	-	Rc1/8	92	11	17.5	10.8
GD5010KT-DDPR	50	10	6.3500	45.2	1X4	45700	130000	850	8	18	114	D	44	Rc1/8	92	11	17.5	10.8

Wiper material P:Plastics wiper

Refer to page 24 for NOTATION OF MODEL NUMBER.