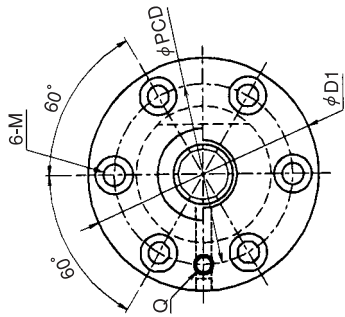


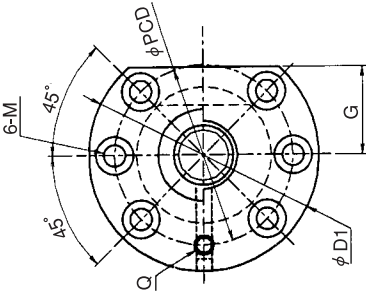
Deflector Method Single Nut

Screw shaft diameter Ø6-Ø20

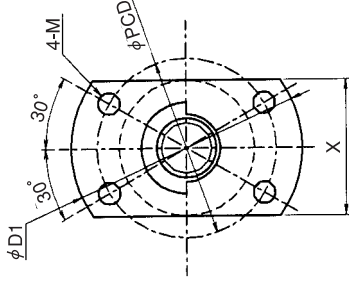
(Unit:mm)



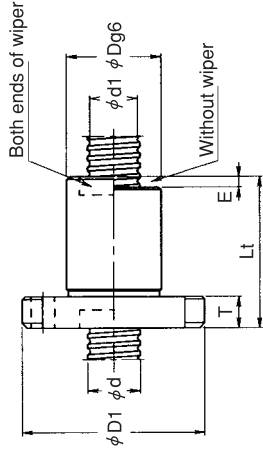
Flange type C



Flange type D



Flange type H



Model No.	Screw shaft diameter d	Lead L	Ball diameter D _b	Root diameter d ₁	Number of circuits Turn/Circuit	Basic dynamic load rating C (N)	Basic static load rating C ₀ (N)	Rigidity K _{NS} (N/µm)	Outer diameter D	Overall length Lt	Wiper	Without wiper	Nut dimensions									
													Flange dimensions			Oil hole			Mounting hole			
													Thickness	Outer diameter	Type	X	G	Q	PCD	Drill	M	Depth
GD0601JS-HDNR	6	1	0.8000	5.3	1X3	550	1150	50	10	14.5	N	-	3.5	22	H	14	-	16	3.4	-	-	
GD0801JS-HDNR	8	1	0.8000	7.3	1X3	650	1600	60	12	15	N	-	4	25	H	16	-	19	3.4	-	-	
GD0802JS-HDNR	8	2	1.2000	7.0	1X3	1350	2300	60	14	21	N	-	4	27	H	17	-	21	3.4	-	-	
GD1002JS-HDNR	10	2	1.2000	9.0	1X3	1550	3000	70	16	22	N	-	5	33	H	21	-	25	4.5	-	-	
GD1202JS-HDNR	12	2	1.2000	11.0	1X3	1650	3600	85	18	22	N	-	5	35	H	22	-	27	4.5	-	-	
GD1203JS-HDPR	12	3	2.0000	10.3	1X3	3450	6100	100	21	36	P	3	5	38	H	23	-	30	4.5	-	-	
GD1605JS-CDPR	16	5	3.1750	13.5	1X3	7700	14600	120	28	47	P	3	10	47	C	-	-	M6	37	4.5	8	4.4
GD1605JS-DDPR	16	5	3.1750	13.5	1X3	7700	14600	120	28	47	P	3	10	47	D	-	18.5	M6	37	4.5	8	4.4
GD2005JS-CDPR	20	5	3.1750	17.5	1X3	8900	18900	150	35	46	P	3	11	58	C	-	-	M6	46	5.5	9.5	5.4
GD2005JS-DDPR	20	5	3.1750	17.5	1X3	8900	18900	150	35	46	P	3	11	58	D	-	22.5	M6	46	5.5	9.5	5.4
GD2005KS-CDPR	20	5	3.1750	17.5	1X4	11400	25200	200	35	51	P	3	11	58	C	-	-	M6	46	5.5	9.5	5.4
GD2005KS-DDPR	20	5	3.1750	17.5	1X4	11400	25200	200	35	51	P	3	11	58	D	-	22.5	M6	46	5.5	9.5	5.4
GD2010JS-CDPR	20	10	3.9688	16.6	1X3	10000	19000	150	35	63	P	3	11	58	C	-	-	M6	46	5.5	9.5	5.4
GD2010JS-DDPR	20	10	3.9688	16.6	1X3	10000	19000	150	35	63	P	3	11	58	D	-	22.5	M6	46	5.5	9.5	5.4

Wiper material N:Without wiper P:Plastics wiper