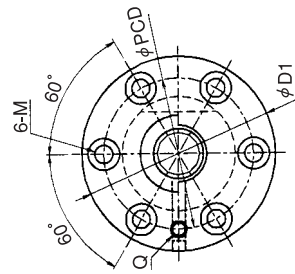


**KURODA** Customized Ground Ball Screw:GR Series(Accuracy grade C0-C10)

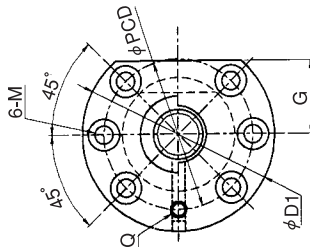
### Tube Method Double Nut

Screw shaft diameter  $\varnothing 70$

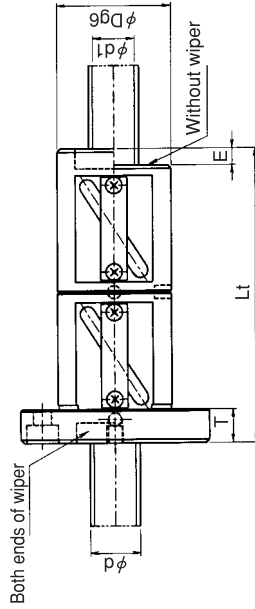
(Unit:mm)



Flange type C



Flange type D



Model No.	Screw shaft diameter d	Lead L	Ball diameter Db	Root diameter d1	Number of circuits Turn/Circuit	Basic dynamic load rating C (N)	Basic static load rating Co (N)	Rigidity K <sub>rw</sub> (N/μm)	Nut dimensions				Mounting hole				
									Flange dimensions		Oil hole		Drill	M Spot facing	Depth		
									Thickness	Outer diameter	Type	G				Q	PCD
GR7010ED-CAPR	70	10	6.3500	65.2	2.5X2	69100	252100	1400	T 22	D <sub>1</sub> 166	C	-	Rc1/8	142	14	20	13
GR7010ED-DAPR	70	10	6.3500	65.2	2.5X2	69100	252100	1400	E 7	Without wiper	D	63	Rc1/8	142	14	20	13
GR7010FD-CAPR	70	10	6.3500	65.2	2.5X3	97900	378200	2020	P 7	Without wiper	C	-	Rc1/8	142	14	20	13
GR7010FD-DAPR	70	10	6.3500	65.2	2.5X3	97900	378200	2020	P 7	Without wiper	D	63	Rc1/8	142	14	20	13
GR7012ED-CAPR	70	12	7.9375	63.8	2.5X2	93400	312700	1440	P 7	Without wiper	C	-	Rc1/8	146	14	20	13
GR7012ED-DAPR	70	12	7.9375	63.8	2.5X2	93400	312700	1440	E 7	Without wiper	D	64	Rc1/8	146	14	20	13
GR7012FD-CAPR	70	12	7.9375	63.8	2.5X3	132400	469100	2070	P 7	Without wiper	C	-	Rc1/8	146	14	20	13
GR7012FD-DAPR	70	12	7.9375	63.8	2.5X3	132400	469100	2070	E 7	Without wiper	D	64	Rc1/8	146	14	20	13
GR7016ED-CAPR	70	16	9.5250	62.6	2.5X2	152100	508000	1570	P 13	Without wiper	C	-	Rc1/8	158	18	26	17.5
GR7016ED-DAPR	70	16	9.5250	62.6	2.5X2	152100	508000	1570	E 13	Without wiper	D	72	Rc1/8	158	18	26	17.5
GR7016FD-CAPR	70	16	9.5250	62.6	2.5X3	215600	762000	2330	P 13	Without wiper	C	-	Rc1/8	158	18	26	17.5
GR7016FD-DAPR	70	16	9.5250	62.6	2.5X3	215600	762000	2330	E 13	Without wiper	D	72	Rc1/8	158	18	26	17.5
GR7020ED-CAPR	70	20	9.5250	62.6	2.5X2	152100	508000	1580	P 13	Without wiper	C	-	Rc1/8	158	18	26	17.5
GR7020ED-DAPR	70	20	9.5250	62.6	2.5X2	152100	508000	1580	E 13	Without wiper	D	72	Rc1/8	158	18	26	17.5
GR7020FD-CAPR	70	20	9.5250	62.6	2.5X3	215600	762000	2340	P 13	Without wiper	C	-	Rc1/8	158	18	26	17.5
GR7020FD-DAPR	70	20	9.5250	62.6	2.5X3	215600	762000	2340	E 13	Without wiper	D	72	Rc1/8	158	18	26	17.5

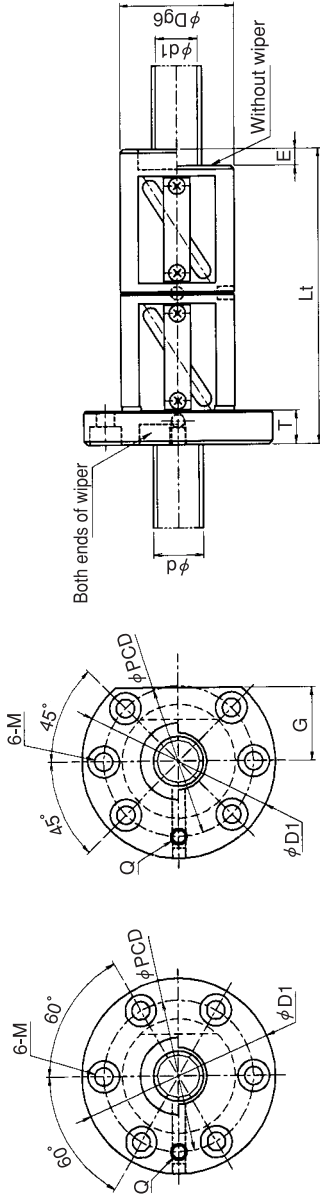
Wiper material P:Plastics wiper

Refer to page 24 for NOTATION OF MODEL NUMBER.

**Tube Method Double Nut**

**Screw shaft diameter Ø80**

(Unit:mm)



Flange type D

Flange type C

Model No.	Screw shaft diameter d	Lead L	Ball diameter Db	Root diameter di	Number of circuits Turn/Circuit	Basic dynamic load rating C (N)	Basic static load rating Co (N)	Rigidity K <sub>sw</sub> (N/μm)	Nut dimensions												
									Outer diameter D	Overall length Lt	Wiper E	Without wiper E	Flange dimensions			Mounting hole					
													Thickness T	Outer diameter D <sub>1</sub>	Type	G	Oil hole Q	PCD	Drill	Spot facing	Depth
GR8010ED-CAPR	80	10	6.3500	75.2	2.5X2	73100	289100	1570	130	183	P	7	22	176	C	-	Rc1/8	152	14	20	13
GR8010ED-DAPR	80	10	6.3500	75.2	2.5X2	73100	289100	1570	130	183	P	7	22	176	D	66	Rc1/8	152	14	20	13
GR8010FD-CAPR	80	10	6.3500	75.2	2.5X3	103700	433700	2260	130	243	P	7	22	176	C	-	Rc1/8	152	14	20	13
GR8010FD-DAPR	80	10	6.3500	75.2	2.5X3	103700	433700	2260	130	243	P	7	22	176	D	66	Rc1/8	152	14	20	13
GR8012ED-CAPR	80	12	7.9375	73.8	2.5X2	99400	359100	1610	136	215	P	7	22	182	C	-	Rc1/8	158	14	20	13
GR8012ED-DAPR	80	12	7.9375	73.8	2.5X2	99400	359100	1610	136	215	P	7	22	182	D	68	Rc1/8	158	14	20	13
GR8012FD-CAPR	80	12	7.9375	73.8	2.5X3	140700	538700	2320	136	287	P	7	22	182	C	-	Rc1/8	158	14	20	13
GR8012FD-DAPR	80	12	7.9375	73.8	2.5X3	140700	538700	2320	136	287	P	7	22	182	D	68	Rc1/8	158	14	20	13
GR8016ED-CAPR	80	16	9.5250	72.6	2.5X2	165200	600500	1810	143	289	P	12	28	204	C	-	Rc1/8	172	18	26	17.5
GR8016ED-DAPR	80	16	9.5250	72.6	2.5X2	165200	600500	1810	143	289	P	12	28	204	D	77	Rc1/8	172	18	26	17.5
GR8016FD-CAPR	80	16	9.5250	72.6	2.5X3	234100	900800	2610	143	385	P	12	28	204	C	-	Rc1/8	172	18	26	17.5
GR8016FD-DAPR	80	16	9.5250	72.6	2.5X3	234100	900800	2610	143	385	P	12	28	204	D	77	Rc1/8	172	18	26	17.5
GR8020ED-CAPR	80	20	9.5250	72.6	2.5X2	165200	600500	1810	143	313	P	12	28	204	C	-	Rc1/8	172	18	26	17.5
GR8020ED-DAPR	80	20	9.5250	72.6	2.5X2	165200	600500	1810	143	313	P	12	28	204	D	77	Rc1/8	172	18	26	17.5
GR8020FD-CAPR	80	20	9.5250	72.6	2.5X3	234100	900800	2680	143	433	P	12	28	204	C	-	Rc1/8	172	18	26	17.5
GR8020FD-DAPR	80	20	9.5250	72.6	2.5X3	234100	900800	2680	143	433	P	12	28	204	D	77	Rc1/8	172	18	26	17.5

Wiper material P:Plastics wiper

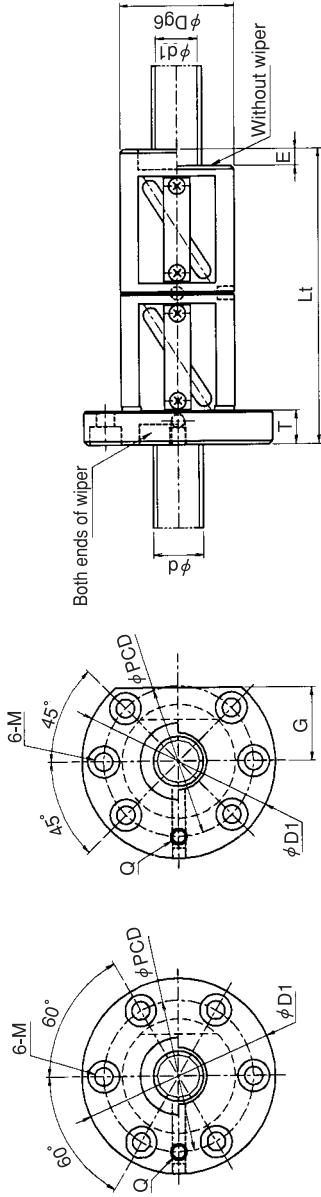
Refer to page 24 for NOTATION OF MODEL NUMBER.

**KURODA** Customized Ground Ball Screw:GR Series(Accuracy grade C0-C10)

**Tube Method Double Nut**

**Screw shaft diameter Ø100,Ø125**

(Unit:mm)



Flange type C

Flange type D

Model No.	Screw shaft diameter d	Lead L	Ball diameter Db	Root diameter dt	Number of circuits Turn/Circuit	Basic dynamic load rating C (N)	Basic static load rating Co (N)	Rigidity K <sub>sw</sub> (N/μm)	Nut dimensions												
									Outer diameter D	Overall length Lt	Wiper		Thickness T	Outer diameter D <sub>1</sub>	Type	Flange dimensions		Mounting hole			
											E	Without wiper				G	Q	Drill	Spot facing	Depth	
GRA012ED-CAPR	100	12	7.9375	93.8	2.5X2	109450	451800	1940	160	219	P	6	28	220	C	-	Rc1/8	188	18	26	17.5
GRA012ED-DAPR	100	12	7.9375	93.8	2.5X2	109450	451800	1940	160	219	P	6	28	220	D	82	Rc1/8	188	18	26	17.5
GRA012FD-CAPR	100	12	7.9375	93.8	2.5X3	155000	677700	2790	160	291	P	6	28	220	C	-	Rc1/8	188	18	26	17.5
GRA012FD-DAPR	100	12	7.9375	93.8	2.5X3	155000	677000	2790	160	291	P	6	28	220	D	82	Rc1/8	188	18	26	17.5
GRA016ED-CAPR	100	16	9.5250	92.6	2.5X2	180000	739000	2140	170	293	P	12	32	243	C	-	Rc1/8	205	22	32	21.5
GRA016ED-DAPR	100	16	9.5250	92.6	2.5X2	180000	739000	2140	170	293	P	12	32	243	D	91	Rc1/8	205	22	32	21.5
GRA016FD-CAPR	100	16	9.5250	92.6	2.5X3	255000	1108500	3080	170	389	P	12	32	243	C	-	Rc1/8	205	22	32	21.5
GRA016FD-DAPR	100	16	9.5250	92.6	2.5X3	255000	1108500	3080	170	389	P	12	32	243	D	91	Rc1/8	205	22	32	21.5
GRA020ED-CAPR	100	20	9.5250	92.5	2.5X2	180000	739000	2140	170	317	P	12	32	243	C	-	Rc1/8	205	22	32	21.5
GRA020ED-DAPR	100	20	9.5250	92.5	2.5X2	180000	739000	2140	170	317	P	12	32	243	D	91	Rc1/8	205	22	32	21.5
GRA020FD-CAPR	100	20	9.5250	92.5	2.5X3	255000	1108500	3170	170	437	P	12	32	243	C	-	Rc1/8	205	22	32	21.5
GRA020FD-DAPR	100	20	9.5250	92.5	2.5X3	255000	1108500	3170	170	437	P	12	32	243	D	91	Rc1/8	205	22	32	21.5
GRC516ED-CAPR	125	16	9.5250	117.6	2.5X2	200400	946900	2620	200	297	P	12	36	290	C	-	Rc1/8	243	26	39	25.5
GRC516ED-DAPR	125	16	9.5250	117.6	2.5X2	200400	946900	2620	200	297	P	12	36	290	D	109	Rc1/8	243	26	39	25.5
GRC516FD-CAPR	125	16	9.5250	117.6	2.5X3	284100	1420400	3720	200	393	P	12	36	290	C	-	Rc1/8	243	26	39	25.5
GRC516FD-DAPR	125	16	9.5250	117.6	2.5X3	284100	1420400	3720	200	393	P	12	36	290	D	109	Rc1/8	243	26	39	25.5
GRC520ED-CAPR	125	20	9.5250	117.6	2.5X2	200400	946900	2620	200	321	P	12	36	290	C	-	Rc1/8	243	26	39	25.5
GRC520ED-DAPR	125	20	9.5250	117.6	2.5X2	200400	946900	2620	200	321	P	12	36	290	D	109	Rc1/8	243	26	39	25.5
GRC520FD-CAPR	125	20	9.5250	117.6	2.5X3	284100	1420400	3760	200	441	P	12	36	290	C	-	Rc1/8	243	26	39	25.5
GRC520FD-DAPR	125	20	9.5250	117.6	2.5X3	284100	1420400	3760	200	441	P	12	36	290	D	109	Rc1/8	243	26	39	25.5

Wiper material P:Plastics wiper

Refer to page 24 for NOTATION OF MODEL NUMBER.