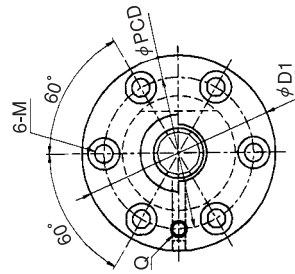


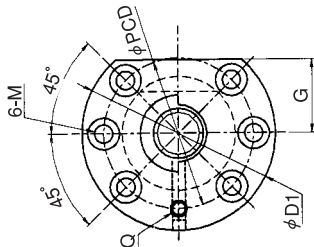
**Tube Method Double Nut**

**Screw shaft diameter Ø45**

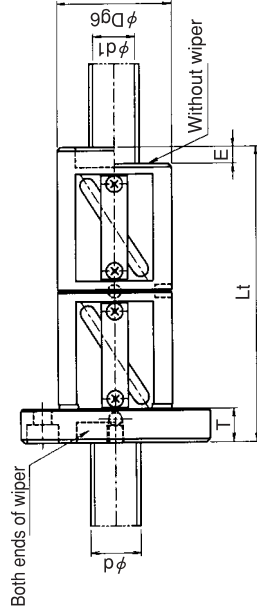
(Unit:mm)



Flange type C



Flange type D



Model No.	Screw shaft diameter d	Lead L	Ball diameter D <sub>b</sub>	Root diameter d <sub>i</sub>	Number of circuits Turn/Circuit	Basic dynamic load rating C (N)	Basic static load rating C <sub>0</sub> (N)	Rigidity K <sub>rw</sub> (N/μm)	Nut dimensions												
									Outer diameter		Flange dimensions		Oil hole		Mounting hole						
									D	Lt	Thickness	Outer diameter	Type	G	Q	PCD	Drill	Spot facing	Depth		
GR4505BD-CAPR	45	5	3.1750	42.5	1.5X2	14100	48600	570	74	96	P	5	15	108	C	-	Rc1/8	90	9	14	8.6
GR4505BD-DAPR	45	5	3.1750	42.5	1.5X2	14100	48600	570	74	96	P	5	15	108	D	41	Rc1/8	90	9	14	8.6
GR4505CD-CAPR	45	5	3.1750	42.5	1.5X3	20100	72900	830	74	116	P	5	15	108	C	-	Rc1/8	90	9	14	8.6
GR4505CD-DAPR	45	5	3.1750	42.5	1.5X3	20100	72900	830	74	116	P	5	15	108	D	41	Rc1/8	90	9	14	8.6
GR4506BD-CAPR	45	6	3.9688	41.6	1.5X2	19300	59700	580	78	112	P	5	15	112	C	-	Rc1/8	94	9	14	8.6
GR4506BD-DAPR	45	6	3.9688	41.6	1.5X2	19300	59700	580	78	112	P	5	15	112	D	43	Rc1/8	94	9	14	8.6
GR4506ED-CAPR	45	6	3.9688	41.6	2.5X2	30000	99500	910	78	124	P	5	15	112	C	-	Rc1/8	94	9	14	8.6
GR4506ED-DAPR	45	6	3.9688	41.6	2.5X2	30000	99500	910	78	124	P	5	15	112	D	43	Rc1/8	94	9	14	8.6
GR4506FD-CAPR	45	6	3.9688	41.6	2.5X3	42500	149300	1300	78	160	P	5	15	112	C	-	Rc1/8	94	9	14	8.6
GR4506FD-DAPR	45	6	3.9688	41.6	2.5X3	42500	149300	1300	78	160	P	5	15	112	D	43	Rc1/8	94	9	14	8.6
GR4508BD-CAPR	45	8	4.7625	41.0	1.5X2	24000	72600	590	82	132	P	6	18	124	C	-	Rc1/8	102	11	17.5	10.8
GR4508BD-DAPR	45	8	4.7625	41.0	1.5X2	24000	72600	590	82	132	P	6	18	124	D	47	Rc1/8	102	11	17.5	10.8
GR4508ED-CAPR	45	8	4.7625	41.0	2.5X2	37300	121000	950	82	148	P	6	18	124	C	-	Rc1/8	102	11	17.5	10.8
GR4508ED-DAPR	45	8	4.7625	41.0	2.5X2	37300	121000	950	82	148	P	6	18	124	D	47	Rc1/8	102	11	17.5	10.8
GR4508FD-CAPR	45	8	4.7625	41.0	2.5X3	52700	181500	1310	82	196	P	6	18	124	C	-	Rc1/8	102	11	17.5	10.8
GR4508FD-DAPR	45	8	4.7625	41.0	2.5X3	52700	181500	1310	82	196	P	6	18	124	D	47	Rc1/8	102	11	17.5	10.8

Wiper material P:Plastics wiper

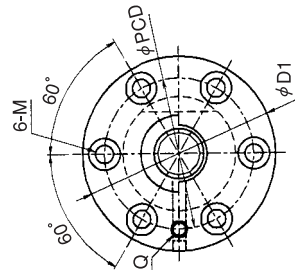
Refer to page 24 for NOTATION OF MODEL NUMBER.

**KURODA** Customized Ground Ball Screw:GR Series(Accuracy grade C0-C10)

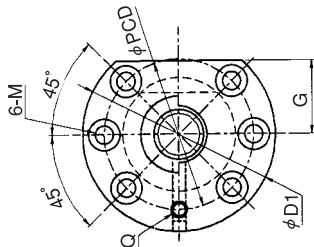
**Tube Method Double Nut**

**Screw shaft diameter Ø45**

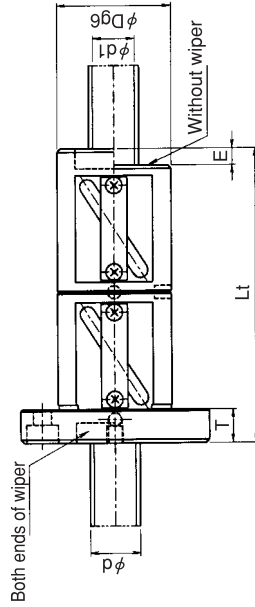
(Unit:mm)



Flange type C



Flange type D



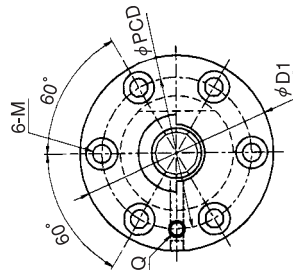
Model No.	Screw shaft diameter d	Lead L	Ball diameter Db	Root diameter d1	Number of circuits Turn/Circuit	Basic dynamic load rating C (N)	Basic static load rating Co (N)	Rigidity K <sub>rw</sub> (N/μm)	Nut dimensions					Mounting hole							
									Outer diameter		Flange dimensions		Oil hole		M						
									D	Lt	Thickness	Outer diameter	Type	G	Q	Drill	Spot facing	Depth			
GR4510BD-CALR	45	10	6.3500	40.2	1.5X2	36800	97800	620	86	161	L	8	18	128	C	-	Rc1/8	106	11	17.5	10.8
GR4510BD-DALR	45	10	6.3500	40.2	1.5X2	36800	97800	620	86	161	L	8	18	128	D	48	Rc1/8	106	11	17.5	10.8
GR4510DD-CALR	45	10	6.3500	40.2	2.5X1	31500	81500	530	86	121	L	8	18	128	C	-	Rc1/8	106	11	17.5	10.8
GR4510DD-DALR	45	10	6.3500	40.2	2.5X1	31500	81500	530	86	121	L	8	18	128	D	48	Rc1/8	106	11	17.5	10.8
GR4510ED-CALR	45	10	6.3500	40.2	2.5X2	57200	163000	990	86	181	L	8	18	128	C	-	Rc1/8	106	11	17.5	10.8
GR4510ED-DALR	45	10	6.3500	40.2	2.5X2	57200	163000	990	86	181	L	8	18	128	D	48	Rc1/8	106	11	17.5	10.8
GR4510FD-CALR	45	10	6.3500	40.2	2.5X3	81000	244500	1420	86	241	L	8	18	128	C	-	Rc1/8	106	11	17.5	10.8
GR4510FD-DALR	45	10	6.3500	40.2	2.5X3	81000	244500	1420	86	241	L	8	18	128	D	48	Rc1/8	106	11	17.5	10.8
GR4512DD-CALR	45	12	7.9375	38.8	2.5X1	41200	98500	520	94	143	L	7	22	140	C	-	Rc1/8	116	14	20	13
GR4512DD-DALR	45	12	7.9375	38.8	2.5X1	41200	98500	520	94	143	L	7	22	140	D	53	Rc1/8	116	14	20	13
GR4512ED-CALR	45	12	7.9375	38.8	2.5X2	74900	197000	980	94	215	L	7	22	140	C	-	Rc1/8	116	14	20	13
GR4512ED-DALR	45	12	7.9375	38.8	2.5X2	74900	197000	980	94	215	L	7	22	140	D	53	Rc1/8	116	14	20	13
GR4512FD-CALR	45	12	7.9375	38.8	2.5X3	106200	295500	1410	94	287	L	7	22	140	C	-	Rc1/8	116	14	20	13
GR4512FD-DALR	45	12	7.9375	38.8	2.5X3	106200	295500	1410	94	287	L	7	22	140	D	53	Rc1/8	116	14	20	13

Wiper material L:Lip seal

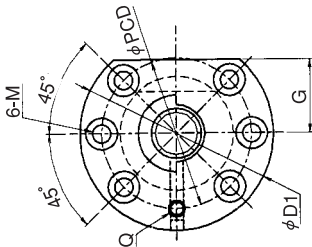
**Tube Method Double Nut**

**Screw shaft diameter Ø50**

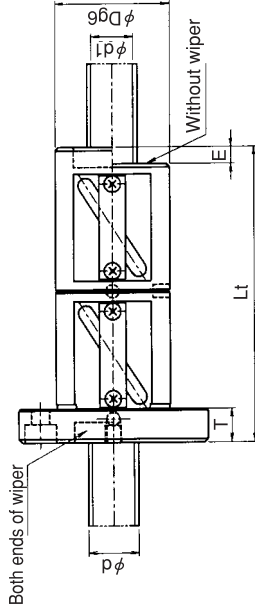
(Unit:mm)



Flange type C



Flange type D



Model No.	Screw shaft diameter d	Lead L	Ball diameter Db	Root diameter d1	Number of circuits Turn/Circuit	Basic dynamic load rating C (N)	Basic static load rating Co (N)	Rigidity K <sub>rw</sub> (N/μm)	Nut dimensions												
									Outer diameter		Overall length Lt	Wiper E	Without wiper	Flange dimensions			Oil hole			Mounting hole	
									D	φ D1				Thickness	T	D <sub>1</sub>	Type	G	Q	PCD	Drill
GR5005BD-CAPR	50	5	3.1750	47.5	1.5X2	14800	54200	620	80	96	P	5	15	114	C	-	Rc1/8	96	9	14	8.6
GR5005BD-DAPR	50	5	3.1750	47.5	1.5X2	14800	54200	620	80	96	P	5	15	114	D	43	Rc1/8	96	9	14	8.6
GR5005CD-CAPR	50	5	3.1750	47.5	1.5X3	21000	81300	890	80	116	P	5	15	114	C	-	Rc1/8	96	9	14	8.6
GR5005CD-DAPR	50	5	3.1750	47.5	1.5X3	21000	81300	890	80	116	P	5	15	114	D	43	Rc1/8	96	9	14	8.6
GR5006BD-CAPR	50	6	3.9688	46.6	1.5X2	20100	66500	640	84	112	P	5	15	118	C	-	Rc1/8	100	9	14	8.6
GR5006BD-DAPR	50	6	3.9688	46.6	1.5X2	20100	66500	640	84	112	P	5	15	118	D	45	Rc1/8	100	9	14	8.6
GR5006ED-CAPR	50	6	3.9688	46.6	2.5X2	31300	110800	990	84	124	P	5	15	118	C	-	Rc1/8	100	9	14	8.6
GR5006ED-DAPR	50	6	3.9688	46.6	2.5X2	31300	110800	990	84	124	P	5	15	118	D	45	Rc1/8	100	9	14	8.6
GR5006FD-CAPR	50	6	3.9688	46.6	2.5X3	44300	166200	1420	84	160	P	5	15	118	C	-	Rc1/8	100	9	14	8.6
GR5006FD-DAPR	50	6	3.9688	46.6	2.5X3	44300	166200	1420	84	160	P	5	15	118	D	45	Rc1/8	100	9	14	8.6
GR5008BD-CAPR	50	8	4.7625	46.0	1.5X2	24900	80100	650	87	132	P	6	18	129	C	-	Rc1/8	107	11	17.5	10.8
GR5008BD-DAPR	50	8	4.7625	46.0	1.5X2	24900	80100	650	87	132	P	6	18	129	D	49	Rc1/8	107	11	17.5	10.8
GR5008ED-CAPR	50	8	4.7625	46.0	2.5X2	38700	133400	1030	87	148	P	6	18	129	C	-	Rc1/8	107	11	17.5	10.8
GR5008ED-DAPR	50	8	4.7625	46.0	2.5X2	38700	133400	1030	87	148	P	6	18	129	D	49	Rc1/8	107	11	17.5	10.8
GR5008FD-CAPR	50	8	4.7625	46.0	2.5X3	55000	200100	1480	87	196	P	6	18	129	C	-	Rc1/8	107	11	17.5	10.8
GR5008FD-DAPR	50	8	4.7625	46.0	2.5X3	55000	200100	1480	87	196	P	6	18	129	D	49	Rc1/8	107	11	17.5	10.8

Wiper material P:Plastics wiper

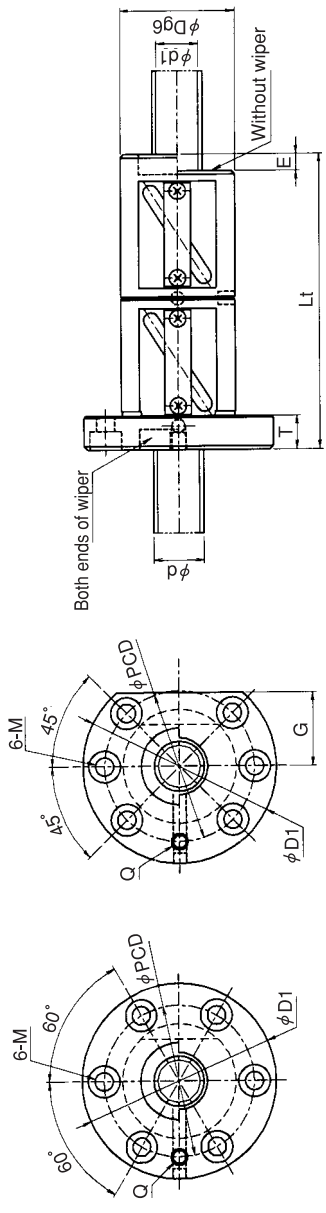
Refer to page 24 for NOTATION OF MODEL NUMBER.

**KURODA** Customized Ground Ball Screw:GR Series(Accuracy grade C0-C10)

**Tube Method Double Nut**

**Screw shaft diameter Ø50**

(Unit:mm)



Flange type C

Flange type D

Model No.	Screw shaft diameter d	Lead L	Ball diameter Db	Root diameter dr	Number of circuits Turn/Circuit	Basic dynamic load rating C (N)	Basic static load rating Co (N)	Rigidity K <sub>rw</sub> (N/μm)	Wiper		Nut dimensions				Mounting hole			
									Overall length Lt	Without wiper E	Outer diameter D	Flange diameter D <sub>1</sub>	Thickness T	Type	Oil hole Q	PCD	Drill	Spot facing
GR5010BD-CALR	50	10	6.3500	45.2	1.5X2	38300	106700	670	L	8	135	C	-	Rc1/8	113	11	17.5	10.8
GR5010BD-DALR	50	10	6.3500	45.2	1.5X2	38300	106700	670	L	8	135	D	51	Rc1/8	113	11	17.5	10.8
GR5010DD-CALR	50	10	6.3500	45.2	2.5X1	32800	88900	560	L	8	135	C	-	Rc1/8	113	11	17.5	10.8
GR5010DD-DALR	50	10	6.3500	45.2	2.5X1	32800	88900	560	L	8	135	D	51	Rc1/8	113	11	17.5	10.8
GR5010ED-CALR	50	10	6.3500	45.2	2.5X2	59400	177800	1060	L	8	135	C	-	Rc1/8	113	11	17.5	10.8
GR5010ED-DALR	50	10	6.3500	45.2	2.5X2	59400	177800	1060	L	8	135	D	51	Rc1/8	113	11	17.5	10.8
GR5010FD-CALR	50	10	6.3500	45.2	2.5X3	84100	266700	1520	L	8	135	C	-	Rc1/8	113	11	17.5	10.8
GR5010FD-DALR	50	10	6.3500	45.2	2.5X3	84100	266700	1520	L	8	135	D	51	Rc1/8	113	11	17.5	10.8
GR5012DD-CALR	50	12	7.9375	43.8	2.5X1	42600	110000	570	L	7	146	C	-	Rc1/8	122	14	20	13
GR5012DD-DALR	50	12	7.9375	43.8	2.5X1	42600	110000	570	L	7	146	D	55	Rc1/8	122	14	20	13
GR5012ED-CALR	50	12	7.9375	43.8	2.5X2	77400	220000	1070	L	7	146	C	-	Rc1/8	122	14	20	13
GR5012ED-DALR	50	12	7.9375	43.8	2.5X2	77400	220000	1070	L	7	146	D	55	Rc1/8	122	14	20	13
GR5012FD-CALR	50	12	7.9375	43.8	2.5X3	109600	330000	1540	L	7	146	C	-	Rc1/8	122	14	20	13
GR5012FD-DALR	50	12	7.9375	43.8	2.5X3	109600	330000	1540	L	7	146	D	55	Rc1/8	122	14	20	13
GR5016DD-CAPR	50	16	7.9375	43.8	2.5X1	42600	110000	570	P	7	146	C	-	Rc1/8	122	14	20	13
GR5016DD-DAPR	50	16	7.9375	43.8	2.5X1	42600	110000	570	P	7	146	D	55	Rc1/8	122	14	20	13
GR5016ED-CAPR	50	16	7.9375	43.8	2.5X2	77400	220000	1080	P	7	146	C	-	Rc1/8	122	14	20	13
GR5016ED-DAPR	50	16	7.9375	43.8	2.5X2	77400	220000	1080	P	7	146	D	55	Rc1/8	122	14	20	13
GR5020DD-CAPR	50	20	7.9375	43.8	2.5X1	42600	110000	650	P	7	146	C	-	Rc1/8	122	14	20	13
GR5020DD-DAPR	50	20	7.9375	43.8	2.5X1	42600	110000	650	P	7	146	D	55	Rc1/8	122	14	20	13
GR5020ED-CAPR	50	20	7.9375	43.8	2.5X2	77400	220000	1210	P	7	146	C	-	Rc1/8	122	14	20	13
GR5020ED-DAPR	50	20	7.9375	43.8	2.5X2	77400	220000	1210	P	7	146	D	55	Rc1/8	122	14	20	13

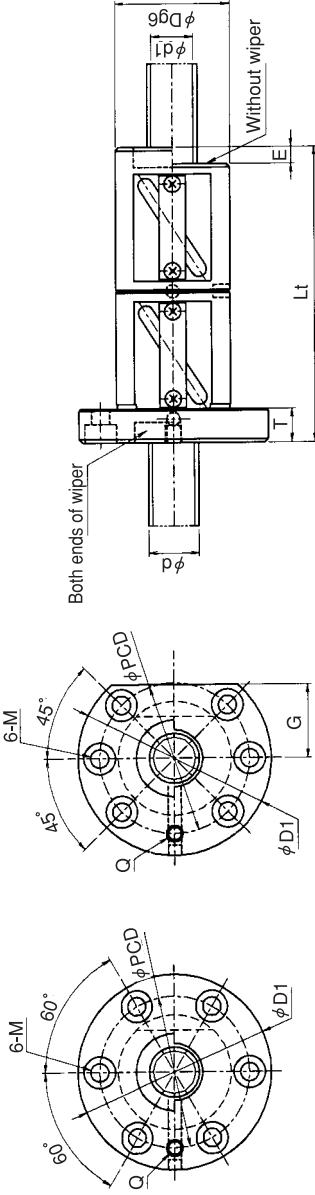
Wiper material P:Plastics wiper L:Lip seal

Refer to page 24 for NOTATION OF MODEL NUMBER.

**Tube Method Double Nut**

**Screw shaft diameter Ø55**

(Unit:mm)



**Flange type C**

**Flange type D**

Model No.	Screw shaft diameter d	Lead L	Ball diameter Db	Root diameter dr	Number of circuits Turn/Circuit	Basic dynamic load rating C (N)	Basic static load rating Co (N)	Rigidity K <sub>sw</sub> (N/µm)	Nut dimensions												
									Overall length		Wiper		Without wiper		Flange dimensions			Mounting hole			
									Outer diameter D	Li	P	E	Thickness T	Outer diameter	Type	G	Oil hole Q	PCD	Drill	Spot facing	Depth
GR5508ED-CAPR	55	8	4.7625	51.0	2.5X2	40100	145900	1100	92	150	P	5	22	138	C	-	Rc1/8	114	14	20	13
GR5508ED-DAPR	55	8	4.7625	51.0	2.5X2	40100	148900	1100	92	150	P	5	22	138	D	53	Rc1/8	114	14	20	13
GR5508FD-CAPR	55	8	4.7625	51.0	2.5X3	56900	218900	1580	92	198	P	5	22	138	C	-	Rc1/8	114	14	20	13
GR5508FD-DAPR	55	8	4.7625	51.0	2.5X3	56900	218900	1580	92	198	P	5	22	138	D	53	Rc1/8	114	14	20	13
GR5510BD-CALR	55	10	6.3500	50.2	1.5X2	40400	120100	760	100	165	L	8	22	146	C	-	Rc1/8	112	14	20	13
GR5510BD-DALR	55	10	6.3500	50.2	1.5X2	40400	120100	760	100	165	L	8	22	146	D	55	Rc1/8	112	14	20	13
GR5510ED-CALR	55	10	6.3500	50.2	2.5X2	62700	200200	1170	100	185	L	8	22	146	C	-	Rc1/8	112	14	20	13
GR5510ED-DALR	55	10	6.3500	50.2	2.5X2	62700	200200	1170	100	185	L	8	22	146	D	55	Rc1/8	112	14	20	13
GR5510FD-CALR	55	10	6.3500	50.2	2.5X3	89000	300300	1690	100	245	L	8	22	146	C	-	Rc1/8	112	14	20	13
GR5510FD-DALR	55	10	6.3500	50.2	2.5X3	89000	300300	1690	100	245	L	8	22	146	D	55	Rc1/8	112	14	20	13
GR5512ED-CAPR	55	12	7.9375	48.8	2.5X2	81200	243300	1170	108	215	P	7	22	154	C	-	Rc1/8	130	14	20	13
GR5512ED-DAPR	55	12	7.9375	48.8	2.5X2	81200	243300	1170	108	215	P	7	22	154	D	58	Rc1/8	130	14	20	13
GR5512FD-CAPR	55	12	7.9375	48.8	2.5X3	115100	365000	1680	108	287	P	7	22	154	C	-	Rc1/8	130	14	20	13
GR5512FD-DAPR	55	12	7.9375	48.8	2.5X3	115100	365000	1680	108	287	P	7	22	154	D	58	Rc1/8	130	14	20	13
GR5516DD-CAPR	55	16	9.5250	47.6	2.5X1	76700	207800	690	112	195	P	13	28	172	C	-	Rc1/8	140	18	26	17.5
GR5516DD-DAPR	55	16	9.5250	47.6	2.5X1	76700	207800	690	112	195	P	13	28	172	D	66	Rc1/8	140	18	26	17.5
GR5516ED-CAPR	55	16	9.5250	47.6	2.5X2	139100	415600	1080	112	291	P	13	28	172	C	-	Rc1/8	140	18	26	17.5
GR5516ED-DAPR	55	16	9.5250	47.6	2.5X2	139100	415600	1080	112	291	P	13	28	172	D	66	Rc1/8	140	18	26	17.5
GR5520DD-CALR	55	20	9.5250	47.6	2.5X1	76700	207800	720	112	195	L	12.5	28	172	C	-	Rc1/8	140	18	26	17.5
GR5520DD-DALR	55	20	9.5250	47.6	2.5X1	76700	207800	720	112	195	L	12.5	28	172	D	66	Rc1/8	140	18	26	17.5
GR5520ED-CALR	55	20	9.5250	47.6	2.5X2	139100	415600	1340	112	315	L	12.5	28	172	C	-	Rc1/8	140	18	26	17.5
GR5520ED-DALR	55	20	9.5250	47.6	2.5X2	139100	415600	1340	112	315	L	12.5	28	172	D	66	Rc1/8	140	18	26	17.5

Wiper material P:Plastics wiper L:Lip seal

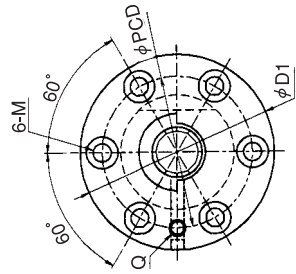
Refer to page 24 for NOTATION OF MODEL NUMBER.

**KURODA** Customized Ground Ball Screw:GR Series(Accuracy grade C0-C10)

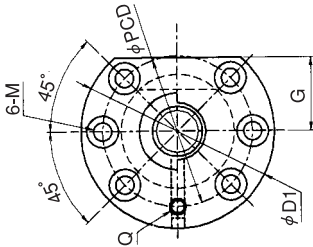
**Tube Method Double Nut**

**Screw shaft diameter Ø63**

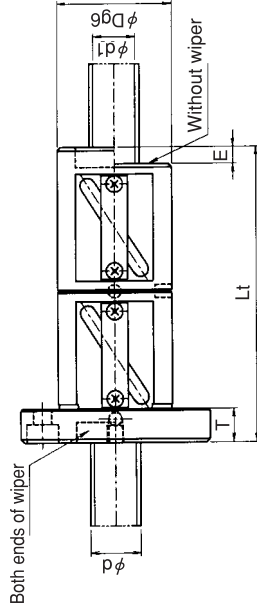
(Unit:mm)



Flange type C



Flange type D



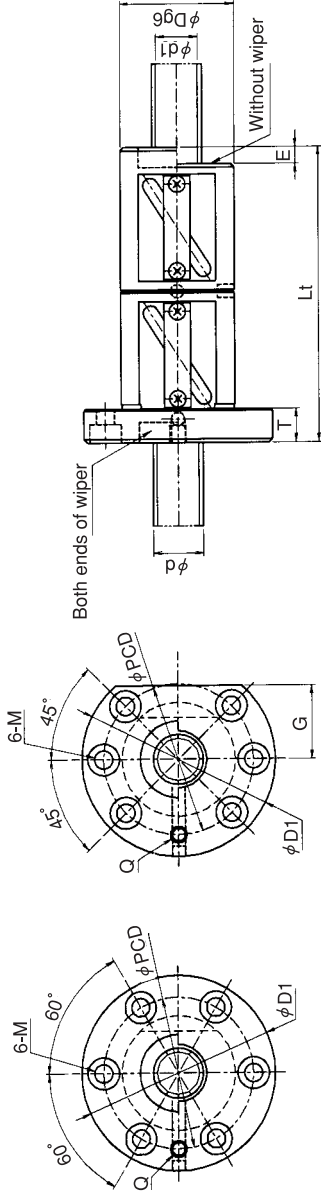
Model No.	Screw shaft diameter d	Lead L	Ball diameter Db	Root diameter d1	Number of circuits Turn/Circuit	Basic dynamic load rating C (N)	Basic static load rating Co (N)	Rigidity K <sub>rw</sub> (N/μm)	Nut dimensions				Mounting hole				
									Flange dimensions		Oil hole		PCD	M			
									Outer diameter D	Overall length Lt	Wiper	Without wiper			Thickness	Outer diameter	Type
GR6306BD-CAPR	63	6	3.9688	59.6	1.5X2	22100	83500	850	18	142	C	-	Rc1/8	120	11	17.5	10.8
GR6306BD-DAPR	63	6	3.9688	59.6	1.5X2	22100	83500	850	18	142	D	53	Rc1/8	120	11	17.5	10.8
GR6306CD-CAPR	63	6	3.9688	59.6	1.5X3	31300	125300	1100	18	142	C	-	Rc1/8	120	11	17.5	10.8
GR6306CD-DAPR	63	6	3.9688	59.6	1.5X3	31300	125300	1100	18	142	D	53	Rc1/8	120	11	17.5	10.8
GR6308BD-CAPR	63	8	4.7625	59.0	1.5X2	27800	102500	790	22	150	C	-	Rc1/8	126	14	20	13
GR6308BD-DAPR	63	8	4.7625	59.0	1.5X2	27800	102500	790	22	150	D	57	Rc1/8	126	14	20	13
GR6308CD-CAPR	63	8	4.7625	59.0	1.5X3	39300	153800	1140	22	150	C	-	Rc1/8	126	14	20	13
GR6308CD-DAPR	63	8	4.7625	59.0	1.5X3	39300	153800	1140	22	150	D	57	Rc1/8	126	14	20	13

Wiper material P:Plastics wiper

**Tube Method Double Nut**

**Screw shaft diameter Ø63**

(Unit:mm)



Flange type C

Flange type D

Model No.	Screw shaft diameter d	Lead L	Ball diameter Db	Root diameter dt	Number of circuits Turn/Circuit	Basic dynamic load rating C (N)	Basic static load rating Co (N)	Rigidity K <sub>w</sub> (N/μm)	Nut dimensions										
									Wiper		Flange dimensions			Oil hole		Mounting hole			
									With wiper	Without wiper	Thickness	Outer diameter	Type	G	Q	PCD	Drill	Spot facing	Depth
GR6310DD-CAPR	63	10	6.3500	58.2	2.5X1	36800	114900	700	P	8	22	154	C	-	Rc1/8	130	14	20	13
GR6310DD-DAPR	63	10	6.3500	58.2	2.5X1	36800	114900	700	P	8	22	154	D	58	Rc1/8	130	14	20	13
GR6310ED-CAPR	63	10	6.3500	58.2	2.5X2	66600	229800	1310	P	8	22	154	C	-	Rc1/8	130	14	20	13
GR6310ED-DAPR	63	10	6.3500	58.2	2.5X2	66600	229800	1310	P	8	22	154	D	58	Rc1/8	130	14	20	13
GR6310FD-CAPR	63	10	6.3500	58.2	2.5X3	94400	344700	1880	P	8	22	154	C	-	Rc1/8	130	14	20	13
GR6310FD-DAPR	63	10	6.3500	58.2	2.5X3	94400	344700	1880	P	8	22	154	D	58	Rc1/8	130	14	20	13
GR6312DD-CAPR	63	12	7.9375	56.8	2.5X1	48700	139000	700	P	7	22	161	C	-	Rc1/8	137	14	20	13
GR6312DD-DAPR	63	12	7.9375	56.8	2.5X1	48700	139000	700	P	7	22	161	D	61	Rc1/8	137	14	20	13
GR6312ED-CAPR	63	12	7.9375	56.8	2.5X2	88500	278000	1310	P	7	22	161	C	-	Rc1/8	137	14	20	13
GR6312ED-DAPR	63	12	7.9375	56.8	2.5X2	88500	278000	1310	P	7	22	161	D	61	Rc1/8	137	14	20	13
GR6312FD-CAPR	63	12	7.9375	56.8	2.5X3	125500	417000	1880	P	7	22	161	C	-	Rc1/8	137	14	20	13
GR6312FD-DAPR	63	12	7.9375	56.8	2.5X3	125500	417000	1880	P	7	22	161	D	61	Rc1/8	137	14	20	13
GR6316DD-CAPR	63	16	9.5250	55.6	2.5X1	80300	231000	780	P	13	28	180	C	-	Rc1/8	150	18	26	17.5
GR6316DD-DAPR	63	16	9.5250	55.6	2.5X1	80300	231000	780	P	13	28	180	D	69	Rc1/8	150	18	26	17.5
GR6316ED-CAPR	63	16	9.5250	55.6	2.5X2	145800	462000	1460	P	13	28	180	C	-	Rc1/8	150	18	26	17.5
GR6316ED-DAPR	63	16	9.5250	55.6	2.5X2	145800	462000	1460	P	13	28	180	D	69	Rc1/8	150	18	26	17.5
GR6320DD-CAPR	63	20	9.5250	55.6	2.5X1	80300	231000	780	P	13	28	180	C	-	Rc1/8	150	18	26	17.5
GR6320DD-DAPR	63	20	9.5250	55.6	2.5X1	80300	231000	780	P	13	28	180	D	69	Rc1/8	150	18	26	17.5
GR6320ED-CAPR	63	20	9.5250	55.6	2.5X2	145800	462000	1460	P	13	28	180	C	-	Rc1/8	150	18	26	17.5
GR6320ED-DAPR	63	20	9.5250	55.6	2.5X2	145800	462000	1460	P	13	28	180	D	69	Rc1/8	150	18	26	17.5

Wiper material P:Plastics wiper

Refer to page 24 for NOTATION OF MODEL NUMBER.