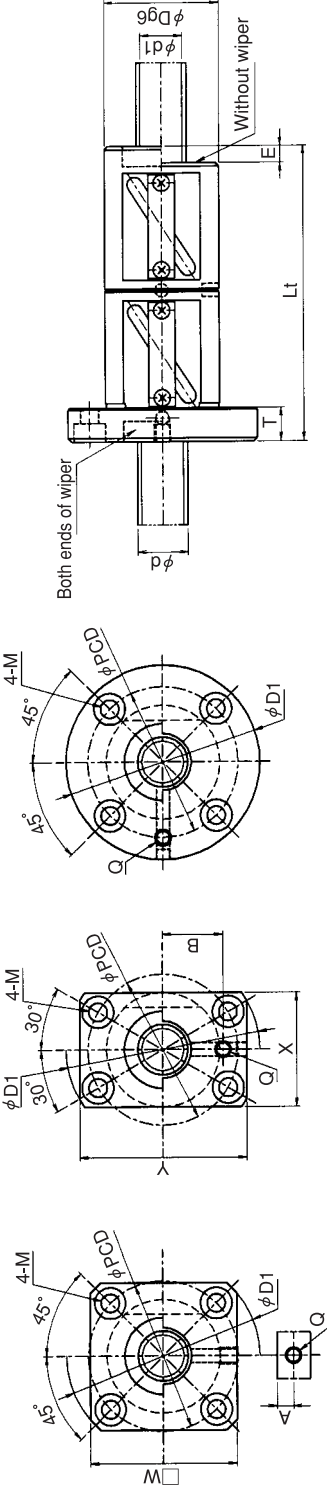


KURODA Customized Ground Ball Screw:GR Series(Accuracy grade C0-C10)

Tube Method Double Nut

Screw shaft diameter Ø25

(Unit:mm)



Flange type A

Flange type B

Flange type C1

Model No.	Screw shaft diameter d	Lead		Ball diameter Db	Root diameter dt	Number of circuits Turn/Circuit	Basic dynamic load rating		Basic static load rating	Rigidity K _{sw} (N/μm)	Overall length		Wiper	Without wiper	Flange dimensions		Nut dimensions		Mounting hole							
		L	Lt				C	Co			D	Li			Type	W	X	Y	A	B	Q	PCD	Drill	Spot facing	M	Depth
		Thickness					Outer diameter				Type				Oil hole		Mounting hole									
GR2504DD-AAPR	25	4	2.3812	23.1	2.5X1	5200	14400	280	280	46	75	P	3	12	74	A	56	-	7.5	-	M6	59	6.6	11	6.5	
GR2504DD-CAPR	25	4	2.3812	23.1	2.5X1	5200	14400	280	280	46	75	P	3	12	74	C1	-	-	-	-	M6	59	6.6	11	6.5	
GR2504ED-AAPR	25	4	2.3812	23.1	2.5X2	9400	28800	520	520	46	99	P	3	12	74	A	56	-	7	-	M6	59	6.6	11	6.5	
GR2504ED-CAPR	25	4	2.3812	23.1	2.5X2	9400	28800	520	520	46	99	P	3	12	74	C1	-	-	-	-	M6	59	6.6	11	6.5	
GR2505BD-AALR	25	5	3.1750	22.5	1.5X2	11000	26600	350	350	47	93	L	5	12	74	A	57	-	7	-	M6	60	6.6	11	6.5	
GR2505BD-CALR	25	5	3.1750	22.5	1.5X2	11000	26600	350	350	47	93	L	5	12	74	C1	-	-	-	-	M6	60	6.6	11	6.5	
GR2505DD-AALR	25	5	3.1750	22.5	2.5X1	9400	22200	300	300	47	83	L	5	12	74	A	57	-	7.5	-	M6	60	6.6	11	6.5	
GR2505DD-CALR	25	5	3.1750	22.5	2.5X1	9400	22200	300	300	47	83	L	5	12	74	C1	-	-	-	-	M6	60	6.6	11	6.5	
GR2505ED-AALR	25	5	3.1750	22.5	2.5X2	17000	44400	560	560	47	103	L	5	12	74	A	57	-	7.5	-	M6	60	6.6	11	6.5	
GR2505ED-CALR	25	5	3.1750	22.5	2.5X2	17000	44400	560	560	47	103	L	5	12	74	C1	-	-	-	-	M6	60	6.6	11	6.5	
GR2506BD-AALR	25	6	3.9688	21.6	1.5X2	14700	32400	360	360	50	109	L	5	12	78	A	59	-	7.5	-	M6	63	6.6	11	6.5	
GR2506BD-CALR	25	6	3.9688	21.6	1.5X2	14700	32400	360	360	50	109	L	5	12	78	C1	-	-	-	-	M6	63	6.6	11	6.5	
GR2506DD-AALR	25	6	3.9688	21.6	2.5X1	12500	27000	300	300	50	85	L	5	12	78	A	59	-	7.5	-	M6	63	6.6	11	6.5	
GR2506DD-CALR	25	6	3.9688	21.6	2.5X1	12500	27000	300	300	50	85	L	5	12	78	C1	-	-	-	-	M6	63	6.6	11	6.5	
GR2506ED-AALR	25	6	3.9688	21.6	2.5X2	22700	54000	560	560	50	121	L	5	12	78	A	59	-	7.5	-	M6	63	6.6	11	6.5	
GR2506ED-CALR	25	6	3.9688	21.6	2.5X2	22700	54000	560	560	50	121	L	5	12	78	C1	-	-	-	-	M6	63	6.6	11	6.5	
GR2508DD-AAPR	25	8	4.7625	21.0	2.5X1	16100	33400	310	310	52	111	P	5	15	86	A	66	-	10	-	M6	68	9	14	8.6	
GR2508DD-CAPR	25	8	4.7625	21.0	2.5X1	16100	33400	310	310	52	111	P	5	15	86	C1	-	-	-	-	M6	68	9	14	8.6	
GR2508GD-AAPR	25	8	4.7625	21.0	3.5X1	21400	46800	420	420	52	113	P	6	15	86	A	66	-	10	-	M6	68	9	14	8.6	
GR2508GD-CAPR	25	8	4.7625	21.0	3.5X1	21400	46800	420	420	52	113	P	6	15	86	C1	-	-	-	-	M6	68	9	14	8.6	
GR2510DD-AALR	25	10	4.7625	21.0	2.5X1	16100	33400	310	310	52	115	L	6	15	86	A	66	-	10	-	M6	68	9	14	8.6	
GR2510DD-BALR	25	10	4.7625	21.0	2.5X1	16100	33400	310	310	52	115	L	6	15	86	B	-	52	78	-	M6	68	9	14	8.6	
GR2510GD-AALR	25	10	4.7625	21.0	3.5X1	21400	46800	420	420	52	135	L	6	15	86	A	66	-	10	-	M6	68	9	14	8.6	
GR2510GD-BALR	25	10	4.7625	21.0	3.5X1	21400	46800	420	420	52	135	L	6	15	86	B	-	52	78	-	M6	68	9	14	8.6	

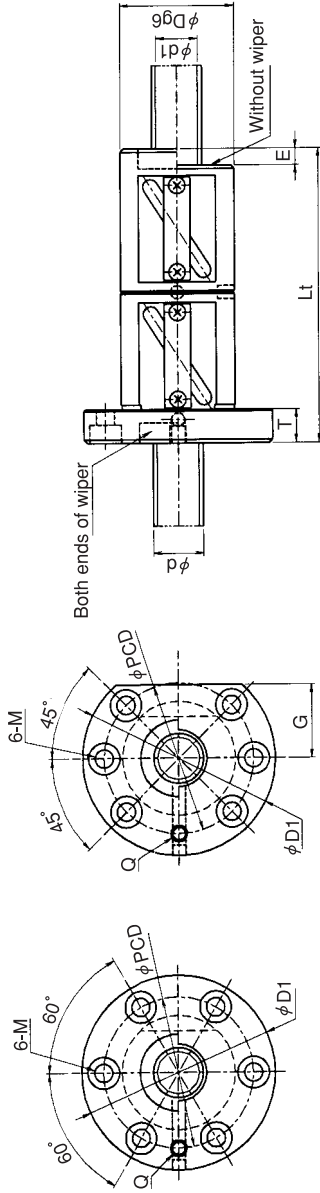
Wiper material P:Plastics wiper L:Lip seal

Refer to page 24 for NOTATION OF MODEL NUMBER.

Tube Method Double Nut

Screw shaft diameter Ø28

(Unit:mm)



Flange type C

Flange type D

Model No.	Screw shaft diameter d	Lead L	Ball diameter Db	Root diameter d1	Number of circuits Turn/Circuit	Basic dynamic load rating C (N)	Basic static load rating Co (N)	Rigidity K _{rw} (N/μm)	Nut dimensions				Mounting hole								
									Flange dimensions		Oil hole		PCD	M							
									Outer diameter D	Overall length Lt	Wiper	Without wiper		Thickness	Outer diameter	Type	G	Q	Drill	Spot facing	Depth
GR2805DD-CAPR	28	5	3.1750	25.5	2.5X1	9800	24900	330	54	73	P	5	12	82	C	-	M6	67	6.6	11	6.5
GR2805DD-DAPR	28	5	3.1750	25.5	2.5X1	9800	24900	330	54	73	P	5	12	82	D	31	M6	67	6.6	11	6.5
GR2805ED-CAPR	28	5	3.1750	25.5	2.5X2	17900	49800	610	54	103	P	5	12	82	C	-	M6	67	6.6	11	6.5
GR2805ED-DAPR	28	5	3.1750	25.5	2.5X2	17900	49800	610	54	103	P	5	12	82	D	31	M6	67	6.6	11	6.5
GR2810DD-CAPR	28	10	4.7625	24.0	2.5X1	17000	37600	340	56	115	P	5	15	84	C	-	M6	69	6.6	11	6.5
GR2810DD-DAPR	28	10	4.7625	24.0	2.5X1	17000	37600	340	56	115	P	5	15	84	D	32	M6	69	6.6	11	6.5

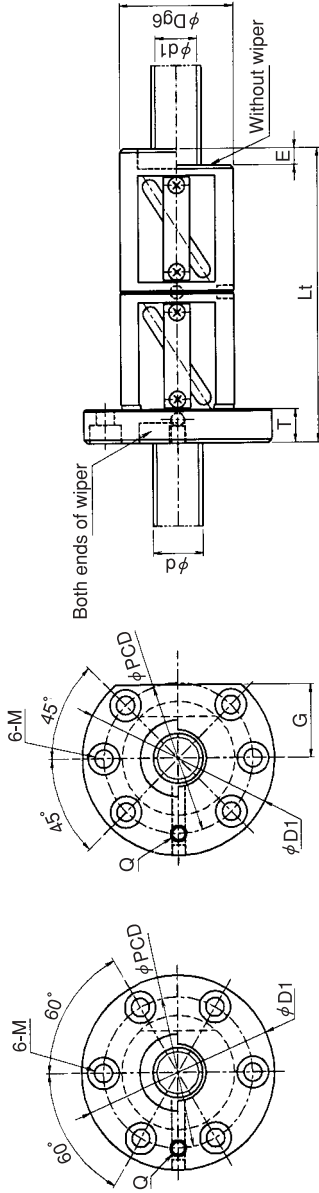
Wiper material P:Plastics wiper

KURODA Customized Ground Ball Screw:GR Series(Accuracy grade C0-C10)

Tube Method Double Nut

Screw shaft diameter Ø32

(Unit:mm)



Flange type C

Flange type D

Model No.	Screw shaft diameter d	Lead L	Ball diameter D _b	Root diameter d _r	Number of circuits Turn/Circuit	Basic dynamic load rating C (N)	Basic static load rating C ₀ (N)	Rigidity K _w (N/μm)	Nut dimensions											
									Overall length Lt		Wiper		Without wiper		Flange dimensions			Mounting hole		
									Outer diameter D	Thickness T	Type	Thickness Outer diameter	D ₁	G	Oil hole Q	PCD	Drill	Spot facing	Depth	
GR3204DD-CAPR	32	4	2.3812	30.1	2.5X1	5800	18900	330	75	P	3	12	81	C	-	M6	67	6.6	11	6.5
GR3204DD-DAPR	32	4	2.3812	30.1	2.5X1	5800	18900	330	75	P	3	12	81	D	31	M6	67	6.6	11	6.5
GR3204ED-CAPR	32	4	2.3812	30.1	2.5X2	10500	37800	610	91	P	3	12	81	C	-	M6	67	6.6	11	6.5
GR3204ED-DAPR	32	4	2.3812	30.1	2.5X2	10500	37800	610	91	P	3	12	81	D	31	M6	67	6.6	11	6.5
GR3205DD-CALR	32	5	3.1750	29.5	2.5X1	10500	28600	370	43	L	5	12	85	C	-	M6	71	6.6	11	6.5
GR3205DD-DALR	32	5	3.1750	29.5	2.5X1	10500	28600	370	43	L	5	12	85	D	32	M6	71	6.6	11	6.5
GR3205ED-CALR	32	5	3.1750	29.5	2.5X2	19000	57200	690	103	L	5	12	85	C	-	M6	71	6.6	11	6.5
GR3205ED-DALR	32	5	3.1750	29.5	2.5X2	19000	57200	690	103	L	5	12	85	D	32	M6	71	6.6	11	6.5
GR3205FD-CALR	32	5	3.1750	29.5	2.5X3	26900	85800	990	133	L	5	12	85	C	-	M6	71	6.6	11	6.5
GR3205FD-DALR	32	5	3.1750	29.5	2.5X3	26900	85800	990	133	L	5	12	85	D	32	M6	71	6.6	11	6.5
GR3206DD-CALR	32	6	3.9688	28.6	2.5X1	14400	35500	380	85	L	5	12	89	C	-	M6	75	6.6	11	6.5
GR3206DD-DALR	32	6	3.9688	28.6	2.5X1	14400	35500	380	85	L	5	12	89	D	34	M6	75	6.6	11	6.5
GR3206ED-CALR	32	6	3.9688	28.6	2.5X2	26000	71000	710	121	L	5	12	89	C	-	M6	75	6.6	11	6.5
GR3206ED-DALR	32	6	3.9688	28.6	2.5X2	26000	71000	710	121	L	5	12	89	D	34	M6	75	6.6	11	6.5
GR3208BD-CALR	32	8	4.7625	28.0	1.5X2	20900	50000	440	129	L	6	15	100	C	-	M6	82	9	14	8.6
GR3208BD-DALR	32	8	4.7625	28.0	1.5X2	20900	50000	440	129	L	6	15	100	D	38	M6	82	9	14	8.6
GR3208DD-CALR	32	8	4.7625	28.0	2.5X1	17800	41700	380	97	L	6	15	100	C	-	M6	82	9	14	8.6
GR3208DD-DALR	32	8	4.7625	28.0	2.5X1	17800	41700	380	97	L	6	15	100	D	38	M6	82	9	14	8.6
GR3208ED-CALR	32	8	4.7625	28.0	2.5X2	32300	83400	590	145	L	6	15	100	C	-	M6	82	9	14	8.6
GR3208ED-DALR	32	8	4.7625	28.0	2.5X2	32300	83400	590	145	L	6	15	100	D	38	M6	82	9	14	8.6

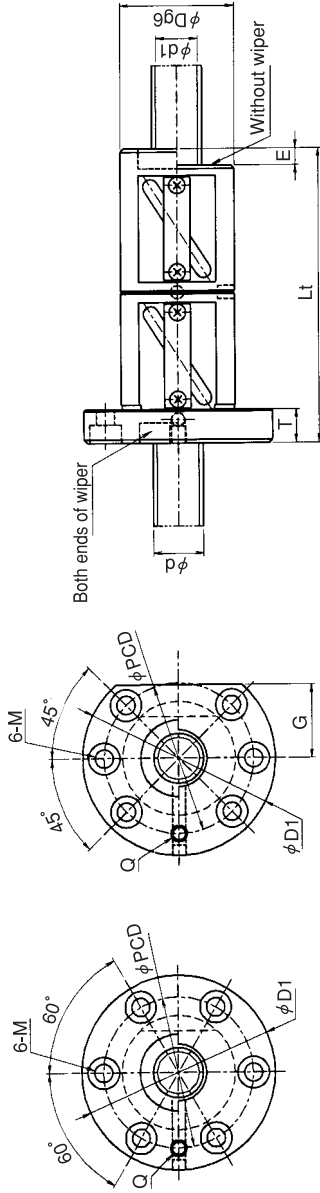
Wiper material P:Plastics wiper L:Lip seal

Refer to page 24 for NOTATION OF MODEL NUMBER.

Tube Method Double Nut

Screw shaft diameter Ø32

(Unit:mm)



Flange type C

Flange type D

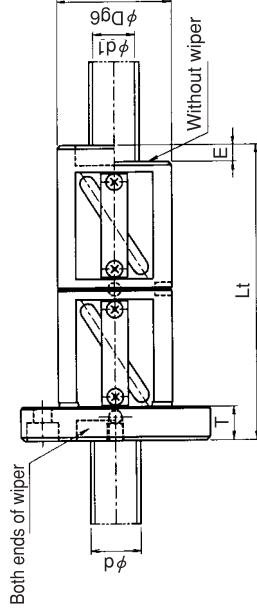
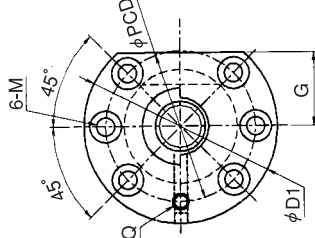
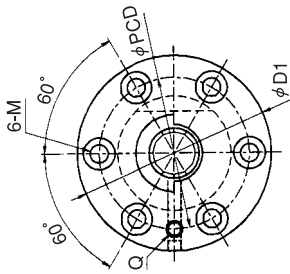
Model No.	Screw shaft diameter d	Lead L	Ball diameter Db	Root diameter d1	Number of circuits Turn/Circuit	Basic dynamic load rating C (N)	Basic static load rating Co (N)	Rigidity K _{rw} (N/μm)	Nut dimensions												
									Outer diameter D	Overall length Lt	Wiper length L	Without wiper E	Flange dimensions			Mounting hole					
													Thickness T	Outer diameter D ₁	Type	Oil hole G	Q	PCD	Drill	Spot facing M	Depth
GR3210BD-CALR	32	10	6.3500	27.2	1.5X2	30300	66700	450	74	158	L	8	15	108	C	-	M6	90	9	14	8.6
GR3210BD-DALR	32	10	6.3500	27.2	1.5X2	30300	66700	450	74	158	L	8	15	108	D	41	M6	90	9	14	8.6
GR3210DD-CALR	32	10	6.3500	27.2	2.5X1	25800	55600	380	74	118	L	8	15	108	C	-	M6	90	9	14	8.6
GR3210DD-DALR	32	10	6.3500	27.2	2.5X1	25800	55600	380	74	118	L	8	15	108	D	41	M6	90	9	14	8.6
GR3210ED-CALR	32	10	6.3500	27.2	2.5X2	46900	111200	720	74	178	L	8	15	108	C	-	M6	90	9	14	8.6
GR3210ED-DALR	32	10	6.3500	27.2	2.5X2	46900	111200	720	74	178	L	8	15	108	D	41	M6	90	9	14	8.6
GR3212DD-CAPR	32	12	6.3500	27.2	2.5X1	25800	55600	420	74	141	P	8	18	108	C	-	M6	90	9	14	8.6
GR3212DD-DAPR	32	12	6.3500	27.2	2.5X1	25800	55600	420	74	141	P	8	18	108	D	41	M6	90	9	14	8.6
GR3212GD-CAPR	32	12	6.3500	27.2	3.5X1	34500	77800	570	74	165	P	8	18	108	C	-	M6	90	9	14	8.6
GR3212GD-DAPR	32	12	6.3500	27.2	3.5X1	34500	77800	570	74	165	P	8	18	108	D	41	M6	90	9	14	8.6

Wiper material P:Plastics wiper L:Lip seal

KURODA Customized Ground Ball Screw:GR Series(Accuracy grade C0-C10)

Tube Method Double Nut

Screw shaft diameter $\varnothing 36$



(Unit:mm)

Flange type C

Flange type D

Model No.	Screw shaft diameter d	Lead L	Ball diameter D _b	Root diameter d _t	Number of circuits Turn/Circuit	Basic static load rating		Rigidity K _{rw} (N/μm)	Nut dimensions			Mounting hole									
						C (N)	C ₀ (N)		Type	G	Q	M									
												Thickness	Outer diameter	Drill	Spot facing	Depth					
GR3605DD-CAPR	36	5	3.1750	33.5	2.5X1	11000	32300	400	64	76	P	5	15	98	C	-	M6	80	9	14	8.6
GR3605DD-DAPR	36	5	3.1750	33.5	2.5X1	11000	32300	400	64	76	P	5	15	98	D	38	M6	80	9	14	8.6
GR3605ED-CAPR	36	5	3.1750	33.5	2.5X2	20100	64600	750	64	106	P	5	15	98	C	-	M6	80	9	14	8.6
GR3605ED-DAPR	36	5	3.1750	33.5	2.5X2	20100	64600	750	64	106	P	5	15	98	D	38	M6	80	9	14	8.6
GR3605FD-CAPR	36	5	3.1750	33.5	2.5X3	28300	96900	1080	64	136	P	5	15	98	C	-	M6	80	9	14	8.6
GR3605FD-DAPR	36	5	3.1750	33.5	2.5X3	28300	96900	1080	64	136	P	5	15	98	D	38	M6	80	9	14	8.6
GR3606DD-CAPR	36	6	3.9688	32.6	2.5X1	15100	39800	410	66	88	P	5	15	100	C	-	M6	82	9	14	8.6
GR3606DD-DAPR	36	6	3.9688	32.6	2.5X1	15100	39800	410	66	88	P	5	15	100	D	38	M6	82	9	14	8.6
GR3606ED-CAPR	36	6	3.9688	32.6	2.5X2	27200	79600	770	66	124	P	5	15	100	C	-	M6	82	9	14	8.6
GR3606ED-DAPR	36	6	3.9688	32.6	2.5X2	27200	79600	770	66	124	P	5	15	100	D	38	M6	82	9	14	8.6
GR3606FD-CAPR	36	6	3.9688	32.6	2.5X3	38500	119400	1090	66	160	P	5	15	100	C	-	M6	82	9	14	8.6
GR3606FD-DAPR	36	6	3.9688	32.6	2.5X3	38500	119400	1090	66	160	P	5	15	100	D	38	M6	82	9	14	8.6
GR3608DD-CAPR	36	8	4.7625	32.0	2.5X1	19200	47900	410	70	97	P	6	15	104	C	-	M6	86	9	14	8.6
GR3608DD-DAPR	36	8	4.7625	32.0	2.5X1	19200	47900	410	70	97	P	6	15	104	D	40	M6	86	9	14	8.6
GR3608ED-CAPR	36	8	4.7627	32.0	2.5X2	34700	95800	780	70	145	P	6	15	104	C	-	M6	86	9	14	8.6
GR3608ED-DAPR	36	8	4.7628	32.0	2.5X2	34700	95800	780	70	145	P	6	15	104	D	40	M6	86	9	14	8.6
GR3610DD-CALR	36	10	6.3500	31.2	2.5X1	27600	63000	420	76	118	L	8	15	110	C	-	M6	92	9	14	8.6
GR3610DD-DALR	36	10	6.3500	31.2	2.5X1	27600	63000	420	76	118	L	8	15	110	D	42	M6	92	9	14	8.6
GR3610ED-CALR	36	10	6.3500	31.2	2.5X2	50100	126000	800	76	178	L	8	15	110	C	-	M6	92	9	14	8.6
GR3610ED-DALR	36	10	6.3500	31.2	2.5X2	50100	126000	800	76	178	L	8	15	110	D	42	M6	92	9	14	8.6
GR3612DD-CAPR	36	12	7.1438	30.6	2.5X1	32800	69700	440	81	141	P	8	18	123	C	-	M6	101	11	17.5	10.8
GR3612DD-DAPR	36	12	7.1438	30.6	2.5X1	32800	69700	440	81	141	P	8	18	123	D	47	M6	101	11	17.5	10.8
GR3612GD-CAPR	36	12	7.1438	30.6	3.5X1	43700	97600	600	81	165	P	8	18	123	C	-	M6	101	11	17.5	10.8
GR3612GD-DAPR	36	12	7.1438	30.6	3.5X1	43700	97600	600	81	165	P	8	18	123	D	47	M6	101	11	17.5	10.8

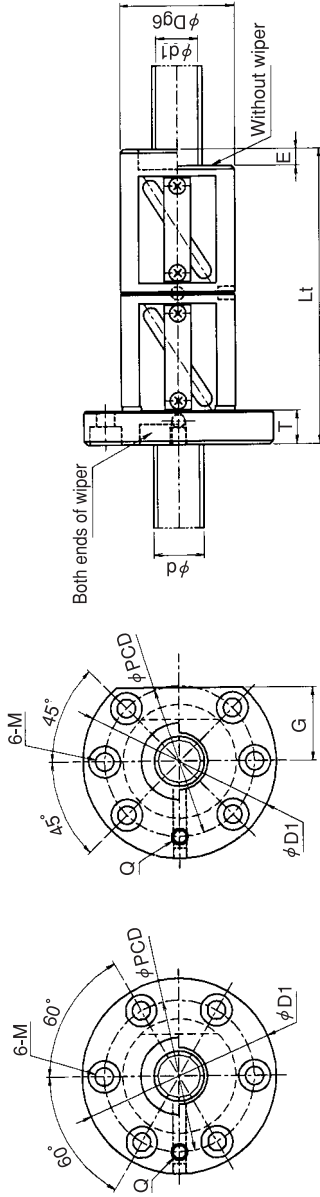
Wiper material P:Plastics wiper L:Lip seal

Refer to page 24 for NOTATION OF MODEL NUMBER.

Tube Method Double Nut

Screw shaft diameter Ø40

(Unit:mm)



Flange type D

Flange type C

Model No.	Screw shaft diameter d	Lead L	Ball diameter Db	Root diameter d1	Number of circuits Turn/Circuit	Basic dynamic load rating C (N)	Basic static load rating Co (N)	Rigidity K _{sw} (N/μm)	Nut dimensions												
									Outer diameter D	Overall length Lt	Wiper E	Without wiper	Flange dimensions			Oil hole			Mounting hole		
													Thickness	Outer diameter	Type	G	Q	PCD	Drill	Spot facing	Depth
GR4005DD-CAPR	40	5	3.1750	37.5	2.5X1	11600	36000	430	67	76	P	5	15	101	C	-	Rc1/8	83	9	14	8.6
GR4005DD-DAPR	40	5	3.1750	37.5	2.5X1	11600	36000	430	67	76	P	5	15	101	D	39	Rc1/8	83	9	14	8.6
GR4005ED-CAPR	40	5	3.1750	37.5	2.5X2	21000	72000	800	67	106	P	5	15	101	C	-	Rc1/8	83	9	14	8.6
GR4005ED-DAPR	40	5	3.1750	37.5	2.5X2	21000	72000	800	67	106	P	5	15	101	D	39	Rc1/8	83	9	14	8.6
GR4005FD-CAPR	40	5	3.1750	37.5	2.5X3	29800	108000	1150	67	136	P	5	15	101	C	-	Rc1/8	83	9	14	8.6
GR4005FD-DAPR	40	5	3.1750	37.5	2.5X3	29800	108000	1150	67	136	P	5	15	101	D	39	Rc1/8	83	9	14	8.6
GR4006BD-CAPR	40	6	3.9688	36.6	1.5X2	18200	52800	540	70	112	P	5	15	104	C	-	Rc1/8	86	9	14	8.6
GR4006BD-DAPR	40	6	3.9688	36.6	1.5X2	18200	52800	540	70	112	P	5	15	104	D	40	Rc1/8	86	9	14	8.6
GR4006ED-CAPR	40	6	3.9688	36.6	2.5X2	28300	88000	850	70	124	P	5	15	104	C	-	Rc1/8	86	9	14	8.6
GR4006ED-DAPR	40	6	3.9688	36.6	2.5X2	28300	88000	850	70	124	P	5	15	104	D	40	Rc1/8	86	9	14	8.6
GR4006FD-CAPR	40	6	3.9688	36.6	2.5X3	40200	132000	1200	70	160	P	5	15	104	C	-	Rc1/8	86	9	14	8.6
GR4006FD-DAPR	40	6	3.9688	36.6	2.5X3	40200	132000	1200	70	160	P	5	15	104	D	40	Rc1/8	86	9	14	8.6
GR4008DD-CALR	40	8	4.7625	36.0	2.5X1	19600	54200	460	74	97	L	6	15	108	C	-	Rc1/8	90	9	14	8.6
GR4008DD-DALR	40	8	4.7625	36.0	2.5X1	19600	54200	460	74	97	L	6	15	108	D	41	Rc1/8	90	9	14	8.6
GR4008ED-CALR	40	8	4.7625	36.0	2.5X2	35600	108400	870	74	145	L	6	15	108	C	-	Rc1/8	90	9	14	8.6
GR4008ED-DALR	40	8	4.7625	36.0	2.5X2	35600	108400	870	74	145	L	6	15	108	D	41	Rc1/8	90	9	14	8.6

Wiper material P:Plastics wiper L:Lip seal

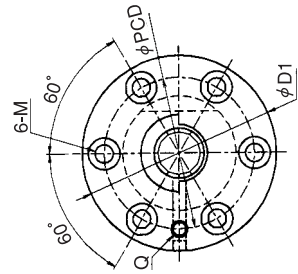
Refer to page 24 for NOTATION OF MODEL NUMBER.

KURODA Customized Ground Ball Screw:GR Series(Accuracy grade C0-C10)

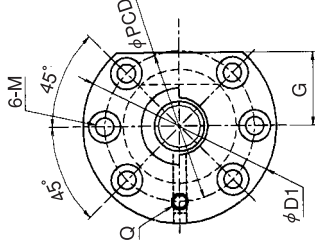
Tube Method Double Nut

Screw shaft diameter $\varnothing 40$

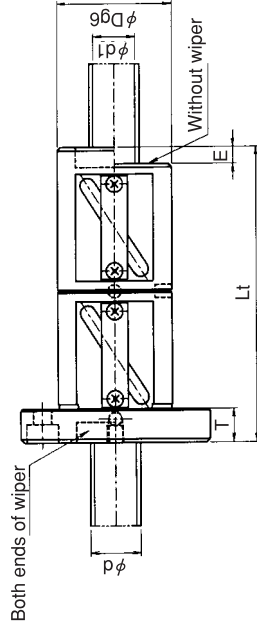
(Unit:mm)



Flange type C



Flange type D



Model No.	Screw shaft diameter d	Lead L	Ball diameter D _b	Root diameter d _i	Number of circuits Turn/Circuit	Basic dynamic load rating C (N)	Basic static load rating C ₀ (N)	Rigidity K _{rw} (N/μm)	Nut dimensions				Mounting hole								
									Overall length Lt	Wiper E	Without wiper	Flange dimensions		Oil hole Q	PCD	M					
												Thickness	Outer diameter			Type	Drill	Spot facing	Depth		
GR4010BD-CALR	40	10	6.3500	35.2	1.5X2	34200	89200	560	82	161	L	8	18	124	C	-	Rc1/8	102	11	17.5	10.8
GR4010BD-DALR	40	10	6.3500	35.2	1.5X2	34200	89200	560	82	161	L	8	18	124	D	47	Rc1/8	102	11	17.5	10.8
GR4010DD-CALR	40	10	6.3500	35.2	2.5X1	29300	74300	460	82	121	L	8	18	124	C	-	Rc1/8	102	11	17.5	10.8
GR4010DD-DALR	40	10	6.3500	35.2	2.5X1	29300	74300	460	82	121	L	8	18	124	D	47	Rc1/8	102	11	17.5	10.8
GR4010ED-CALR	40	10	6.3500	35.2	2.5X2	53000	140800	880	82	181	L	8	18	124	C	-	Rc1/8	102	11	17.5	10.8
GR4010ED-DALR	40	10	6.3500	35.2	2.5X2	53000	140800	880	82	181	L	8	18	124	D	47	Rc1/8	102	11	17.5	10.8
GR4012DD-CALR	40	12	7.1438	34.6	2.5X1	35100	79000	490	86	141	L	8	18	128	C	-	Rc1/8	106	11	17.5	10.8
GR4012DD-DALR	40	12	7.1438	34.6	2.5X1	35100	79000	490	86	141	L	8	18	128	D	48	Rc1/8	106	11	17.5	10.8
GR4012ED-CALR	40	12	7.1438	34.6	2.5X2	63700	158000	930	86	213	L	8	18	128	C	-	Rc1/8	106	11	17.5	10.8
GR4012ED-DALR	40	12	7.1438	34.6	2.5X2	63700	158000	930	86	213	L	8	18	128	D	48	Rc1/8	106	11	17.5	10.8
GR4016DD-CAPR	40	16	7.1438	34.6	2.5X1	35100	79000	490	86	155	P	9	22	128	C	-	Rc1/8	106	11	17.5	10.8
GR4016DD-DAPR	40	16	7.1438	34.6	2.5X1	35100	79000	490	86	155	P	9	22	128	D	48	Rc1/8	106	11	17.5	10.8
GR4016GD-CALR	40	16	7.1438	34.6	3.5X1	46800	110600	670	86	187	L	9	22	128	C	-	Rc1/8	106	11	17.5	10.8
GR4016GD-DALR	40	16	7.1438	34.6	3.5X1	46800	110600	670	86	187	L	9	22	128	D	48	Rc1/8	106	11	17.5	10.8
GR4020DD-CAPR	40	20	7.1438	34.6	2.5X1	35100	79000	490	86	185	P	9	22	128	C	-	Rc1/8	106	11	17.5	10.8
GR4020DD-DAPR	40	20	7.1438	34.6	2.5X1	35100	79000	490	86	185	P	9	22	128	D	48	Rc1/8	106	11	17.5	10.8
GR4020GD-CAPR	40	20	7.1438	34.6	3.5X1	46800	110600	670	86	225	P	9	22	128	C	-	Rc1/8	106	11	17.5	10.8
GR4020GD-DAPR	40	20	7.1438	34.6	3.5X1	46800	110600	670	86	225	P	9	22	128	D	48	Rc1/8	106	11	17.5	10.8

Wiper material P:Plastics wiper L:Lip seal

Refer to page 24 for NOTATION OF MODEL NUMBER.