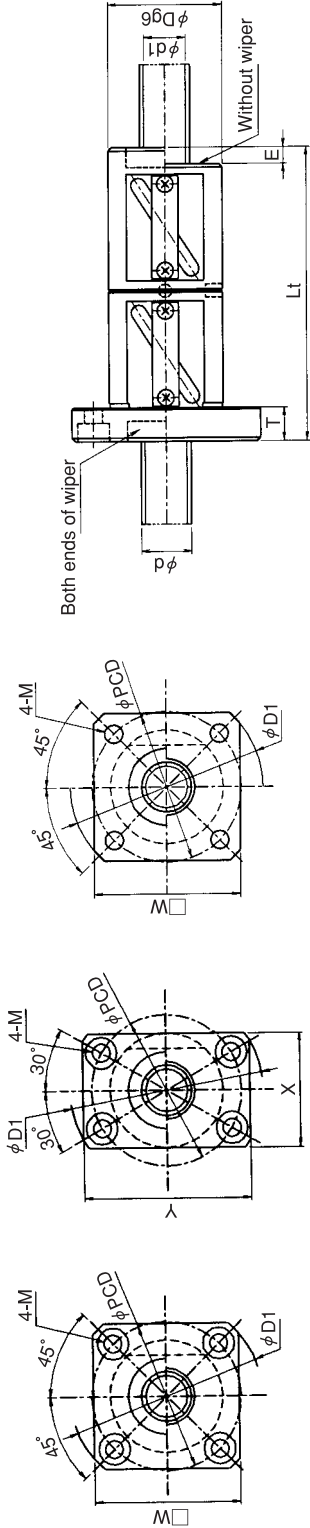


Tube Method Double Nut

Screw shaft diameter Ø8-Ø12

(Unit:mm)



Flange type A

Flange type B

Flange type E

Model No.	Screw shaft diameter d	Lead L	Ball diameter Db	Root diameter d1	Number of circuits Turn/Circuit	Basic dynamic load rating C (N)	Basic static load rating Co (N)	Rigidity K _{sw} (N/μm)	Nut dimensions												
									Overall length Lt		Wiper	Without wiper	Outer diameter D	Flange diameter			Flange dimensions			Mounting hole	
									φD1	φPCD				Thickness	T	D1	Type	W	X	Y	PCD
GR080DD-AAFR	8	2	1.5875	6.6	2.5X1	1950	2600	100	54	F	3	5	36	A	28	-	-	27	3.4	6.5	3.3
GR082FDD-AAFR	8	2.5	2.0000	6.3	2.5X1	2350	3300	100	54	F	2	5	38	A	29	-	-	29	3.4	6.5	3.3
GR0803DD-AAFR	8	3	2.0000	6.3	2.5X1	2350	3300	100	54	F	3	5	38	A	29	-	-	29	3.4	6.5	3.3
GR0804DD-AAFR	8	4	2.0000	6.3	2.5X1	2350	3300	100	54	F	3	5	38	A	29	-	-	29	3.4	6.5	3.3
GR1002DD-EAFR	10	2	1.5875	8.6	2.5X1	2250	3300	120	54	F	3	5	40	E	31	-	-	31	4.5	-	-
GR102FDD-AAFR	10	2.5	2.0000	8.3	2.5X1	2700	4200	120	60	F	5	8	43	A	33	-	-	32	4.5	8	4.4
GR1003DD-AAFR	10	3	2.0000	8.3	2.5X1	2700	4200	120	60	P	6	8	43	A	33	-	-	32	4.5	8	4.4
GR1004DD-AAFR	10	4	2.3812	8.1	2.5X1	3350	5900	120	65	P	3	8	45	A	35	-	-	34	4.5	8	4.4
GR1004DD-BAPR	10	4	2.3812	8.1	2.5X1	3350	5900	120	65	P	3	8	46	B	-	28	42	36	4.5	8	4.4
GR1005DD-AAFR	10	5	2.3812	8.1	2.5X1	3350	5900	120	70	P	5	8	45	A	35	-	-	34	4.5	8	4.4
GR1005DD-BAPR	10	5	2.3812	8.1	2.5X1	3350	5900	120	70	P	5	8	46	B	-	28	42	36	4.5	8	4.4
GR1202DD-AAFR	12	2	1.5875	10.6	2.5X1	2450	4100	140	59	P	5	8	44	A	34	-	-	33	4.5	8	4.4
GR122FDD-AAFR	12	2.5	2.0000	10.3	2.5X1	2950	5100	140	59	P	4	8	45	A	35	-	-	34	4.5	8	4.4
GR1203DD-AAFR	12	3	2.0000	10.3	2.5X1	2950	5100	140	59	P	5	8	45	A	35	-	-	34	4.5	8	4.4
GR1204DD-AAFR	12	4	2.3812	10.1	2.5X1	3600	6750	140	69	L	5	10	54	A	41	-	-	41	5.5	9.5	5.4
GR1205DD-AAFR	12	5	3.1750	9.5	2.5X1	5950	9800	150	79	L	3	10	54	A	41	-	-	41	5.5	9.5	5.4
GR1205DD-BALR	12	5	3.1750	9.5	2.5X1	5950	9800	150	79	L	3	10	50	B	-	32	45	40	4.5	8	4.4
GR1206DD-AAFR	12	6	3.1750	9.5	2.5X1	5950	9800	150	81	P	3	10	54	A	41	-	-	41	5.5	9.5	5.4
GR1206DD-BAPR	12	6	3.1750	9.5	2.5X1	5950	9800	150	81	P	3	10	54	B	-	32	48	41	5.5	9.5	5.4

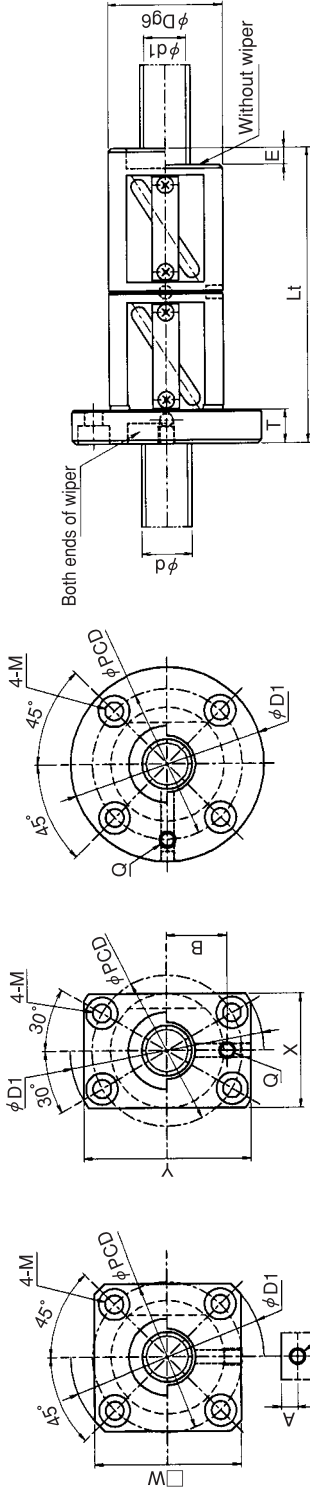
Wiper material F:Felt wiper P:Plastics wiper L:Lip seal

Refer to page 24 for NOTATION OF MODEL NUMBER.

Tube Method Double Nut

Screw shaft diameter Ø20

(Unit:mm)



Flange type A

Flange type B

Flange type C1

Model No.	Screw shaft diameter d	Lead L	Ball diameter Db	Root diameter dr	Number of circuits Turn/Circuit	Basic dynamic load rating		Rigidity K _{rw} (N/μm)	Nut dimensions																
						C (N)	C ₀ (N)		Flange dimensions					Oil hole					Mounting hole						
									Outer diameter D	Overall length Lt	Wiper	Without wiper	Type	Thickness	Outer diameter D ₁	W	X	Y	A	B	Q	PCD	Drill	Spotfacing	Depth
GR202FDD-AAPR	20	2.5	2.0000	18.3	2.5X1	3800	8800	230	38	61	P	4	10	62	A	47	-	-	5	-	M6	49	5.5	9.5	5.4
GR202FDD-CAPR	20	2.5	2.0000	18.3	2.5X1	3800	8800	230	38	61	P	4	10	62	C1	-	-	-	-	-	M6	49	5.5	9.5	5.4
GR2004DD-AALR	20	4	2.3812	18.1	2.5X1	4700	11700	240	40	73	L	3	10	64	A	49	-	-	5.5	-	M6	51	5.5	9.5	5.4
GR2004DD-CALR	20	4	2.3812	18.1	2.5X1	4700	11700	240	40	73	L	3	10	64	C1	-	-	-	-	-	M6	51	5.5	9.5	5.4
GR2004ED-AALR	20	4	2.3812	18.1	2.5X2	8600	23400	440	40	89	L	3	10	64	A	49	-	-	5.5	-	M6	51	5.5	9.5	5.4
GR2004ED-CALR	20	4	2.3812	18.1	2.5X2	8600	23400	440	40	89	L	3	10	64	C1	-	-	-	-	-	M6	51	5.5	9.5	5.4
GR2005BD-AALR	20	5	3.1750	17.5	1.5X2	9800	21000	290	40	93	L	5	12	68	A	52	-	-	7	-	M6	53	6.6	11	6.5
GR2005BD-CALR	20	5	3.1750	17.5	1.5X2	9800	21000	290	40	93	L	5	12	68	C1	-	-	-	-	-	M6	53	6.6	11	6.5
GR2005DD-BALR	20	5	3.1750	17.5	2.5X1	8350	17500	240	40	83	L	5	12	68	B	-	40	60	-	21	M6	53	6.6	11	6.5
GR2005DD-CALR	20	5	3.1750	17.5	2.5X1	8350	17500	240	40	83	L	5	12	68	C1	-	-	-	-	-	M6	53	6.6	11	6.5
GR2005ED-AALR	20	5	3.1750	17.5	2.5X2	15150	35000	460	40	103	L	5	12	68	A	52	-	-	7	-	M6	53	6.6	11	6.5
GR2005ED-CALR	20	5	3.1750	17.5	2.5X2	15150	35000	460	40	103	L	5	12	68	C1	-	-	-	-	-	M6	53	6.6	11	6.5
GR2006BD-AAPR	20	6	3.9688	16.6	1.5X2	12900	25600	290	44	109	P	5	12	72	A	55	-	-	7	-	M6	57	6.6	11	6.5
GR2006BD-CAPR	20	6	3.9688	16.6	1.5X2	12900	25600	290	44	109	P	5	12	72	C1	-	-	-	-	-	M6	57	6.6	11	6.5
GR2006DD-AAPR	20	6	3.9688	16.6	2.5X1	11000	21300	240	44	85	P	5	12	72	A	55	-	-	7.5	-	M6	57	6.6	11	6.5
GR2006DD-CAPR	20	6	3.9688	16.6	2.5X1	11000	21300	240	44	85	P	5	12	72	C1	-	-	-	-	-	M6	57	6.6	11	6.5
GR2008DD-AAPR	20	8	4.7625	16.0	2.5X1	13500	25100	240	46	111	P	5	15	74	A	56	-	-	10	-	M6	59	6.6	11	6.5
GR2008DD-CAPR	20	8	4.7625	16.0	2.5X1	13500	25100	240	46	111	P	5	15	74	C1	-	-	-	-	-	M6	59	6.6	11	6.5
GR2010AD-AALR	20	10	4.7625	16.0	1.5X1	9200	16200	160	46	97	L	6	15	74	A	56	-	-	10	-	M6	59	6.6	11	6.5
GR2010AD-BALR	20	10	4.7625	16.0	1.5X1	9200	16200	160	46	97	L	6	15	74	B	-	46	66	-	24	M6	59	6.6	11	6.5
GR2010DD-AALR	20	10	4.7625	16.0	2.5X1	13500	25100	240	46	115	L	6	15	74	A	56	-	-	10	-	M6	59	6.6	11	6.5
GR2010DD-BALR	20	10	4.7625	16.0	2.5X1	13500	25100	240	46	115	L	6	15	74	B	-	46	66	-	24	M6	59	6.6	11	6.5

Wiper material P:Plastics wiper L:Lip seal

Refer to page 24 for NOTATION OF MODEL NUMBER.