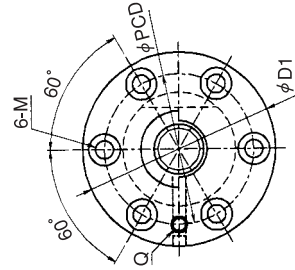


KURODA Customized Ground Ball Screw:GR Series(Accuracy grade C0-C10)

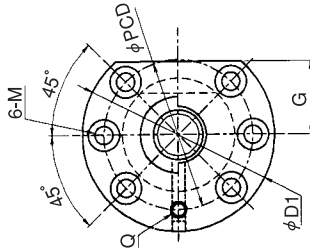
Tube Method Integral Nut

Screw shaft diameter $\varnothing 36$

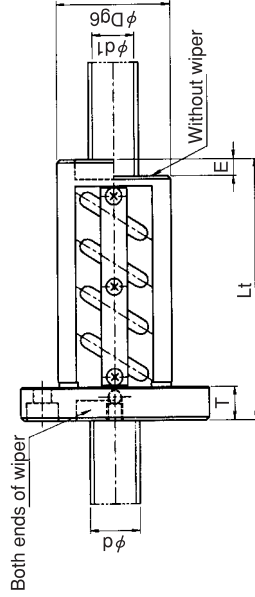
(Unit:mm)



Flange type C



Flange type D



Model No.	Screw shaft diameter d	Lead L	Ball diameter Db	Root diameter di	Number of circuits Turn/Circuit	Basic dynamic load rating C (N)	Basic static load rating Co (N)	Rigidity K _{rw} (N/μm)	Nut dimensions				Mounting hole								
									Outer diameter		Flange dimensions		Oil hole		M						
									D	Lt	Thickness	Outer diameter	Type	G	Q	Drill	Spot facing	Depth			
GR3605DT-CAPR	36	5	3.1750	33.5	2.5X1	11000	32300	400	64	61	P	5	15	98	C	-	M6	80	9	14	8.6
GR3605DT-DAPR	36	5	3.1750	33.5	2.5X1	11000	32300	400	64	61	P	5	15	98	D	38	M6	80	9	14	8.6
GR3605ET-CAPR	36	5	3.1750	33.5	2.5X2	20100	64600	750	64	91	P	5	15	98	C	-	M6	80	9	14	8.6
GR3605ET-DAPR	36	5	3.1750	33.5	2.5X2	20100	64600	750	64	91	P	5	15	98	D	38	M6	80	9	14	8.6
GR3606DT-CAPR	36	6	3.9688	32.6	2.5X1	15100	39800	410	66	70	P	5	15	100	C	-	M6	82	9	14	8.6
GR3606DT-DAPR	36	6	3.9688	32.6	2.5X1	15100	39800	410	66	70	P	5	15	100	D	38	M6	82	9	14	8.6
GR3606ET-CAPR	36	6	3.9688	32.6	2.5X2	27200	79600	770	66	106	P	5	15	100	C	-	M6	82	9	14	8.6
GR3606ET-DAPR	36	6	3.9688	32.6	2.5X2	27200	79600	770	66	106	P	5	15	100	D	38	M6	82	9	14	8.6
GR3610AT-CAPR	36	10	6.3500	31.2	1.5X1	17800	37800	260	76	88	P	8	15	110	C	-	M6	92	9	14	8.6
GR3610AT-DAPR	36	10	6.3500	31.2	1.5X1	17800	37800	260	76	88	P	8	15	110	D	42	M6	92	9	14	8.6
GR3610DT-CAPR	36	10	6.3500	31.2	2.5X1	27600	63000	420	76	98	P	8	15	110	C	-	M6	92	9	14	8.6
GR3610DT-DAPR	36	10	6.3500	31.2	2.5X1	27600	63000	420	76	98	P	8	15	110	D	42	M6	92	9	14	8.6
GR3610GT-CAPR	36	10	6.3500	31.2	3.5X1	36900	88200	580	76	118	P	8	15	110	C	-	M6	92	9	14	8.6
GR3610GT-DAPR	36	10	6.3500	31.2	3.5X1	36900	88200	580	76	118	P	8	15	110	D	42	M6	92	9	14	8.6

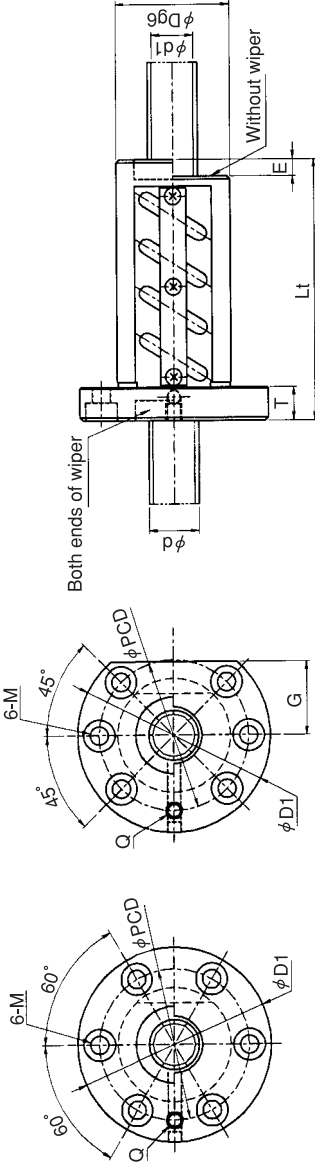
Wiper material P:Plastics wiper

Refer to page 24 for NOTATION OF MODEL NUMBER.

Tube Method Integral Nut

Screw shaft diameter $\phi 40, \phi 45$

(Unit:mm)



Flange type C

Flange type D

Model No.	Screw shaft diameter d	Lead L	Ball diameter Db	Root diameter dr	Number of circuits Turn/Circuit	Basic dynamic load rating C (N)	Basic static load rating Co (N)	Rigidity K _{rw} (N/μm)	Nut dimensions				Mounting hole				
									Outer diameter D	Overall length Lt	Wiper	Without wiper	Flange dimensions	Oil hole	PCD	M	
									Thickness T	Outer diameter D ₁	Type G	Q	Drill	Spot facing	Depth		
GR4006DT-CAPR	40	6	3.9688	36.6	2.5X1	14200	44000	430	5	104	C	-	Rc1/8	86	9	14	8.6
GR4006DT-DAPR	40	6	3.9688	36.6	2.5X1	14200	44000	430	5	104	D	40	Rc1/8	86	9	14	8.6
GR4006ET-CAPR	40	6	3.9688	36.6	2.5X2	28300	88000	850	5	104	C	-	Rc1/8	86	9	14	8.6
GR4006ET-DAPR	40	6	3.9688	36.6	2.5X2	28300	88000	850	5	104	D	40	Rc1/8	86	9	14	8.6
GR4008DT-CALR	40	8	4.7625	36.0	2.5X1	19600	54200	460	6	108	C	-	Rc1/8	90	9	14	8.6
GR4008DT-DALR	40	8	4.7625	36.0	2.5X1	19600	54200	460	6	108	D	41	Rc1/8	90	9	14	8.6
GR4008ET-CALR	40	8	4.7625	36.0	2.5X2	35600	108400	870	6	108	C	-	Rc1/8	90	9	14	8.6
GR4008ET-DALR	40	8	4.7625	36.0	2.5X2	35600	108400	870	6	108	D	41	Rc1/8	90	9	14	8.6
GR4010DT-CALR	40	10	6.3500	35.2	2.5X1	29300	74300	460	8	124	C	-	Rc1/8	102	11	17.5	10.8
GR4010DT-DALR	40	10	6.3500	35.2	2.5X1	29300	74300	460	8	124	D	47	Rc1/8	102	11	17.5	10.8
GR4010BT-CALR	40	10	6.3500	35.2	1.5X2	34200	89200	560	8	124	C	-	Rc1/8	102	11	17.5	10.8
GR4010BT-DALR	40	10	6.3500	35.2	1.5X2	34200	89200	560	8	124	D	47	Rc1/8	102	11	17.5	10.8
GR4010GT-CALR	40	10	6.3500	35.2	3.5X1	39100	104000	640	8	124	C	-	Rc1/8	102	11	17.5	10.8
GR4010GT-DALR	40	10	6.3500	35.2	3.5X1	39100	104000	640	8	124	D	47	Rc1/8	102	11	17.5	10.8
GR4012DT-CALR	40	12	7.1438	34.6	2.5X1	35100	79000	490	8	128	C	-	Rc1/8	106	11	17.5	10.8
GR4012DT-DALR	40	12	7.1438	34.6	2.5X1	35100	79000	490	8	128	D	48	Rc1/8	106	11	17.5	10.8
GR4510DT-CALR	45	10	6.3500	40.2	2.5X1	31500	81500	530	8	128	C	-	Rc1/8	106	11	17.5	10.8
GR4510DT-DALR	45	10	6.3500	40.2	2.5X1	31500	81500	530	8	128	D	48	Rc1/8	106	11	17.5	10.8
GR4510ET-CALR	45	10	6.3500	40.2	2.5X2	57200	163000	990	8	128	C	-	Rc1/8	106	11	17.5	10.8
GR4510ET-DALR	45	10	6.3500	40.2	2.5X2	57200	163000	990	8	128	D	48	Rc1/8	106	11	17.5	10.8
GR4512DT-CALR	45	12	7.9375	38.8	2.5X1	41200	98500	520	7	140	C	-	Rc1/8	116	14	20	13
GR4512DT-DALR	45	12	7.9375	38.8	2.5X1	41200	98500	520	7	140	D	53	Rc1/8	116	14	20	13

Wiper material P:Plastics wiper L:Lip seal

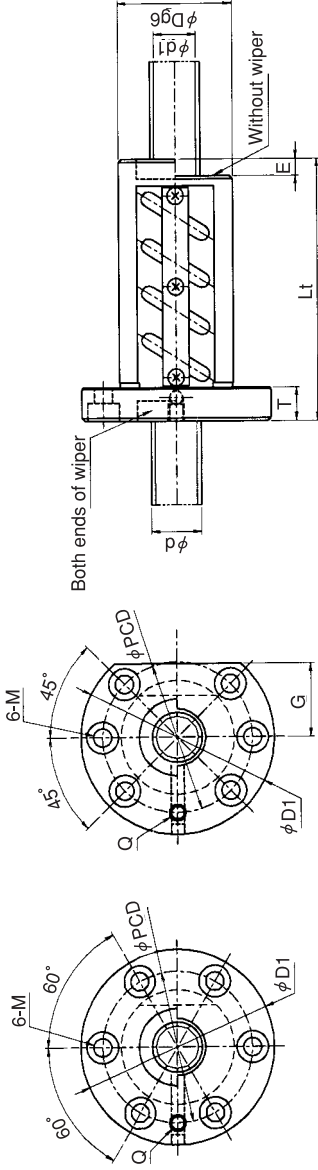
Refer to page 24 for NOTATION OF MODEL NUMBER.

KURODA Customized Ground Ball Screw:GR Series(Accuracy grade C0-C10)

Tube Method Integral Nut

Screw shaft diameter Ø50-Ø63

(Unit:mm)



Flange type D

Flange type C

Model No.	Screw shaft diameter d	Lead L	Ball diameter Db	Root diameter d1	Number of circuits Turn/Circuit	Basic dynamic load rating C (N)	Basic static load rating Co (N)	Rigidity K _{rw} (N/μm)	Nut dimensions				Mounting hole								
									Outer diameter D	Overall length Lt	Wiper E	Without wiper	Flange dimensions		Oil hole		M				
													Thickness	Outer diameter	Type	G	Q	Drill	Spot facing	Depth	
GR5010DT-CALR	50	10	6.3500	45.2	2.5X1	32800	88900	560	93	101	L	8	135	C	-	Rc1/8	113	11	17.5	10.8	
GR5010DT-DALR	50	10	6.3500	45.2	2.5X1	32800	88900	560	93	101	L	8	135	D	51	Rc1/8	113	11	17.5	10.8	
GR5010ET-CALR	50	10	6.3500	45.2	2.5X2	59400	177800	1060	93	161	L	8	135	C	-	Rc1/8	113	11	17.5	10.8	
GR5010ET-DALR	50	10	6.3500	45.2	2.5X2	59400	177800	1060	93	161	L	8	135	D	51	Rc1/8	113	11	17.5	10.8	
GR5012DT-CALR	50	12	7.9375	43.8	2.5X1	42600	110000	560	100	119	L	7	22	146	C	-	Rc1/8	122	14	20	13
GR5012DT-DALR	50	12	7.9375	43.8	2.5X1	42600	110000	560	100	119	L	7	22	146	D	55	Rc1/8	122	14	20	13
GR5510DT-CALR	55	10	6.3500	50.2	2.5X1	31400	100100	600	100	105	L	8	22	146	C	-	Rc1/8	122	14	20	13
GR5510DT-DALR	55	10	6.3500	50.2	2.5X1	31400	100100	600	100	105	L	8	22	146	D	55	Rc1/8	122	14	20	13
GR5510ET-CALR	55	10	6.3500	50.2	2.5X2	62700	200200	1170	100	165	L	8	22	146	C	-	Rc1/8	122	14	20	13
GR5510ET-DALR	55	10	6.3500	50.2	2.5X2	62700	200200	1170	100	165	L	8	22	146	D	55	Rc1/8	122	14	20	13
GR6310DT-CAPR	63	10	6.3500	58.2	2.5X1	36800	114900	700	108	105	P	8	22	154	C	-	Rc1/8	130	14	20	13
GR6310DT-DAPR	63	10	6.3500	58.2	2.5X1	36800	114900	700	108	105	P	8	22	154	D	58	Rc1/8	130	14	20	13
GR6310ET-CAPR	63	10	6.3500	58.2	2.5X2	66600	229800	1310	108	165	P	8	22	154	C	-	Rc1/8	130	14	20	13
GR6310ET-DAPR	63	10	6.3500	58.2	2.5X2	66600	229800	1310	108	165	P	8	22	154	D	58	Rc1/8	130	14	20	13
GR6312DT-CAPR	63	12	7.9375	56.8	2.5X1	48700	139000	700	115	119	P	7	22	161	C	-	Rc1/8	137	14	20	13
GR6312DT-DAPR	63	12	7.9375	56.8	2.5X1	48700	139000	700	115	119	P	7	22	161	D	61	Rc1/8	137	14	20	13

Wiper material P:Plastics wiper L:Lip seal

Refer to page 24 for NOTATION OF MODEL NUMBER.