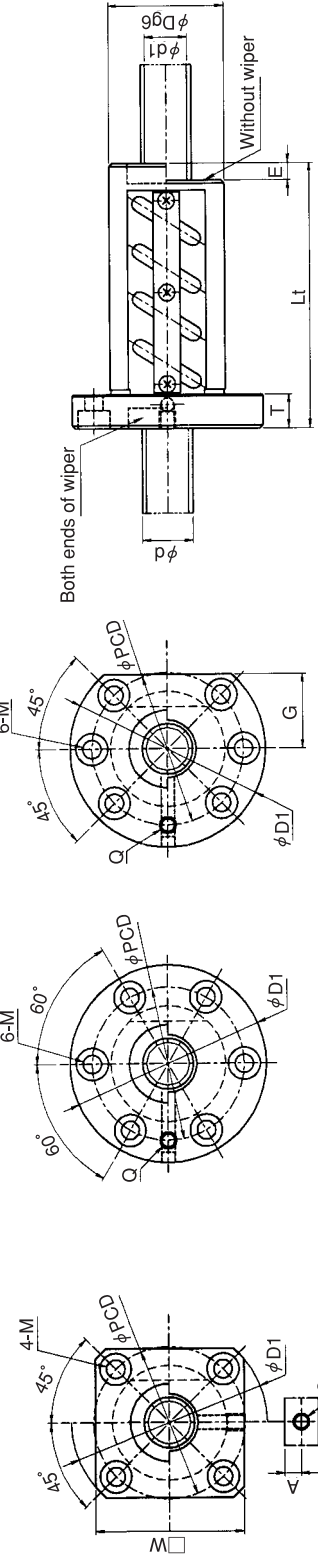


**KURODA** Customized Ground Ball Screw:GR Series(Accuracy grade C0-C10)

**Tube Method Integral Nut**

**Screw shaft diameter Ø20-Ø28**

(Unit:mm)



Flange type A

Flange type C

Flange type D

Model No.	Screw shaft diameter d	Lead L	Ball diameter Db	Root diameter dt	Number of circuits Turn/Circuit	Basic static load rating		Rigidity K <sub>sw</sub> (N/μm)	Overall length Lt		Wiper		Without wiper		Nut dimensions											
						C (N)	C <sub>0</sub> (N)		Type	W	A	G	Oil hole Q	PCD	Mounting hole M	Thickness T	Outer diameter D <sub>1</sub>	Type	W	A	G	Oil hole Q	PCD	Drill	Spotfacing	Depth
GR2004DT-AALR	20	4	2.3812	18.1	2.5X1	4700	11700	240	40	49	L	3	L	3	10	64	A	49	5.5	-	M6	51	5.5	9.5	5.4	
GR2004DT-CALR	20	4	2.3812	18.1	2.5X1	4700	11700	240	40	49	L	3	L	3	10	64	C	-	-	-	M6	51	5.5	9.5	5.4	
GR2004ET-AALR	20	4	2.3812	18.1	2.5X2	8600	23400	440	40	73	L	3	L	3	10	64	A	49	5.5	-	M6	51	5.5	9.5	5.4	
GR2004ET-CALR	20	4	2.3812	18.1	2.5X2	8600	23400	440	40	73	L	3	L	3	10	64	C	-	-	-	M6	51	5.5	9.5	5.4	
GR2005DT-AALR	20	5	3.1750	17.5	2.5X1	8350	17500	240	40	58	L	5	L	5	12	68	A	52	7	-	M6	53	6.6	11	6.5	
GR2005DT-CALR	20	5	3.1750	17.5	2.5X1	8350	17500	240	40	58	L	5	L	5	12	68	C	-	-	-	M6	53	6.6	11	6.5	
GR2005ET-AALR	20	5	3.1750	17.5	2.5X2	15150	35000	460	40	88	L	5	L	5	12	68	A	52	7	-	M6	53	6.6	11	6.5	
GR2005ET-CALR	20	5	3.1750	17.5	2.5X2	15150	35000	460	40	88	L	5	L	5	12	68	C	-	-	-	M6	53	6.6	11	6.5	
GR2504DT-AAPR	25	4	2.3812	23.1	2.5X1	5200	14400	280	46	55	P	3	L	3	12	74	A	56	7.5	-	M6	59	6.6	11	6.5	
GR2504DT-CAPR	25	4	2.3812	23.1	2.5X1	5200	14400	280	46	55	P	3	L	3	12	74	C	-	-	-	M6	59	6.6	11	6.5	
GR2504ET-AAPR	25	4	2.3812	23.1	2.5X2	9400	28800	520	46	79	P	3	L	3	12	74	A	56	7.5	-	M6	59	6.6	11	6.5	
GR2504ET-CAPR	25	4	2.3812	23.1	2.5X2	9400	28800	520	46	79	P	3	L	3	12	74	C	-	-	-	M6	59	6.6	11	6.5	
GR2505DT-AALR	25	5	3.1750	22.5	2.5X1	9400	22200	300	47	58	L	5	L	5	12	74	A	57	7.5	-	M6	60	6.6	11	6.5	
GR2505DT-CALR	25	5	3.1750	22.5	2.5X1	9400	22200	300	47	58	L	5	L	5	12	74	C	-	-	-	M6	60	6.6	11	6.5	
GR2505ET-AALR	25	5	3.1750	22.5	2.5X2	17000	44400	560	47	88	L	5	L	5	12	74	A	57	7.5	-	M6	60	6.6	11	6.5	
GR2505ET-CALR	25	5	3.1750	22.5	2.5X2	17000	44400	560	47	88	L	5	L	5	12	74	C	-	-	-	M6	60	6.6	11	6.5	
GR2508DT-AAPR	25	8	4.7625	21.0	2.5X1	16100	33400	310	52	81	P	6	L	6	15	86	A	66	10	-	M6	68	9	14	8.6	
GR2508DT-CAPR	25	8	4.7625	21.0	2.5X1	16100	33400	310	52	81	P	6	L	6	15	86	C	-	-	-	M6	68	9	14	8.6	
GR2805DT-CAPR	28	5	3.1750	25.5	2.5X1	9800	24900	330	54	58	P	5	L	5	12	82	C	-	-	-	M6	67	6.6	11	6.5	
GR2805DT-DAPR	28	5	3.1750	25.5	2.5X1	9800	24900	330	54	58	P	5	L	5	12	82	D	-	-	-	M6	67	6.6	11	6.5	
GR2805ET-CAPR	28	5	3.1750	25.5	2.5X2	17900	49800	610	54	88	P	5	L	5	12	82	C	-	-	-	M6	67	6.6	11	6.5	
GR2805ET-DAPR	28	5	3.1750	25.5	2.5X2	17900	49800	610	54	88	P	5	L	5	12	82	D	-	-	-	M6	67	6.6	11	6.5	
GR2810DT-CAPR	28	10	4.7625	24.0	2.5X1	17000	37600	340	56	95	P	5	L	5	15	84	C	-	-	-	M6	69	6.6	11	6.5	
GR2810DT-DAPR	28	10	4.7625	24.0	2.5X1	17000	37600	340	56	95	P	5	L	5	15	84	D	-	-	-	M6	69	6.6	11	6.5	

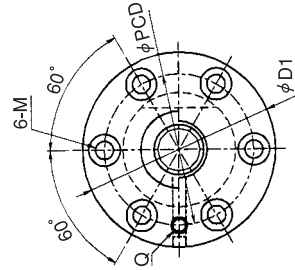
Wiper material P:Plastics wiper L:Lip seal

Refer to page 24 for NOTATION OF MODEL NUMBER.

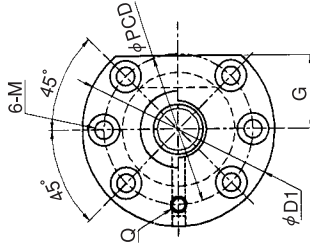
**Tube Method Integral Nut**

**Screw shaft diameter Ø32**

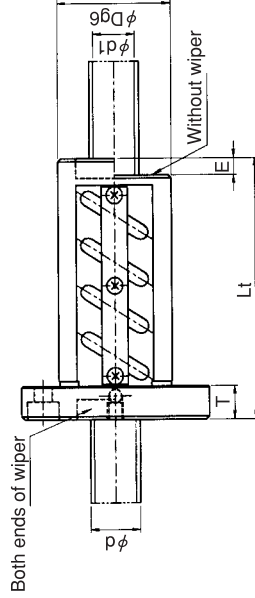
(Unit:mm)



Flange type C



Flange type D



Model No.	Screw shaft diameter d	Lead L	Ball diameter D <sub>b</sub>	Root diameter d <sub>r</sub>	Number of circuits Turn/Circuit	Basic dynamic load rating C (N)	Basic static load rating C <sub>0</sub> (N)	Rigidity K <sub>rw</sub> (N/μm)	Nut dimensions												
									Outer diameter		Overall length Lt	Wiper E	Without wiper	Flange dimensions			Mounting hole				
									D	φD1				Thickness	Outer diameter	Type	G	Q	PCD	Drill	Spot facing
GR3205DT-CALR	32	5	3.1750	29.5	2.5X1	10500	28600	370	58	58	L	5	12	85	C	-	M6	71	6.6	11	6.5
GR3205DT-DALR	32	5	3.1750	29.5	2.5X1	10500	28600	370	58	58	L	5	12	85	D	32	M6	71	6.6	11	6.5
GR3205ET-CALR	32	5	3.1750	29.5	2.5X2	19000	57200	690	58	88	L	5	12	85	C	-	M6	71	6.6	11	6.5
GR3205ET-DALR	32	5	3.1750	29.5	2.5X2	19000	57200	690	58	88	L	5	12	85	D	32	M6	71	6.6	11	6.5
GR3206DT-CALR	32	6	3.9688	28.6	2.5X1	14400	35500	380	62	67	L	5	12	89	C	-	M6	75	6.6	11	6.5
GR3206DT-DALR	32	6	3.9688	28.6	2.5X1	14400	35500	380	62	67	L	5	12	89	D	34	M6	75	6.6	11	6.5
GR3206ET-CALR	32	6	3.9688	28.6	2.5X2	26000	71000	710	62	103	L	5	12	89	C	-	M6	75	6.6	11	6.5
GR3206ET-DALR	32	6	3.9688	28.6	2.5X2	26000	71000	710	62	103	L	5	12	89	D	34	M6	75	6.6	11	6.5
GR3208DT-CALR	32	8	4.7625	28.0	2.5X1	17800	41700	380	66	81	L	6	15	100	C	-	M6	82	9	14	8.6
GR3208DT-DALR	32	8	4.7625	28.0	2.5X1	17800	41700	380	66	81	L	6	15	100	D	38	M6	82	9	14	8.6
GR3208BT-CALR	32	8	4.7625	28.0	1.5X2	20900	50000	440	66	105	L	6	15	100	C	-	M6	82	9	14	8.6
GR3208BT-DALR	32	8	4.7625	28.0	1.5X2	20900	50000	440	66	105	L	6	15	100	D	38	M6	82	9	14	8.6
GR3210AT-CALR	32	10	6.3500	27.2	1.5X1	16600	33400	230	74	88	L	8	15	108	C	-	M6	90	9	14	8.6
GR3210AT-DALR	32	10	6.3500	27.2	1.5X1	16600	33400	230	74	88	L	8	15	108	D	41	M6	90	9	14	8.6
GR3210DT-CALR	32	10	6.3500	27.2	2.5X1	25800	55600	380	74	98	L	8	15	108	C	-	M6	90	9	14	8.6
GR3210DT-DALR	32	10	6.3500	27.2	2.5X1	25800	55600	380	74	98	L	8	15	108	D	41	M6	90	9	14	8.6

Wiper material L:Lip seal

Refer to page 24 for NOTATION OF MODEL NUMBER.