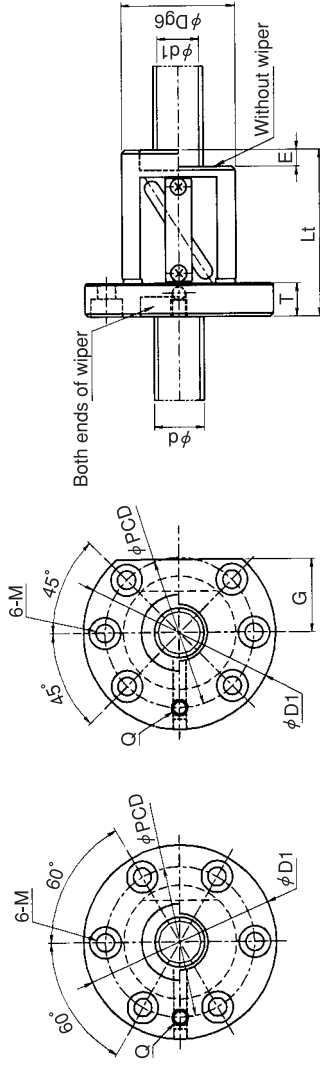


Tube Method Single Nut

Screw shaft diameter Ø70

(Unit:mm)



Flange type C

Flange type D

Model No.	Screw shaft diameter d	Lead L	Ball diameter D _b	Root diameter d _i	Number of circuits Turn/Circuit	Basic dynamic load rating C (N)	Basic static load rating C ₀ (N)	Rigidity K _{NS} (N/μm)	Nut dimensions												
									Outer diameter		Wiper	Without wiper	Flange dimensions			Mounting hole					
									D	Lt			Thickness	Outer diameter	Type	G	Oil hole	PCD	Drill	Spot facing	Depth
GR7010ES-CAPR	70	10	6.3500	65.2	2.5X2	69100	252100	820	120	103	P	7	22	166	C	-	Rc1/8	142	14	20	13
GR7010ES-DAPR	70	10	6.3500	65.2	2.5X2	69100	252100	820	120	103	P	7	22	166	D	63	Rc1/8	142	14	20	13
GR7010FS-CAPR	70	10	6.3500	65.2	2.5X3	97900	378200	1190	120	133	P	7	22	166	C	-	Rc1/8	142	14	20	13
GR7010FS-DAPR	70	10	6.3500	65.2	2.5X3	97900	378200	1190	120	133	P	7	22	166	D	63	Rc1/8	142	14	20	13
GR7012ES-CAPR	70	12	7.9375	63.8	2.5X2	93400	312700	840	124	119	P	7	22	170	C	-	Rc1/8	146	14	20	13
GR7012ES-DAPR	70	12	7.9375	63.8	2.5X2	93400	312700	840	124	119	P	7	22	170	D	64	Rc1/8	146	14	20	13
GR7012FS-CAPR	70	12	7.9375	63.8	2.5X3	132400	469100	1200	124	155	P	7	22	170	C	-	Rc1/8	146	14	20	13
GR7012FS-DAPR	70	12	7.9375	63.8	2.5X3	132400	469100	1200	124	155	P	7	22	170	D	64	Rc1/8	146	14	20	13
GR7016ES-CAPR	70	16	9.5250	62.6	2.5X2	152100	508000	920	130	163	P	13	28	190	C	-	Rc1/8	158	18	26	17.5
GR7016ES-DAPR	70	16	9.5250	62.6	2.5X2	152100	508000	920	130	163	P	13	28	190	D	72	Rc1/8	158	18	26	17.5
GR7016FS-CAPR	70	16	9.5250	62.6	2.5X3	215600	762000	1410	130	211	P	13	28	190	C	-	Rc1/8	158	18	26	17.5
GR7016FS-DAPR	70	16	9.5250	62.6	2.5X3	215600	762000	1410	130	211	P	13	28	190	D	72	Rc1/8	158	18	26	17.5
GR7020ES-CAPR	70	20	9.5250	62.6	2.5X2	152100	508000	920	130	175	P	13	28	190	C	-	Rc1/8	158	18	26	17.5
GR7020ES-DAPR	70	20	9.5250	62.6	2.5X2	152100	508000	920	130	175	P	13	28	190	D	72	Rc1/8	158	18	26	17.5
GR7020FS-CAPR	70	20	9.5250	62.6	2.5X3	215600	762000	1410	130	235	P	13	28	190	C	-	Rc1/8	158	18	26	17.5
GR7020FS-DAPR	70	20	9.5250	62.6	2.5X3	215600	762000	1410	130	235	P	13	28	190	D	72	Rc1/8	158	18	26	17.5

Wiper material P:Plastics wiper

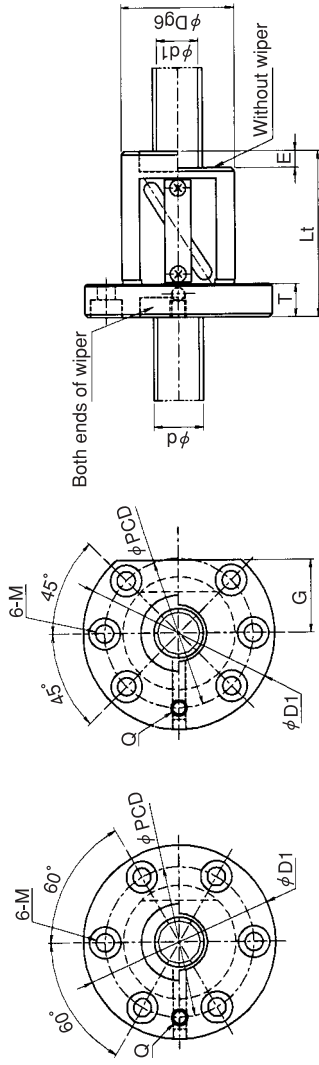
Refer to page 24 for NOTATION OF MODEL NUMBER.

KURODA Customized Ground Ball Screw:GR Series(Accuracy grade C0-C10)

Tube Method Single Nut

Screw shaft diameter Ø80

(Unit:mm)



Flange type C

Flange type D

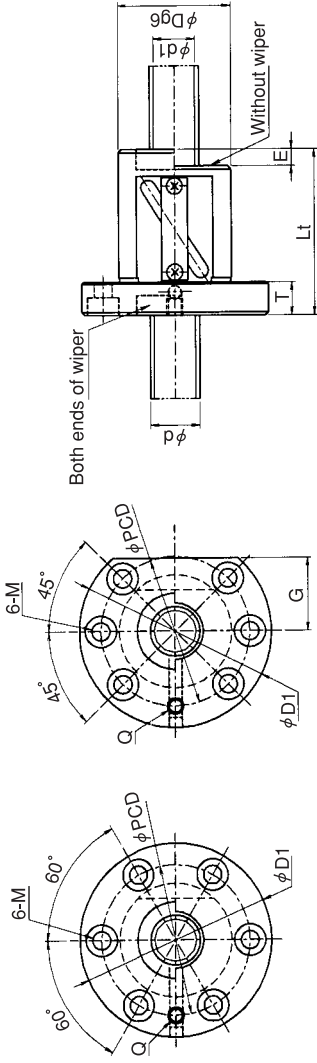
Model No.	Screw shaft diameter d	Lead L	Ball diameter Db	Root diameter d1	Number of circuits Turn/Circuit	Basic dynamic load rating C (N)	Basic static load rating Co (N)	Rigidity Kns (N/um)	Nut dimensions				Mounting hole								
									Outer diameter		Flange dimensions		Oil hole		M						
									D	Lt	Wiper	Without wiper	Thickness	Outer diameter	Type	G	Q	Drill	Spot facing	Depth	
GR8010ES-CAPR	80	10	6.3500	75.2	2.5X2	73100	289100	910	130	103	P	7	22	176	C	-	Rc1/8	152	14	20	13
GR8010ES-DAPR	80	10	6.3500	75.2	2.5X2	73100	289100	910	130	103	P	7	22	176	D	66	Rc1/8	152	14	20	13
GR8010FS-CAPR	80	10	6.3500	75.2	2.5X3	103700	433700	1320	130	133	P	7	22	176	C	-	Rc1/8	152	14	20	13
GR8010FS-DAPR	80	10	6.3500	75.2	2.5X3	103700	433700	1320	130	133	P	7	22	176	D	66	Rc1/8	152	14	20	13
GR8012ES-CAPR	80	12	7.9375	73.8	2.5X2	99400	359100	940	136	119	P	7	22	182	C	-	Rc1/8	158	14	20	13
GR8012ES-DAPR	80	12	7.9375	73.8	2.5X2	99400	359100	940	136	119	P	7	22	182	D	68	Rc1/8	158	14	20	13
GR8012FS-CAPR	80	12	7.9375	73.8	2.5X3	140700	538700	1350	136	155	P	7	22	182	C	-	Rc1/8	158	14	20	13
GR8012FS-DAPR	80	12	7.9375	73.8	2.5X3	140700	538700	1350	136	155	P	7	22	182	D	68	Rc1/8	158	14	20	13
GR8016ES-CAPR	80	16	9.5250	72.6	2.5X2	165200	600500	1050	143	161	P	12	28	204	C	-	Rc1/8	172	18	26	17.5
GR8016ES-DAPR	80	16	9.5250	72.6	2.5X2	165200	600500	1050	143	161	P	12	28	204	D	77	Rc1/8	172	18	26	17.5
GR8016FS-CAPR	80	16	9.5250	72.6	2.5X3	234100	900800	1520	143	209	P	12	28	204	C	-	Rc1/8	172	18	26	17.5
GR8016FS-DAPR	80	16	9.5250	72.6	2.5X3	234100	900800	1520	143	209	P	12	28	204	D	77	Rc1/8	172	18	26	17.5
GR8020ES-CAPR	80	20	9.5250	72.6	2.5X2	165200	600500	1050	143	173	P	12	28	204	C	-	Rc1/8	172	18	26	17.5
GR8020ES-DAPR	80	20	9.5250	72.6	2.5X2	165200	600500	1050	143	173	P	12	28	204	D	77	Rc1/8	172	18	26	17.5
GR8020FS-CAPR	80	20	9.5250	72.6	2.5X3	234100	900800	1620	143	233	P	12	28	204	C	-	Rc1/8	172	18	26	17.5
GR8020FS-DAPR	80	20	9.5250	72.6	2.5X3	234100	900800	1620	143	233	P	12	28	204	D	77	Rc1/8	172	18	26	17.5

Wiper material P:Plastics wiper

Tube Method Single Nut

Screw shaft diameter Ø100,Ø125

(Unit:mm)



Flange type C

Flange type D

Model No.	Screw shaft diameter d	Lead L	Ball diameter Db	Root diameter dt	Number of circuits Turn/Circuit	Basic static load rating		Rigidity Kns (N/μm)	Nut dimensions				Mounting hole					
						C (N)	Co (N)		Flange dimensions		Oil hole		Drill	M				
									Thickness	Type	G	Q			Spot facing	Depth		
GRA012ES-CAPR	100	12	7.9375	93.8	2.5X2	109450	451800	1130	6	28	220	C	-	Rc1/8	188	18	26	17.5
GRA012ES-DAPR	100	12	7.9375	93.8	2.5X2	109450	451800	1130	6	28	220	D	82	Rc1/8	188	18	26	17.5
GRA012FS-CAPR	100	12	7.9375	93.8	2.5X3	155000	677700	1630	6	28	220	C	-	Rc1/8	188	18	26	17.5
GRA012FS-DAPR	100	12	7.9375	93.8	2.5X3	155000	677700	1630	6	28	220	D	82	Rc1/8	188	18	26	17.5
GRA016ES-CAPR	100	16	9.5250	92.6	2.5X2	180000	739000	1250	12	32	243	C	-	Rc1/8	205	22	32	21.5
GRA016ES-DAPR	100	16	9.5250	92.6	2.5X2	180000	739000	1250	12	32	243	D	91	Rc1/8	205	22	32	21.5
GRA016FS-CAPR	100	16	9.5250	92.6	2.5X3	255000	1108500	1800	12	32	243	C	-	Rc1/8	205	22	32	21.5
GRA016FS-DAPR	100	16	9.5250	92.6	2.5X3	255000	1108500	1800	12	32	243	D	91	Rc1/8	205	22	32	21.5
GRA020ES-CAPR	100	20	9.5250	92.6	2.5X2	180000	739000	1250	12	32	243	C	-	Rc1/8	205	22	32	21.5
GRA020ES-DAPR	100	20	9.5250	92.6	2.5X2	180000	739000	1250	12	32	243	D	91	Rc1/8	205	22	32	21.5
GRA020FS-CAPR	100	20	9.5250	92.6	2.5X3	255000	1108500	1910	12	32	243	C	-	Rc1/8	205	22	32	21.5
GRA020FS-DAPR	100	20	9.5250	92.6	2.5X3	255000	1108500	1910	12	32	243	D	91	Rc1/8	205	22	32	21.5
GRC516ES-CAPR	125	16	9.5250	117.6	2.5X2	200400	946900	1520	12	36	290	C	-	Rc1/8	243	26	39	25.5
GRC516ES-DAPR	125	16	9.5250	117.6	2.5X2	200400	946900	1520	12	36	290	D	109	Rc1/8	243	26	39	25.5
GRC516FS-CAPR	125	16	9.5250	117.6	2.5X3	284100	1420400	2190	12	36	290	C	-	Rc1/8	243	26	39	25.5
GRC516FS-DAPR	125	16	9.5250	117.6	2.5X3	284100	1420400	2190	12	36	290	D	109	Rc1/8	243	26	39	25.5
GRC520ES-CAPR	125	20	9.5250	117.6	2.5X2	200400	946900	1520	12	36	290	C	-	Rc1/8	243	26	39	25.5
GRC520ES-DAPR	125	20	9.5250	117.6	2.5X2	200400	946900	1520	12	36	290	D	109	Rc1/8	243	26	39	25.5
GRC520FS-CAPR	125	20	9.5250	117.6	2.5X3	284100	1420400	2190	12	36	290	C	-	Rc1/8	243	26	39	25.5
GRC520FS-DAPR	125	20	9.5250	117.6	2.5X3	284100	1420400	2190	12	36	290	D	109	Rc1/8	243	26	39	25.5

Wiper material P:Plastics wiper

Refer to page 24 for NOTATION OF MODEL NUMBER.