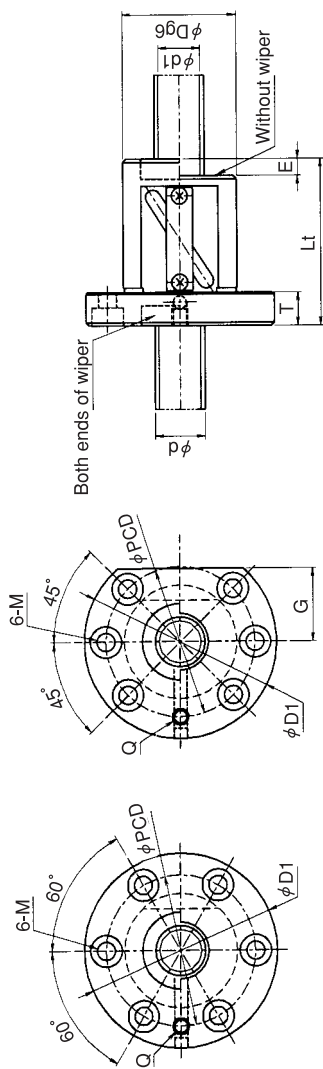


KURODA Customized Ground Ball Screw:GR Series(Accuracy grade C0-C10)

Tube Method Single Nut

Screw shaft diameter Ø45

(Unit:mm)



Flange type C

Flange type D

Model No.	Screw shaft diameter d	Lead L	Ball diameter Db	Root diameter d1	Number of circuits Turn/Circuit	Basic dynamic load rating C (N)	Basic static load rating Co (N)	Rigidity Kns (N/um)	Nut dimensions				Mounting hole								
									Outer diameter D	Overall length Lt	Wiper Without wiper E	Flange dimensions		Oil hole		PCD	M				
												Thickness T	Outer diameter D1	Type	G		Q	Drill	Spot facing	Depth	
GR4505BS-CAPR	45	5	3.1750	42.5	1.5X2	14100	48600	330	74	56	P	5	15	108	C	-	Rc1/8	90	9	14	8.6
GR4505BS-DAPR	45	5	3.1750	42.5	1.5X2	14100	48600	330	74	56	P	5	15	108	D	41	Rc1/8	90	9	14	8.6
GR4505CS-CAPR	45	5	3.1750	42.5	1.5X3	20100	72900	480	74	66	P	5	15	108	C	-	Rc1/8	90	9	14	8.6
GR4505CS-DAPR	45	5	3.1750	42.5	1.5X3	20100	72900	480	74	66	P	5	15	108	D	41	Rc1/8	90	9	14	8.6
GR4506BS-CAPR	45	6	3.9688	41.6	1.5X2	19300	59700	340	78	64	P	5	15	112	C	-	Rc1/8	94	9	14	8.6
GR4506BS-DAPR	45	6	3.9688	41.6	1.5X2	19300	59700	340	78	64	P	5	15	112	D	43	Rc1/8	94	9	14	8.6
GR4506ES-CAPR	45	6	3.9688	41.6	2.5X2	30000	99500	550	78	70	P	5	15	112	C	-	Rc1/8	94	9	14	8.6
GR4506ES-DAPR	45	6	3.9688	41.6	2.5X2	30000	99500	550	78	70	P	5	15	112	D	43	Rc1/8	94	9	14	8.6
GR4506FS-CAPR	45	6	3.9688	41.6	2.5X3	42500	149300	780	78	88	P	5	15	112	C	-	Rc1/8	94	9	14	8.6
GR4506FS-DAPR	45	6	3.9688	41.6	2.5X3	42500	149300	780	78	88	P	5	15	112	D	43	Rc1/8	94	9	14	8.6
GR4508BS-CAPR	45	8	4.7625	41.0	1.5X2	24000	72600	350	82	76	P	6	18	124	C	-	Rc1/8	102	11	17.5	10.8
GR4508BS-DAPR	45	8	4.7625	41.0	1.5X2	24000	72600	350	82	76	P	6	18	124	D	47	Rc1/8	102	11	17.5	10.8
GR4508ES-CAPR	45	8	4.7625	41.0	2.5X2	37300	121000	560	82	84	P	6	18	124	C	-	Rc1/8	102	11	17.5	10.8
GR4508ES-DAPR	45	8	4.7625	41.0	2.5X2	37300	121000	560	82	84	P	6	18	124	D	47	Rc1/8	102	11	17.5	10.8
GR4508FS-CAPR	45	8	4.7625	41.0	2.5X3	52700	181500	790	82	108	P	6	18	124	C	-	Rc1/8	102	11	17.5	10.8
GR4508FS-DAPR	45	8	4.7625	41.0	2.5X3	52700	181500	790	82	108	P	6	18	124	D	47	Rc1/8	102	11	17.5	10.8

Wiper material P:Plastics wiper

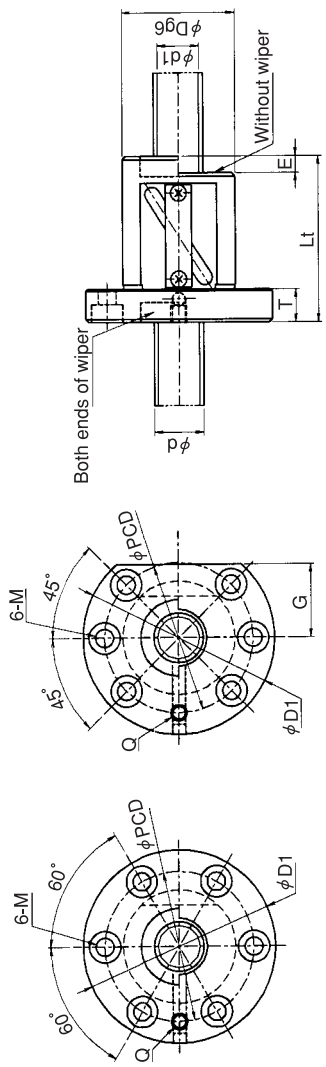
Refer to page 24 for NOTATION OF MODEL NUMBER.

KURODA Customized Ground Ball Screw:GR Series(Accuracy grade C0-C10)

Tube Method Single Nut

Screw shaft diameter Ø50

(Unit:mm)



Flange type C

Flange type D

Model No.	Screw shaft diameter d	Lead L	Ball diameter Db	Root diameter dt	Number of circuits Turn/Circuit	Basic static load rating		Rigidity Kns (N/um)	Nut dimensions			Mounting hole								
						C (N)	Co (N)		Type	Flange dimensions		Oil hole Q	M							
										Thickness T	Outer diameter D1		Drill	Spot facing	Depth					
GR5005BS-CAPR	50	5	3.1750	47.5	1.5X2	14800	54200	370	56	P	5	15	114	C	-	Rc1/8	96	9	14	8.6
GR5005BS-DAPR	50	5	3.1750	47.5	1.5X2	14800	54200	370	56	P	5	15	114	D	43	Rc1/8	96	9	14	8.6
GR5005CS-CAPR	50	5	3.1750	47.5	1.5X3	21000	81300	530	66	P	5	15	114	C	-	Rc1/8	96	9	14	8.6
GR5005CS-DAPR	50	5	3.1750	47.5	1.5X3	21000	81300	530	66	P	5	15	114	D	43	Rc1/8	96	9	14	8.6
GR5006BS-CAPR	50	6	3.9688	46.6	1.5X2	20100	66500	380	64	P	5	15	118	C	-	Rc1/8	100	9	14	8.6
GR5006BS-DAPR	50	6	3.9688	46.6	1.5X2	20100	66500	380	64	P	5	15	118	D	45	Rc1/8	100	9	14	8.6
GR5006ES-CAPR	50	6	3.9688	46.6	2.5X2	31300	110800	590	84	70	P	5	118	C	-	Rc1/8	100	9	14	8.6
GR5006ES-DAPR	50	6	3.9688	46.6	2.5X2	31300	110800	590	84	70	P	5	118	D	45	Rc1/8	100	9	14	8.6
GR5006FS-CAPR	50	6	3.9688	46.6	2.5X3	44300	166200	860	84	88	P	5	118	C	-	Rc1/8	100	9	14	8.6
GR5006FS-DAPR	50	6	3.9688	46.6	2.5X3	44300	166200	860	84	88	P	5	118	D	45	Rc1/8	100	9	14	8.6
GR5008BS-CAPR	50	8	4.7625	46.0	1.5X2	24900	80100	380	87	76	P	6	129	C	-	Rc1/8	107	11	17.5	10.8
GR5008BS-DAPR	50	8	4.7625	46.0	1.5X2	24900	80100	380	87	76	P	6	129	D	49	Rc1/8	107	11	17.5	10.8
GR5008ES-CAPR	50	8	4.7625	46.0	2.5X2	38700	133400	590	87	84	P	6	129	C	-	Rc1/8	107	11	17.5	10.8
GR5008ES-DAPR	50	8	4.7625	46.0	2.5X2	38700	133400	590	87	84	P	6	129	D	49	Rc1/8	107	11	17.5	10.8
GR5008FS-CAPR	50	8	4.7625	46.0	2.5X3	55000	200100	860	87	108	P	6	129	C	-	Rc1/8	107	11	17.5	10.8
GR5008FS-DAPR	50	8	4.7625	46.0	2.5X3	55000	200100	860	87	108	P	6	129	D	49	Rc1/8	107	11	17.5	10.8
GR5010BS-CALR	50	10	6.3500	45.2	1.5X2	38300	106700	390	93	91	L	8	135	C	-	Rc1/8	113	11	17.5	10.8
GR5010BS-DALR	50	10	6.3500	45.2	1.5X2	38300	106700	390	93	91	L	8	135	D	51	Rc1/8	113	11	17.5	10.8
GR5010DS-CALR	50	10	6.3500	45.2	2.5X1	32800	88900	330	93	71	L	8	135	C	-	Rc1/8	113	11	17.5	10.8
GR5010DS-DALR	50	10	6.3500	45.2	2.5X1	32800	88900	330	93	71	L	8	135	D	51	Rc1/8	113	11	17.5	10.8
GR5010ES-CALR	50	10	6.3500	45.2	2.5X2	59400	177800	620	93	101	L	8	135	C	-	Rc1/8	113	11	17.5	10.8
GR5010ES-DALR	50	10	6.3500	45.2	2.5X2	59400	177800	620	93	101	L	8	135	D	51	Rc1/8	113	11	17.5	10.8
GR5010FS-CALR	50	10	6.3500	45.2	2.5X3	84100	266700	890	93	131	L	8	135	C	-	Rc1/8	113	11	17.5	10.8
GR5010FS-DALR	50	10	6.3500	45.2	2.5X3	84100	266700	890	93	131	L	8	135	D	51	Rc1/8	113	11	17.5	10.8

Wiper material P:Plastics wiper L:Lip seal

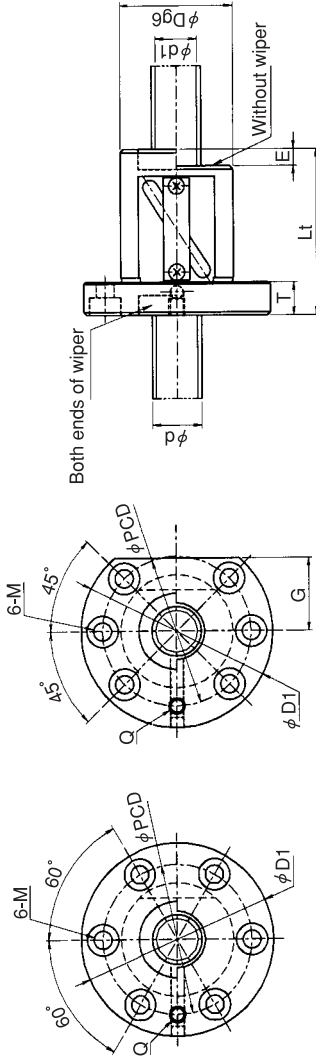
Refer to page 24 for NOTATION OF MODEL NUMBER.

KURODA Customized Ground Ball Screw:GR Series(Accuracy grade C0-C10)

Tube Method Single Nut

Screw shaft diameter Ø55

(Unit:mm)



Flange type C

Flange type D

Model No.	Screw shaft diameter d	Lead L	Ball diameter Db	Root diameter dr	Number of circuits Turn/Circuit	Basic load rating		Rigidity Kns (N/um)	Nut dimensions				Mounting hole								
						C (N)	Co (N)		Outer diameter D	Overall length Lt	Wiper	Without wiper E	Thickness T	Outer diameter Di	Type	G	Oil hole Q	PCD	Drill	Spot facing	Depth
GR5508ES-CAPR	55	8	4.7625	51.0	2.5X2	40100	145900	640	92	86	P	5	22	138	C	-	Rc1/8	114	14	20	13
GR5508ES-DAPR	55	8	4.7625	51.0	2.5X2	40100	145900	640	92	86	P	5	22	138	D	53	Rc1/8	114	14	20	13
GR5508FS-CAPR	55	8	4.7625	51.0	2.5X3	56900	218900	920	92	110	P	5	22	138	C	-	Rc1/8	114	14	20	13
GR5508FS-DAPR	55	8	4.7625	51.0	2.5X3	56900	218900	920	92	110	P	5	22	138	D	53	Rc1/8	114	14	20	13
GR5510BS-CALR	55	10	6.3500	50.2	1.5X2	40400	120100	450	100	95	L	8	22	146	C	-	Rc1/8	122	14	20	13
GR5510BS-DALR	55	10	6.3500	50.2	1.5X2	40400	120100	450	100	95	L	8	22	146	D	55	Rc1/8	122	14	20	13
GR5510ES-CALR	55	10	6.3500	50.2	2.5X2	62700	200200	680	100	105	L	8	22	146	C	-	Rc1/8	122	14	20	13
GR5510ES-DALR	55	10	6.3500	50.2	2.5X2	62700	200200	680	100	105	L	8	22	146	D	55	Rc1/8	122	14	20	13
GR5510FS-CALR	55	10	6.3500	50.2	2.5X3	89000	300300	980	100	135	L	8	22	146	C	-	Rc1/8	122	14	20	13
GR5510FS-DALR	55	10	6.3500	50.2	2.5X3	89000	300300	980	100	135	L	8	22	146	D	55	Rc1/8	122	14	20	13
GR5512ES-CAPR	55	12	7.9375	48.8	2.5X2	81200	243300	690	108	119	P	7	22	154	C	-	Rc1/8	130	14	20	13
GR5512ES-DAPR	55	12	7.9375	48.8	2.5X2	81200	243300	690	108	119	P	7	22	154	D	58	Rc1/8	130	14	20	13
GR5512FS-CAPR	55	12	7.9375	48.8	2.5X3	115100	365000	980	108	155	P	7	22	154	C	-	Rc1/8	130	14	20	13
GR5512FS-DAPR	55	12	7.9375	48.8	2.5X3	115100	365000	980	108	155	P	7	22	154	D	58	Rc1/8	130	14	20	13
GR5516DS-CAPR	55	16	9.5250	47.6	2.5X1	76700	207800	400	112	115	P	13	28	172	C	-	Rc1/8	140	18	26	17.5
GR5516DS-DAPR	55	16	9.5250	47.6	2.5X1	76700	207800	400	112	115	P	13	28	172	D	66	Rc1/8	140	18	26	17.5
GR5516ES-CAPR	55	16	9.5250	47.6	2.5X2	139100	415600	750	112	163	P	13	28	172	C	-	Rc1/8	140	18	26	17.5
GR5516ES-DAPR	55	16	9.5250	47.6	2.5X2	139100	415600	750	112	163	P	13	28	172	D	66	Rc1/8	140	18	26	17.5
GR5520DS-CALR	55	20	9.5250	47.6	2.5X1	76700	207800	420	112	115	L	12.5	28	172	C	-	Rc1/8	140	18	26	17.5
GR5520DS-DALR	55	20	9.5250	47.6	2.5X1	76700	207800	420	112	115	L	12.5	28	172	D	66	Rc1/8	140	18	26	17.5
GR5520ES-CALR	55	20	9.5250	47.6	2.5X2	139100	415600	780	112	175	L	12.5	28	172	C	-	Rc1/8	140	18	26	17.5
GR5520ES-DALR	55	20	9.5250	47.6	2.5X2	139100	415600	780	112	175	L	12.5	28	172	D	66	Rc1/8	140	18	26	17.5

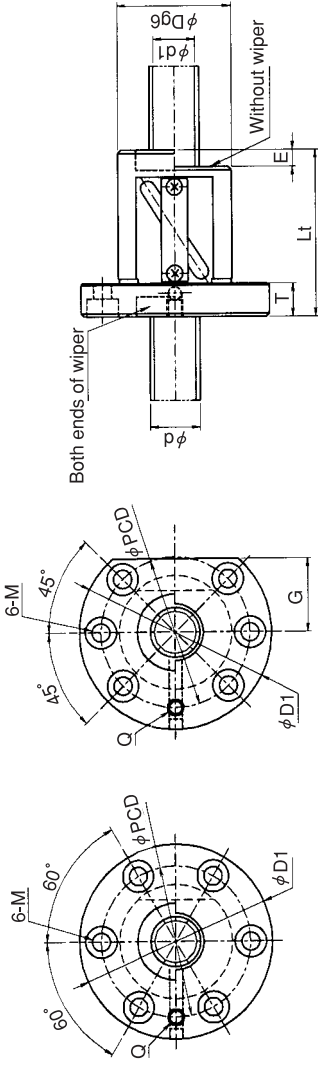
Wiper material P:Plastics wiper L:Lip seal

Refer to page 24 for NOTATION OF MODEL NUMBER.

Tube Method Single Nut

Screw shaft diameter Ø63

(Unit:mm)



Flange type C

Flange type D

Model No.	Screw shaft diameter d	Lead L	Ball diameter db	Root diameter d1	Number of circuits Turn/Circuit	Basic dynamic load rating C (N)	Basic static load rating Co (N)	Rigidity Kns (N/um)	Nut dimensions				Mounting hole							
									Outer diameter D	Overall length Lt	Wiper P	Without wiper E	Flange dimensions		Oil hole Q	M				
													Thickness	Outer diameter		Type	Drill	Spot facing	Depth	
GR6306BS-CAPR	63	6	3.9688	59.6	1.5X2	22100	83500	450	100	65	P	4	18	142	C	-	Rc1/8	11	17.5	10.8
GR6306BS-DAPR	63	6	3.9688	59.6	1.5X2	22100	83500	450	100	65	P	4	18	142	D	53	Rc1/8	11	17.5	10.8
GR6306CS-CAPR	63	6	3.9688	59.6	1.5X3	31300	125300	650	100	77	P	4	18	142	C	-	Rc1/8	11	17.5	10.8
GR6306CS-DAPR	63	6	3.9688	59.6	1.5X3	31300	125300	650	100	77	P	4	18	142	D	53	Rc1/8	11	17.5	10.8
GR6308BS-CAPR	63	8	4.7625	59.0	1.5X2	27800	102500	460	104	78	P	5	22	150	C	-	Rc1/8	14	20	13
GR6308BS-DAPR	63	8	4.7625	59.0	1.5X2	27800	102500	460	104	78	P	5	22	150	D	57	Rc1/8	14	20	13
GR6308CS-CAPR	63	8	4.7625	59.0	1.5X3	39300	153800	660	104	94	P	5	22	150	C	-	Rc1/8	14	20	13
GR6308CS-DAPR	63	8	4.7625	59.0	1.5X3	39300	153800	660	104	94	P	5	22	150	D	57	Rc1/8	14	20	13

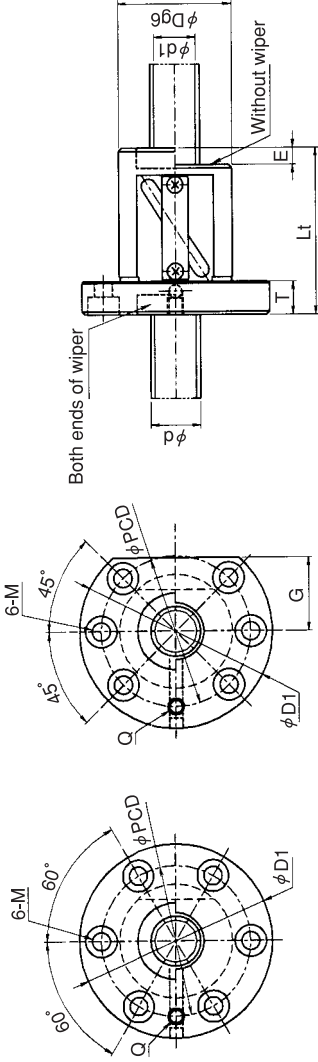
Wiper material P:Plastics wiper

KURODA Customized Ground Ball Screw:GR Series(Accuracy grade C0-C10)

Tube Method Single Nut

Screw shaft diameter Ø63

(Unit:mm)



Flange type C

Flange type D

Model No.	Screw shaft diameter d	Lead L	Ball diameter D _b	Root diameter d _r	Number of circuits Turn/Circuit	Basic dynamic load rating C (N)	Basic static load rating C ₀ (N)	Rigidity K _{ns} (N/μm)	Nut dimensions				Mounting hole								
									Outer diameter D	Overall length Lt	Wiper Without wiper E	Flange dimensions		Oil hole Q	M						
												Thickness T	Outer diameter D ₁		Type	PCD	Drill	Spot facing	Depth		
GR6310DS-CAPR	63	10	6.3500	58.2	2.5X1	36800	114900	400	108	75	P	8	22	154	C	-	Rc1/8	130	14	20	13
GR6310DS-DAPR	63	10	6.3500	58.2	2.5X1	36800	114900	400	108	75	P	8	22	154	D	58	Rc1/8	130	14	20	13
GR6310ES-CAPR	63	10	6.3500	58.2	2.5X2	66600	229800	760	108	105	P	8	22	154	C	-	Rc1/8	130	14	20	13
GR6310ES-DAPR	63	10	6.3500	58.2	2.5X2	66600	229800	760	108	105	P	8	22	154	D	58	Rc1/8	130	14	20	13
GR6310FS-CAPR	63	10	6.3500	58.2	2.5X3	94400	344700	1100	108	135	P	8	22	154	C	-	Rc1/8	130	14	20	13
GR6310FS-DAPR	63	10	6.3500	58.2	2.5X3	94400	344700	1100	108	135	P	8	22	154	D	58	Rc1/8	130	14	20	13
GR6312DS-CAPR	63	12	7.9375	56.8	2.5X1	48700	139000	400	115	83	P	7	22	161	C	-	Rc1/8	137	14	20	13
GR6312DS-DAPR	63	12	7.9375	56.8	2.5X1	48700	139000	400	115	83	P	7	22	161	D	61	Rc1/8	137	14	20	13
GR6312ES-CAPR	63	12	7.9375	56.8	2.5X2	88500	278000	760	115	119	P	7	22	161	C	-	Rc1/8	137	14	20	13
GR6312ES-DAPR	63	12	7.9375	56.8	2.5X2	88500	278000	760	115	119	P	7	22	161	D	61	Rc1/8	137	14	20	13
GR6312FS-CAPR	63	12	7.9375	56.8	2.5X3	125500	417000	1100	115	155	P	7	22	161	C	-	Rc1/8	137	14	20	13
GR6312FS-DAPR	63	12	7.9375	56.8	2.5X3	125500	417000	1100	115	155	P	7	22	161	D	61	Rc1/8	137	14	20	13
GR6316DS-CAPR	63	16	9.5250	55.6	2.5X1	80300	231000	450	122	115	P	13	28	180	C	-	Rc1/8	150	18	26	17.5
GR6316DS-DAPR	63	16	9.5250	55.6	2.5X1	80300	231000	450	122	115	P	13	28	180	D	69	Rc1/8	150	18	26	17.5
GR6316ES-CAPR	63	16	9.5250	55.6	2.5X2	145800	462000	850	122	163	P	13	28	180	C	-	Rc1/8	150	18	26	17.5
GR6316ES-DAPR	63	16	9.5250	55.6	2.5X2	145800	462000	850	122	163	P	13	28	180	D	69	Rc1/8	150	18	26	17.5
GR6320DS-CAPR	63	20	9.5250	55.6	2.5X1	80300	231000	460	122	115	P	13	28	180	C	-	Rc1/8	150	18	26	17.5
GR6320DS-DAPR	63	20	9.5250	55.6	2.5X1	80300	231000	460	122	115	P	13	28	180	D	69	Rc1/8	150	18	26	17.5
GR6320ES-CAPR	63	20	9.5250	55.6	2.5X2	145800	462000	860	122	175	P	13	28	180	C	-	Rc1/8	150	18	26	17.5
GR6320ES-DAPR	63	20	9.5250	55.6	2.5X2	145800	462000	860	122	175	P	13	28	180	D	69	Rc1/8	150	18	26	17.5

Wiper material P:Plastics wiper

Refer to page 24 for NOTATION OF MODEL NUMBER.