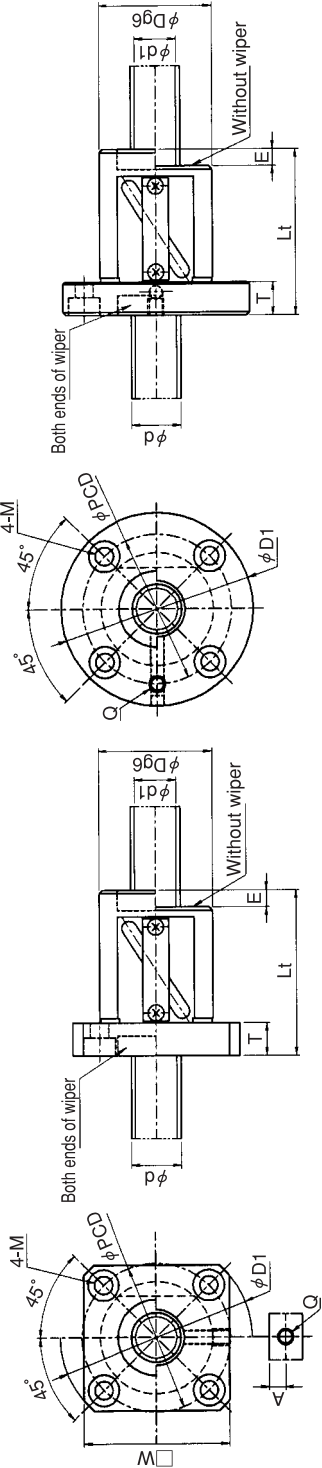


**KURODA** Customized Ground Ball Screw:GR Series(Accuracy grade C0-C10)

**Tube Method Single Nut**

**Screw shaft diameter Ø25**

(Unit:mm)



Flange type A

Flange type C1

Model No.	Screw shaft diameter d	Lead L	Ball diameter D <sub>b</sub>	Root diameter d <sub>t</sub>	Number of circuits Turn/Circuit	Basic dynamic load rating C (N)	Basic static load rating C <sub>0</sub> (N)	Rigidity K <sub>ns</sub> (N/μm)	Nut dimensions			Mounting hole										
									Outer diameter D	Overall length L <sub>t</sub>	Wiper Without wiper	Flange dimensions		Oil hole		Mounting hole						
												Thickness T	Outer diameter D <sub>1</sub>	Type	W	A	Q	PCD	Drill	Spot facing	Depth	
GR2504DS-AAPR	25	4	2.3812	23.1	2.5X1	5200	14400	160	46	43	P	3	12	74	A	56	7.5	M6	59	6.6	11	6.5
GR2504DS-CAPR	25	4	2.3812	23.1	2.5X1	5200	14400	160	46	43	P	3	12	74	C1	-	-	M6	59	6.6	11	6.5
GR2504ES-AAPR	25	4	2.3812	23.1	2.5X2	9400	28800	300	46	55	P	3	12	74	A	56	7	M6	59	6.6	11	6.5
GR2504ES-CAPR	25	4	2.3812	23.1	2.5X2	9400	28800	300	46	55	P	3	12	74	C1	-	-	M6	59	6.6	11	6.5
GR2505BS-AALR	25	5	3.1750	22.5	1.5X2	11000	26600	210	47	53	L	5	12	74	A	57	7	M6	60	6.6	11	6.5
GR2505BS-CALR	25	5	3.1750	22.5	1.5X2	11000	26600	210	47	53	L	5	12	74	C1	-	-	M6	60	6.6	11	6.5
GR2505DS-AALR	25	5	3.1750	22.5	2.5X1	9400	22200	170	47	48	L	5	12	74	A	57	7.5	M6	60	6.6	11	6.5
GR2505DS-CALR	25	5	3.1750	22.5	2.5X1	9400	22200	170	47	48	L	5	12	74	C1	-	-	M6	60	6.6	11	6.5
GR2505ES-AALR	25	5	3.1750	22.5	2.5X2	17000	44400	320	47	58	L	5	12	74	A	57	7.5	M6	60	6.6	11	6.5
GR2505ES-CALR	25	5	3.1750	22.5	2.5X2	17000	44400	320	47	58	L	5	12	74	C1	-	-	M6	60	6.6	11	6.5
GR2506BS-AALR	25	6	3.9688	21.6	1.5X2	14700	32400	210	50	61	L	5	12	78	A	59	7.5	M6	63	6.6	11	6.5
GR2506BS-CALR	25	6	3.9688	21.6	1.5X2	14700	32400	210	50	61	L	5	12	78	C1	-	-	M6	63	6.6	11	6.5
GR2506DS-AALR	25	6	3.9688	21.6	2.5X1	12500	27000	180	50	49	L	5	12	78	A	59	7.5	M6	63	6.6	11	6.5
GR2506DS-CALR	25	6	3.9688	21.6	2.5X1	12500	27000	180	50	49	L	5	12	78	C1	-	-	M6	63	6.6	11	6.5
GR2506ES-AALR	25	6	3.9688	21.6	2.5X2	22700	54000	330	50	67	L	5	12	78	A	59	7.5	M6	63	6.6	11	6.5
GR2506ES-CALR	25	6	3.9688	21.6	2.5X2	22700	54000	330	50	67	L	5	12	78	C1	-	-	M6	63	6.6	11	6.5
GR2508DS-AAPR	25	8	4.7625	21.0	2.5X1	16100	33400	180	52	63	P	5	15	86	A	66	10	M6	68	9	14	8.6
GR2508DS-CAPR	25	8	4.7625	21.0	2.5X1	16100	33400	180	52	63	P	5	15	86	C1	-	-	M6	68	9	14	8.6
GR2508GS-AAPR	25	8	4.7625	21.0	3.5X1	21400	46800	240	52	65	P	6	15	86	A	66	10	M6	68	9	14	8.6
GR2508GS-CAPR	25	8	4.7625	21.0	3.5X1	21400	46800	240	52	65	P	6	15	86	C1	-	-	M6	68	9	14	8.6

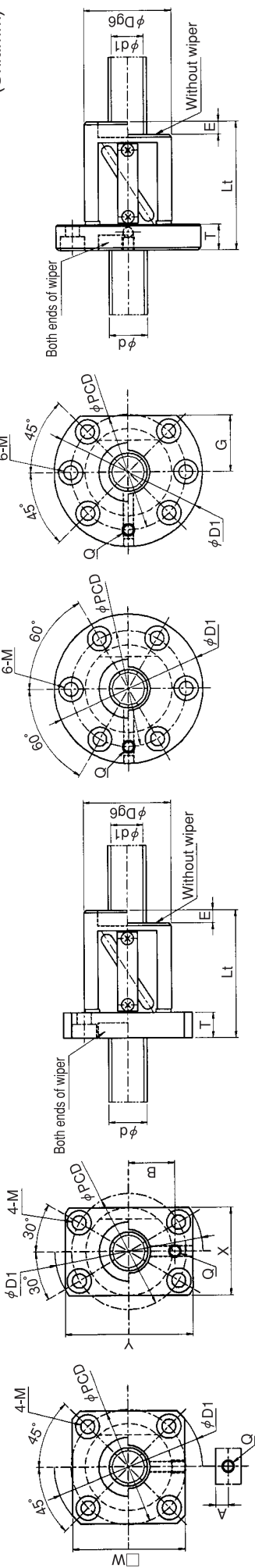
Wiper material P:Plastics wiper L:Lip seal

Refer to page 24 for NOTATION OF MODEL NUMBER.

**Tube Method Single Nut**

**Screw shaft diameter Ø25,Ø28**

(Unit:mm)



Flange type A

Flange type B

Flange type C

Flange type D

Model No.	Screw shaft diameter d	Lead L	Ball diameter Db	Root diameter d1	Number of circuits Turn/Circuit	Basic load rating		Rigidity Kns (N/µm)	Outer diameter D	Overall length Lt	Wiper	Without wiper	Thickness Outer diameter		Type	Nut dimensions						Mounting hole				
						C (N)	Co (N)						E	T		D1	W	X	Y	A	B	G	Q	PCD	M	
																									Oil hole	
GR2510DS-AALR	25	10	4.7625	21.0	2.5X1	16100	33400	180	52	65	L	5	15	86	A	66	-	10	-	-	-	M6	68	9	14	8.6
GR2510DS-BALR	25	10	4.7625	21.0	2.5X1	16100	33400	180	52	65	L	5	15	86	B	-	52	78	-	30	-	M6	68	9	14	8.6
GR2510GS-AALR	25	10	4.7625	21.0	3.5X1	21400	46800	240	52	75	L	5	15	86	A	66	-	10	-	-	-	M6	68	9	14	8.6
GR2510GS-BALR	25	10	4.7625	21.0	3.5X1	21400	46800	240	52	75	L	5	15	86	B	-	52	78	-	30	-	M6	68	9	14	8.6
GR2520AS-AALR	25	20	4.7625	21.0	1.5X1	10400	20100	110	52	70	L	8	15	86	A	66	-	10	-	-	-	M6	68	9	14	8.6
GR2520AS-BALR	25	20	4.7625	21.0	1.5X1	10400	20100	110	52	70	L	8	15	86	B	-	52	78	-	30	-	M6	68	9	14	8.6
GR2520DS-AALR	25	20	4.7625	21.0	2.5X1	16100	33400	180	52	90	L	8	15	86	A	66	-	10	-	-	-	M6	68	9	14	8.6
GR2520DS-BALR	25	20	4.7625	21.0	2.5X1	16100	33400	180	52	90	L	8	15	86	B	-	52	78	-	30	-	M6	68	9	14	8.6
GR2525AS-AALR	25	25	4.7625	21.0	1.5X1	10400	20100	110	54	77	L	7	15	88	A	67	-	10	-	-	-	M6	70	9	14	8.6
GR2525AS-BALR	25	25	4.7625	21.0	1.5X1	10400	20100	110	54	77	L	7	15	88	B	-	54	78	-	30	-	M6	70	9	14	8.6
GR2525DS-AALR	25	25	4.7625	21.0	2.5X1	16100	33400	180	54	102	L	7	15	88	A	67	-	10	-	-	-	M6	70	9	14	8.6
GR2525DS-BALR	25	25	4.7625	21.0	2.5X1	16100	33400	180	54	102	L	7	15	88	B	-	54	78	-	30	-	M6	70	9	14	8.6
GR2540AS-AAPR	25	40	4.7625	21.0	1.5X1	10400	20100	110	54	111	P	8	15	88	A	67	-	10	-	-	-	M6	70	9	14	8.6
GR2540AS-BAPR	25	40	4.7625	21.0	1.5X1	10400	20100	110	54	111	P	8	15	88	B	-	54	78	-	30	-	M6	70	9	14	8.6
GR2805DS-CAPR	28	5	3.1750	25.5	2.5X1	9800	24900	190	54	43	P	5	12	82	C	-	-	-	-	-	-	M6	67	6.6	11	6.5
GR2805DS-DAPR	28	5	3.1750	25.5	2.5X1	9800	24900	190	54	43	P	5	12	82	D	-	-	-	-	-	-	M6	67	6.6	11	6.5
GR2805ES-CAPR	28	5	3.1750	25.5	2.5X2	17900	49800	360	54	58	P	5	12	82	C	-	-	-	-	-	-	M6	67	6.6	11	6.5
GR2805ES-DAPR	28	5	3.1750	25.5	2.5X2	17900	49800	360	54	58	P	5	12	82	D	-	-	-	-	-	-	M6	67	6.6	11	6.5
GR2810DS-CAPR	28	10	4.7625	24.0	2.5X1	17000	37600	200	56	65	P	5	15	84	C	-	-	-	-	-	-	M6	69	6.6	11	6.5
GR2810DS-DAPR	28	10	4.7625	24.0	2.5X1	17000	37600	200	56	65	P	5	15	84	D	-	-	-	-	-	-	M6	69	6.6	11	6.5
GR2820DS-CAPR	28	20	4.7625	24.0	2.5X1	17000	37600	200	56	89	P	6	15	84	C	-	-	-	-	-	-	M6	69	6.6	11	6.5
GR2820DS-DAPR	28	20	4.7625	24.0	2.5X1	17000	37600	200	56	89	P	6	15	84	D	-	-	-	-	-	-	M6	69	6.6	11	6.5

Wiper material P:Plastics wiper L:Lip seal

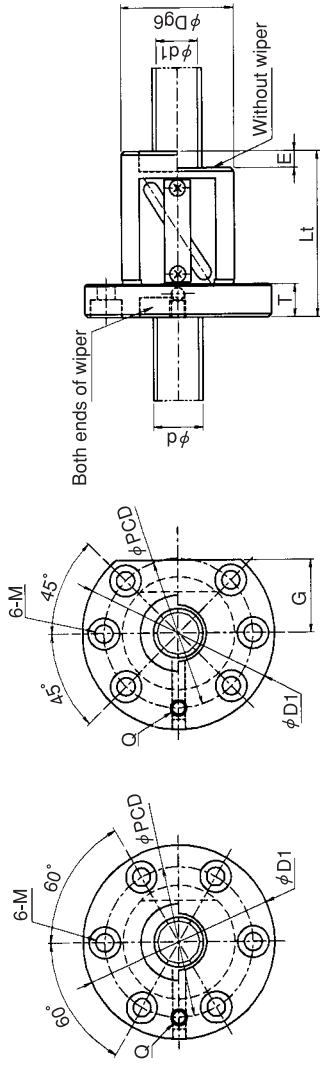
Refer to page 24 for NOTATION OF MODEL NUMBER.

**KURODA** Customized Ground Ball Screw:GR Series(Accuracy grade C0-C10)

**Tube Method Single Nut**

**Screw shaft diameter Ø32**

(Unit:mm)



Flange type C

Flange type D

Model No.	Screw shaft diameter d	Lead L	Ball diameter Db	Root diameter dt	Number of circuits Turn/Circuit	Basic static load rating		Rigidity Kns (N/μm)	Nut dimensions				Mounting hole M						
						C (N)	Co (N)		Flange dimensions		Oil hole		Drill	Spot facing	Depth				
									Thickness	Type	G	Q				T	D1		
GR3204DS-CAPR	32	4	2.3812	30.1	2.5X1	5800	18900	200	P	3	12	81	C	-	M6	67	6.6	11	6.5
GR3204DS-DAPR	32	4	2.3812	30.1	2.5X1	5800	18900	200	P	3	12	81	D	31	M6	67	6.6	11	6.5
GR3204ES-CAPR	32	4	2.3812	30.1	2.5X2	10500	37800	370	P	3	12	81	C	-	M6	67	6.6	11	6.5
GR3204ES-DAPR	32	4	2.3812	30.1	2.5X2	10500	37800	370	P	3	12	81	D	31	M6	67	6.6	11	6.5
GR3205DS-CALR	32	5	3.1750	29.5	2.5X1	10500	28600	220	L	5	12	85	C	-	M6	71	6.6	11	6.5
GR3205DS-DALR	32	5	3.1750	29.5	2.5X1	10500	28600	220	L	5	12	85	D	32	M6	71	6.6	11	6.5
GR3205ES-CALR	32	5	3.1750	29.5	2.5X2	19000	57200	400	L	5	12	85	C	-	M6	71	6.6	11	6.5
GR3205ES-DALR	32	5	3.1750	29.5	2.5X2	19000	57200	400	L	5	12	85	D	32	M6	71	6.6	11	6.5
GR3205FS-CALR	32	5	3.1750	29.5	2.5X3	26900	85800	570	L	5	12	85	C	-	M6	71	6.6	11	6.5
GR3205FS-DALR	32	5	3.1750	29.5	2.5X3	26900	85800	570	L	5	12	85	D	32	M6	71	6.6	11	6.5
GR3206DS-CALR	32	6	3.9688	28.6	2.5X1	14400	35500	220	L	5	12	89	C	-	M6	75	6.6	11	6.5
GR3206DS-DALR	32	6	3.9688	28.6	2.5X1	14400	35500	220	L	5	12	89	D	34	M6	75	6.6	11	6.5
GR3206ES-CALR	32	6	3.9688	28.6	2.5X2	26000	71000	410	L	5	12	89	C	-	M6	75	6.6	11	6.5
GR3206ES-DALR	32	6	3.9688	28.6	2.5X2	26000	71000	410	L	5	12	89	D	34	M6	75	6.6	11	6.5
GR3208BS-CALR	32	8	4.7625	28.0	1.5X2	20900	50000	250	L	6	15	100	C	-	M6	82	9	14	8.6
GR3208BS-DALR	32	8	4.7625	28.0	1.5X2	20900	50000	250	L	6	15	100	D	38	M6	82	9	14	8.6
GR3208DS-CALR	32	8	4.7625	28.0	2.5X1	17800	41700	220	L	6	15	100	C	-	M6	82	9	14	8.6
GR3208DS-DALR	32	8	4.7625	28.0	2.5X1	17800	41700	220	L	6	15	100	D	38	M6	82	9	14	8.6
GR3208ES-CALR	32	8	4.7625	28.0	2.5X2	32300	83400	350	L	6	15	100	C	-	M6	82	9	14	8.6
GR3208ES-DALR	32	8	4.7625	28.0	2.5X2	32300	83400	350	L	6	15	100	D	38	M6	82	9	14	8.6

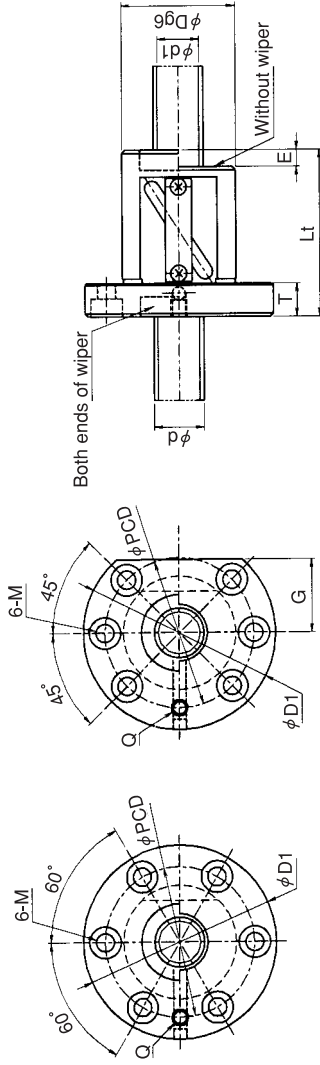
Wiper material P:Plastics wiper L:Lip seal

Refer to page 24 for NOTATION OF MODEL NUMBER.

**Tube Method Single Nut**

**Screw shaft diameter Ø32**

(Unit:mm)



Flange type C

Flange type D

Model No.	Screw shaft diameter d	Lead L	Ball diameter D <sub>b</sub>	Root diameter d <sub>i</sub>	Number of circuits Turn/Circuit	Basic dynamic load rating C (N)	Basic static load rating C <sub>0</sub> (N)	Rigidity K <sub>NS</sub> (N/μm)	Nut dimensions				Mounting hole								
									Outer diameter		Flange dimensions		Oil hole		M						
									D	Lt	Thickness	Outer diameter	Type	G	Q	Drill	Spot facing	Depth			
GR3210BS-CALR	32	10	6.3500	27.2	1.5X2	30300	66700	260	74	88	L	8	15	108	C	-	M6	90	9	14	8.6
GR3210BS-DALR	32	10	6.3500	27.2	1.5X2	30300	66700	260	74	88	L	8	15	108	D	41	M6	90	9	14	8.6
GR3210DS-CALR	32	10	6.3500	27.2	2.5X1	25800	55600	230	74	68	L	8	15	108	C	-	M6	90	9	14	8.6
GR3210DS-DALR	32	10	6.3500	27.2	2.5X1	25800	55600	230	74	68	L	8	15	108	D	41	M6	90	9	14	8.6
GR3210ES-CALR	32	10	6.3500	27.2	2.5X2	46900	111200	410	74	98	L	8	15	108	C	-	M6	90	9	14	8.6
GR3210ES-DALR	32	10	6.3500	27.2	2.5X2	46900	111200	410	74	98	L	8	15	108	D	41	M6	90	9	14	8.6
GR3212DS-CAPR	32	12	6.3500	27.2	2.5X1	25800	55600	240	74	81	P	8	18	108	C	-	M6	90	9	14	8.6
GR3212DS-DAPR	32	12	6.3500	27.2	2.5X1	25800	55600	240	74	81	P	8	18	108	D	41	M6	90	9	14	8.6
GR3212GS-CAPR	32	12	6.3500	27.2	3.5X1	34500	77800	330	74	93	P	8	18	108	C	-	M6	90	9	14	8.6
GR3212GS-DAPR	32	12	6.3500	27.2	3.5X1	34500	77800	330	74	93	P	8	18	108	D	41	M6	90	9	14	8.6
GR3220DS-CALR	32	20	6.3500	27.2	2.5X1	25800	55600	250	72	96	L	9	18	106	C	-	M6	88	9	14	8.6
GR3220DS-DALR	32	20	6.3500	27.2	2.5X1	25800	55600	250	72	96	L	9	18	106	D	40	M6	88	9	14	8.6
GR3232AS-CAPR	32	32	4.7625	28.0	1.5X1	11500	26300	150	64	95	P	9	18	98	C	-	M6	80	9	14	8.6
GR3232AS-DAPR	32	32	4.7625	28.0	1.5X1	11500	26300	150	64	95	P	9	18	98	D	38	M6	80	9	14	8.6
GR3232DS-CAPR	32	32	4.7625	28.0	2.5X1	17800	43900	230	64	127	P	9	18	98	C	-	M6	80	9	14	8.6
GR3232DS-DAPR	32	32	4.7625	28.0	2.5X1	17800	43900	230	64	127	P	9	18	98	D	38	M6	80	9	14	8.6

Wiper material P:Plastics wiper L:Lip seal

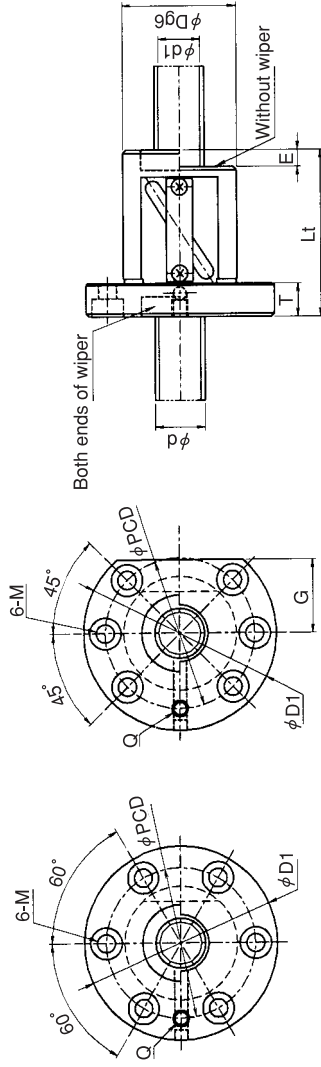
Refer to page 24 for NOTATION OF MODEL NUMBER.

**KURODA** Customized Ground Ball Screw:GR Series(Accuracy grade C0-C10)

Tube Method Single Nut

Screw shaft diameter Ø36

(Unit:mm)



Flange type C

Flange type D

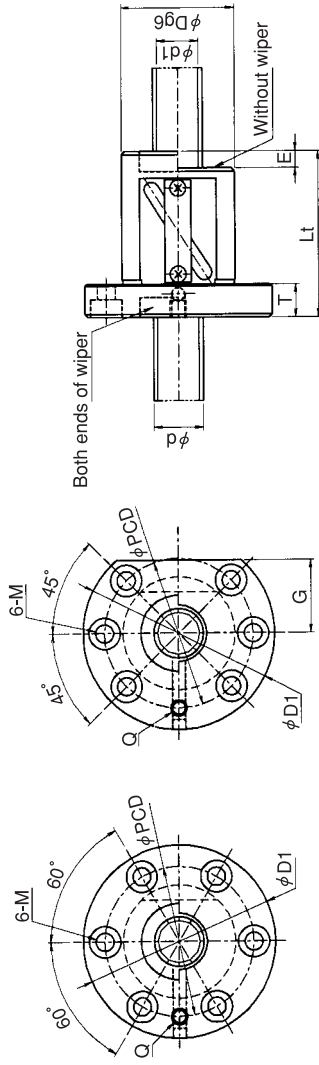
Model No.	Screw shaft diameter d	Lead L	Ball diameter Db	Root diameter d1	Number of circuits Turn/Circuit	Basic dynamic load rating C (N)	Basic static load rating Co (N)	Rigidity Kns (N/um)	Nut dimensions				Mounting hole								
									Outer diameter D	Overall length Lt	Wiper	Without wiper E	Flange dimensions		Oil hole	PCD	M				
													Thickness T	Outer diameter D1			Type	G	Q	Drill	Spot facing
GR3605DS-CAPR	36	5	3.1750	33.5	2.5X1	11000	32300	240	64	46	P	5	15	98	C	-	M6	80	9	14	8.6
GR3605DS-DAPR	36	5	3.1750	33.5	2.5X1	11000	32300	240	64	46	P	5	15	98	D	38	M6	80	9	14	8.6
GR3605ES-CAPR	36	5	3.1750	33.5	2.5X2	20100	64600	440	64	61	P	5	15	98	C	-	M6	80	9	14	8.6
GR3605ES-DAPR	36	5	3.1750	33.5	2.5X2	20100	64600	440	64	61	P	5	15	98	D	38	M6	80	9	14	8.6
GR3605FS-CAPR	36	5	3.1750	33.5	2.5X3	28300	96900	630	64	76	P	5	15	98	C	-	M6	80	9	14	8.6
GR3605FS-DAPR	36	5	3.1750	33.5	2.5X3	28300	96900	630	64	76	P	5	15	98	D	38	M6	80	9	14	8.6
GR3606DS-CAPR	36	6	3.9688	32.6	2.5X1	15100	39800	240	66	52	P	5	15	100	C	-	M6	82	9	14	8.6
GR3606DS-DAPR	36	6	3.9688	32.6	2.5X1	15100	39800	240	66	52	P	5	15	100	D	38	M6	82	9	14	8.6
GR3606ES-CAPR	36	6	3.9688	32.6	2.5X2	27200	79600	450	66	70	P	5	15	100	C	-	M6	82	9	14	8.6
GR3606ES-DAPR	36	6	3.9688	32.6	2.5X2	27200	79600	450	66	70	P	5	15	100	D	38	M6	82	9	14	8.6
GR3606FS-CAPR	36	6	3.9688	32.6	2.5X3	38500	119400	660	66	88	P	5	15	100	C	-	M6	82	9	14	8.6
GR3606FS-DAPR	36	6	3.9688	32.6	2.5X3	38500	119400	660	66	88	P	5	15	100	D	38	M6	82	9	14	8.6
GR3608DS-CAPR	36	8	4.7625	32.0	2.5X1	19200	47900	240	70	57	P	6	15	104	C	-	M6	86	9	14	8.6
GR3608DS-DAPR	36	8	4.7625	32.0	2.5X1	19200	47900	240	70	57	P	6	15	104	D	40	M6	86	9	14	8.6
GR3608ES-CAPR	36	8	4.7625	32.0	2.5X2	34700	95800	460	70	81	P	6	15	104	C	-	M6	86	9	14	8.6
GR3608ES-DAPR	36	8	4.7625	32.0	2.5X2	34700	95800	460	70	81	P	6	15	104	D	40	M6	86	9	14	8.6

Wiper material P:Plastics wiper

**Tube Method Single Nut**

**Screw shaft diameter Ø36**

(Unit:mm)



Flange type C

Flange type D

Model No.	Screw shaft diameter d	Lead L	Ball diameter Db	Root diameter d1	Number of circuits Turn/Circuit	Basic dynamic load rating C (N)	Basic static load rating Co (N)	Rigidity Kns (N/µm)	Nut dimensions					Mounting hole							
									Outer diameter		Wiper	Without wiper	Flange dimensions			Oil hole	M				
									D	Lt			E	Thickness	Outer diameter		Type	G	Q	Drill	Spot facing
GR3610DS-CALR	36	10	6.3500	31.2	2.5X1	27600	63000	240	76	68	L	8	15	110	C	-	M6	92	9	14	8.6
GR3610DS-DALR	36	10	6.3500	31.2	2.5X1	27600	63000	240	76	68	L	8	15	110	D	42	M6	92	9	14	8.6
GR3610ES-CALR	36	10	6.3500	31.2	2.5X2	50100	126000	460	76	98	L	8	15	110	C	-	M6	92	9	14	8.6
GR3610ES-DALR	36	10	6.3500	31.2	2.5X2	50100	126000	460	76	98	L	8	15	110	D	42	M6	92	9	14	8.6
GR3612DS-CAPR	36	12	7.1438	30.6	2.5X1	32800	69700	250	81	81	P	8	18	123	C	-	M6	101	11	17.5	10.8
GR3612DS-DAPR	36	12	7.1438	30.6	2.5X1	32800	69700	250	81	81	P	8	18	123	D	47	M6	101	11	17.5	10.8
GR3612GS-CAPR	36	12	7.1438	30.6	3.5X1	43700	97600	350	81	93	P	8	18	123	C	-	M6	101	11	17.5	10.8
GR3612GS-DAPR	36	12	7.1438	30.6	3.5X1	43700	97600	350	81	93	P	8	18	123	D	47	M6	101	11	17.5	10.8
GR3620DS-CALR	36	20	6.3500	31.2	2.5X1	27600	63000	240	74	96	L	9	18	108	C	-	M6	90	9	14	8.6
GR3620DS-DALR	36	20	6.3500	31.2	2.5X1	27600	63000	240	74	96	L	9	18	108	D	41	M6	90	9	14	8.6
GR3624DS-CAPR	36	24	6.3500	31.2	2.5X1	27600	63000	280	74	107	P	9	18	108	C	-	M6	90	9	14	8.6
GR3624DS-DAPR	36	24	6.3500	31.2	2.5X1	27600	63000	280	74	107	P	9	18	108	D	41	M6	90	9	14	8.6

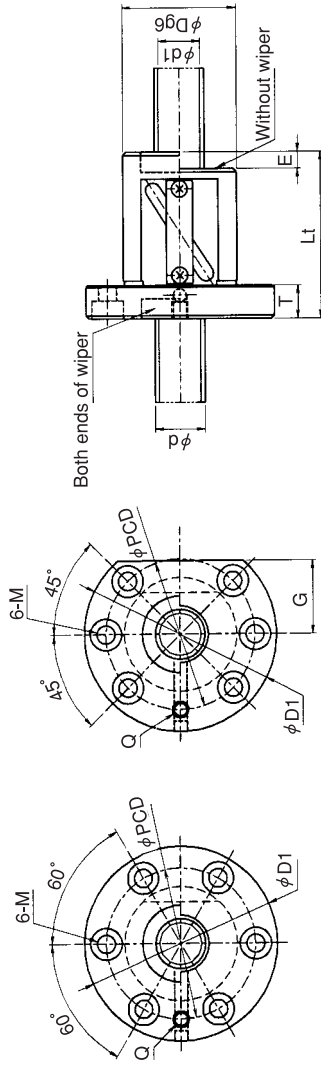
Wiper material P:Plastics wiper L:Lip seal

**KURODA** Customized Ground Ball Screw:GR Series(Accuracy grade C0-C10)

Tube Method Single Nut

Screw shaft diameter Ø40

(Unit:mm)



Flange type C

Flange type D

Model No.	Screw shaft diameter d	Lead L	Ball diameter D <sub>b</sub>	Root diameter d <sub>i</sub>	Number of circuits Turn/Circuit	Basic dynamic load rating C (N)	Basic static load rating C <sub>0</sub> (N)	Rigidity K <sub>NS</sub> (N/μm)	Nut dimensions				Mounting hole								
									Outer diameter		Wiper	Without wiper	Flange dimensions		Oil hole		M	Depth			
									D	Lt			Thickness	Outer diameter	Type	G			Q	Drill	Spot facing
GR4005DS-CAPR	40	5	3.1750	37.5	2.5X1	11600	36000	260	67	46	P	5	15	101	C	-	Rc1/8	83	9	14	8.6
GR4005DS-DAPR	40	5	3.1750	37.5	2.5X1	11600	36000	260	67	46	P	5	15	101	D	39	Rc1/8	83	9	14	8.6
GR4005ES-CAPR	40	5	3.1750	37.5	2.5X2	21000	72000	480	67	61	P	5	15	101	C	-	Rc1/8	83	9	14	8.6
GR4005ES-DAPR	40	5	3.1750	37.5	2.5X2	21000	72000	480	67	61	P	5	15	101	D	39	Rc1/8	83	9	14	8.6
GR4005FS-CAPR	40	5	3.1750	37.5	2.5X3	29800	108000	700	67	76	P	5	15	101	C	-	Rc1/8	83	9	14	8.6
GR4005FS-DAPR	40	5	3.1750	37.5	2.5X3	29800	108000	700	67	76	P	5	15	101	D	39	Rc1/8	83	9	14	8.6
GR4006BS-CAPR	40	6	3.9688	36.6	1.5X2	18200	52800	310	70	64	P	5	15	104	C	-	Rc1/8	86	9	14	8.6
GR4006BS-DAPR	40	6	3.9688	36.6	1.5X2	18200	52800	310	70	64	P	5	15	104	D	40	Rc1/8	86	9	14	8.6
GR4006ES-CAPR	40	6	3.9688	36.6	2.5X2	28300	88000	490	70	70	P	5	15	104	C	-	Rc1/8	86	9	14	8.6
GR4006ES-DAPR	40	6	3.9688	36.6	2.5X2	28300	88000	490	70	70	P	5	15	104	D	40	Rc1/8	86	9	14	8.6
GR4006FS-CAPR	40	6	3.9688	36.6	2.5X3	40200	132000	710	70	88	P	5	15	104	C	-	Rc1/8	86	9	14	8.6
GR4006FS-DAPR	40	6	3.9688	36.6	2.5X3	40200	132000	710	70	88	P	5	15	104	D	40	Rc1/8	86	9	14	8.6
GR4008DS-CALR	40	8	4.7625	36.0	2.5X1	19600	54200	270	74	57	L	6	15	108	C	-	Rc1/8	90	9	14	8.6
GR4008DS-DALR	40	8	4.7625	36.0	2.5X1	19600	54200	270	74	57	L	6	15	108	D	41	Rc1/8	90	9	14	8.6
GR4008ES-CALR	40	8	4.7625	36.0	2.5X2	35600	108400	510	74	81	L	6	15	108	C	-	Rc1/8	90	9	14	8.6
GR4008ES-DALR	40	8	4.7625	36.0	2.5X2	35600	108400	510	74	81	L	6	15	108	D	41	Rc1/8	90	9	14	8.6

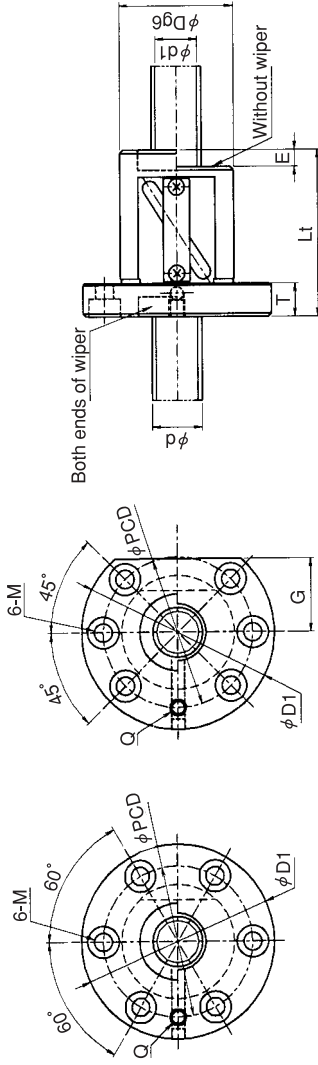
Wiper material P:Plastics wiper L:Lip seal

Refer to page 24 for NOTATION OF MODEL NUMBER.

**Tube Method Single Nut**

Screw shaft diameter  $\varnothing 40$

(Unit:mm)



Flange type C

Flange type D

Model No.	Screw shaft diameter d	Lead L	Ball diameter Db	Root diameter d1	Number of circuits Turn/Circuit	Basic dynamic load rating C (N)	Basic static load rating Co (N)	Rigidity Kns (N/μm)	Nut dimensions				Mounting hole								
									Outer diameter D	Overall length Lt	Wiper	Without wiper E	Thickness T	Outer diameter Di	Type	G	Oil hole Q	PCD	M	Drill	Spot facing
GR4010BS-CALR	40	10	6.3500	35.2	1.5X2	34200	89200	320	82	91	L	8	18	124	C	-	Rc1/8	102	11	17.5	10.8
GR4010BS-DALR	40	10	6.3500	35.2	1.5X2	34200	89200	320	82	91	L	8	18	124	D	47	Rc1/8	102	11	17.5	10.8
GR4010DS-CALR	40	10	6.3500	35.2	2.5X1	29300	74300	270	82	71	L	8	18	124	C	-	Rc1/8	102	11	17.5	10.8
GR4010DS-DALR	40	10	6.3500	35.2	2.5X1	29300	74300	270	82	71	L	8	18	124	D	47	Rc1/8	102	11	17.5	10.8
GR4010ES-CALR	40	10	6.3500	35.2	2.5X2	53000	140800	510	82	101	L	8	18	124	C	-	Rc1/8	102	11	17.5	10.8
GR4010ES-DALR	40	10	6.3500	35.2	2.5X2	53000	140800	510	82	101	L	8	18	124	D	47	Rc1/8	102	11	17.5	10.8
GR4012DS-CALR	40	12	7.1438	34.6	2.5X1	35100	79000	290	86	81	L	8	18	128	C	-	Rc1/8	106	11	17.5	10.8
GR4012DS-DALR	40	12	7.1438	34.6	2.5X1	35100	79000	290	86	81	L	8	18	128	D	48	Rc1/8	106	11	17.5	10.8
GR4012ES-CALR	40	12	7.1438	34.6	2.5X2	63700	158000	560	86	117	L	8	18	128	C	-	Rc1/8	106	11	17.5	10.8
GR4012ES-DALR	40	12	7.1438	34.6	2.5X2	63700	158000	560	86	117	L	8	18	128	D	48	Rc1/8	106	11	17.5	10.8
GR4016DS-CAPR	40	16	7.1438	34.6	2.5X1	35100	79000	290	86	91	P	9	22	128	C	-	Rc1/8	106	11	17.5	10.8
GR4016DS-DAPR	40	16	7.1438	34.6	2.5X1	35100	79000	290	86	91	P	9	22	128	D	48	Rc1/8	106	11	17.5	10.8
GR4016GS-CALR	40	16	7.1438	34.6	3.5X1	46800	110600	400	86	107	L	9	22	128	C	-	Rc1/8	106	11	17.5	10.8
GR4016GS-DALR	40	16	7.1438	34.6	3.5X1	46800	110600	400	86	107	L	9	22	128	D	48	Rc1/8	106	11	17.5	10.8
GR4020DS-CAPR	40	20	7.1438	34.6	2.5X1	35100	79000	290	86	105	P	9	22	128	C	-	Rc1/8	106	11	17.5	10.8
GR4020DS-DAPR	40	20	7.1438	34.6	2.5X1	35100	79000	290	86	105	P	9	22	128	D	48	Rc1/8	106	11	17.5	10.8
GR4020GS-CAPR	40	20	7.1438	34.6	3.5X1	46800	110600	400	86	125	P	9	22	128	C	-	Rc1/8	106	11	17.5	10.8
GR4020GS-DAPR	40	20	7.1438	34.6	3.5X1	46800	110600	400	86	125	P	9	22	128	D	48	Rc1/8	106	11	17.5	10.8
GR4032DS-CAPR	40	32	6.3500	35.2	2.5X1	29300	74300	310	78	133	P	8	22	120	C	-	Rc1/8	98	11	17.5	10.8
GR4032DS-DAPR	40	32	6.3500	35.2	2.5X1	29300	74300	310	78	133	P	8	22	120	D	46	Rc1/8	98	11	17.5	10.8
GR4040AS-CAPR	40	40	6.3500	35.2	1.5X1	18800	44600	200	78	114	P	8	22	120	C	-	Rc1/8	98	11	17.5	10.8
GR4040AS-DAPR	40	40	6.3500	35.2	1.5X1	18800	44600	200	78	114	P	8	22	120	D	46	Rc1/8	98	11	17.5	10.8

Wiper material P:Plastics wiper L:Lip seal

Refer to page 24 for NOTATION OF MODEL NUMBER.