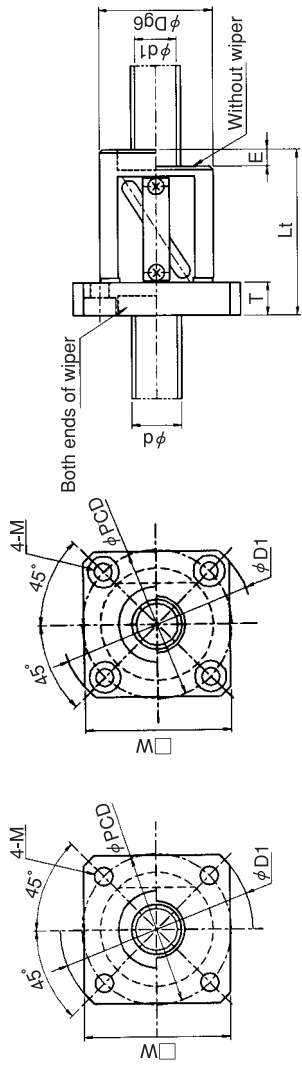


**KURODA** Customized Ground Ball Screw:GR Series(Accuracy grade C0-C10)

**Tube Method Single Nut**

**Screw shaft diameter Ø5-Ø8**

(Unit:mm)



Flange type E

Flange type A

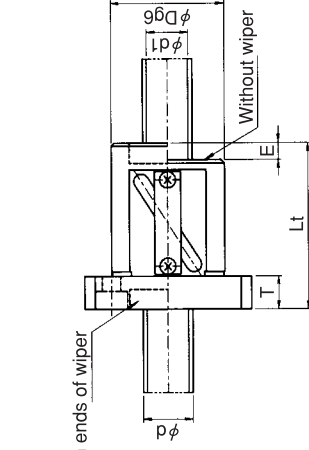
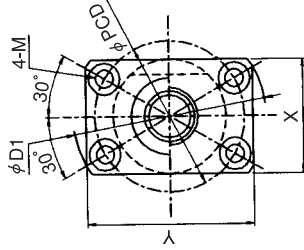
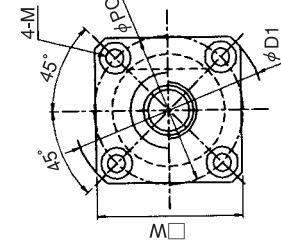
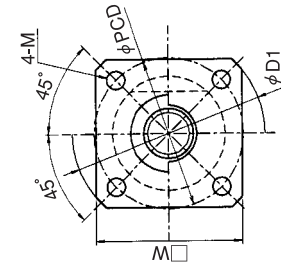
Model No.	Screw shaft diameter d	Lead L	Ball diameter Db	Root diameter d1	Number of circuits Turn/Circuit	Basic dynamic load rating C (N)	Basic static load rating Co (N)	Rigidity Kns (N/μm)	Nut dimensions				Mounting hole							
									Outer diameter D	Overall length Lt	Wiper Without wiper E	Flange dimensions			M					
												Thickness T	Outer diameter D1	Type	PCD	Drill	Spot facing	Depth		
GR0501GS-EGNR	5	1	0.8000	4.3	3.5X1	600	1100	50	12	16	N	3	25	E	19	18	2.8	-	-	
GR0601JS-EDNR	6	1	0.8000	5.3	1X3	550	1150	50	16	21	N	-	4	31	E	24	23	3.4	-	-
GR0801JS-EDNR	8	1	0.8000	7.3	1X3	650	1600	60	17	21	N	-	4	32	E	25	24	3.4	-	-
GR081FDS-AAFR	8	1.5	1.0000	7.1	2.5X1	850	1900	50	16	24	F	5	32	A	25	23	3.4	6.5	3.3	3.3
GR0802DS-AAFR	8	2	1.5875	6.6	2.5X1	1950	2600	60	20	30	F	3	36	A	28	27	3.4	6.5	3.3	3.3
GR082FDS-AAFR	8	2.5	2.0000	6.3	2.5X1	2350	3300	60	22	29	F	2	38	A	29	29	3.4	6.5	3.3	3.3
GR0803DS-AAFR	8	3	2.0000	6.3	2.5X1	2350	3300	60	22	30	F	3	38	A	29	29	3.4	6.5	3.3	3.3
GR0804DS-AAFR	8	4	2.0000	6.3	2.5X1	2350	3300	60	22	30	F	3	38	A	29	29	3.4	6.5	3.3	3.3
GR0806AS-AAFR	8	6	2.0000	6.3	1.5X1	1550	2000	40	22	29	F	3	38	A	29	29	3.4	6.5	3.3	3.3
GR0808AS-AAFR	8	8	2.0000	6.3	1.5X1	1550	2000	40	23	29	F	3	39	A	30	30	3.4	6.5	3.3	3.3

Wiper material N:Without wiper F:Felt wiper

Refer to page 24 for NOTATION OF MODEL NUMBER.

**Tube Method Single Nut**

**Screw shaft diameter Ø10,Ø12**



(Unit:mm)

**Flange type E**

**Flange type A**

**Flange type B**

Model No.	Screw shaft diameter d	Lead L	Ball diameter Db	Root diameter d1	Number of circuits Turn/Circuit	Basic dynamic load rating C (N)	Basic static load rating Co (N)	Rigidity Kns (N/um)	Outer diameter		Wiper	Without wiper	Nut dimensions				Mounting hole				
									D	D1			Thickness	Outer diameter	Type	W	X	Y	PCD	M	
																				Drill	Spot facing
GR1001JS-EDNR	10	1	0.8000	9.3	1X3	750	1750	70	19	22	N	-	5	36	E	29	-	27	4.5	-	
GR101FDS-EAFR	10	1.5	1.0000	9.1	2.5X1	850	2300	60	19	24	F	5	5	36	E	29	-	27	4.5	-	
GR1002DS-EAFR	10	2	1.5875	8.6	2.5X1	2250	3300	70	23	30	F	3	5	40	E	31	-	31	4.5	-	
GR102FDS-AAFR	10	2.5	2.0000	8.3	2.5X1	2700	4200	70	24	35	F	5	8	43	A	33	-	32	4.5	8	
GR1003DS-AAFR	10	3	2.0000	8.3	2.5X1	2700	4200	70	24	36	P	6	8	43	A	33	-	32	4.5	8	
GR1004DS-AAFR	10	4	2.3812	8.1	2.5X1	3350	5900	75	26	37	P	3	8	45	A	35	-	34	4.5	8	
GR1004DS-BAPR	10	4	2.3812	8.1	2.5X1	3350	5900	75	26	37	P	3	8	46	B	-	28	42	36	4.5	8
GR1005DS-AAFR	10	5	2.3812	8.1	2.5X1	3350	5900	75	26	40	P	5	8	45	A	35	-	34	4.5	8	
GR1005DS-BAPR	10	5	2.3812	8.1	2.5X1	3350	5900	75	26	40	P	5	8	46	B	-	28	42	36	4.5	8
GR1010AS-AAFR	10	10	2.3812	8.1	1.5X1	2200	3500	50	28	40	P	6	8	47	A	36	-	36	4.5	8	
GR1010AS-BAPR	10	10	2.3812	8.1	1.5X1	2200	3500	50	28	40	P	6	8	47	B	-	30	45	36	4.5	8
GR1202DS-AAFR	12	2	1.5875	10.6	2.5X1	2450	4100	85	25	35	P	5	8	44	A	34	-	33	4.5	8	
GR122FDS-AAFR	12	2.5	2.0000	10.3	2.5X1	2950	5100	85	26	34	P	4	8	45	A	35	-	34	4.5	8	
GR1203DS-AAFR	12	3	2.0000	10.3	2.5X1	2950	5100	85	26	35	P	5	8	45	A	35	-	34	4.5	8	
GR1204DS-AALR	12	4	2.3812	10.1	2.5X1	3600	6750	85	30	41	L	5	10	54	A	41	-	41	5.5	9.5	
GR1205DS-AALR	12	5	3.1750	9.5	2.5X1	5950	9800	90	30	44	L	3	10	54	A	41	-	41	5.5	9.5	
GR1205DS-BALR	12	5	3.1750	9.5	2.5X1	5950	9800	90	30	44	L	3	10	50	B	-	32	45	40	4.5	8
GR1206DS-AAFR	12	6	3.1750	9.5	2.5X1	5950	9800	90	30	45	P	3	10	54	A	41	-	41	5.5	9.5	
GR1206DS-BAPR	12	6	3.1750	9.5	2.5X1	5950	9800	90	30	45	P	3	10	54	B	-	32	48	41	5.5	9.5
GR1210AS-AALR	12	10	3.1750	9.5	1.5X1	3850	5900	60	30	49	L	7	12	54	A	41	-	41	5.5	9.5	
GR1210AS-BALR	12	10	3.1750	9.5	1.5X1	3850	5900	60	30	49	L	7	12	54	B	-	32	48	41	5.5	9.5
GR1220AS-AALR	12	20	3.1750	9.5	1.5X1	3850	5900	60	32	68	L	7	12	56	A	43	-	43	5.5	9.5	
GR1220AS-BALR	12	20	3.1750	9.5	1.5X1	3850	5900	60	32	68	L	7	12	56	B	-	32	48	43	5.5	9.5

Wiper material N:Without wiper F:Felt wiper P:Plastics wiper L:Lip seal

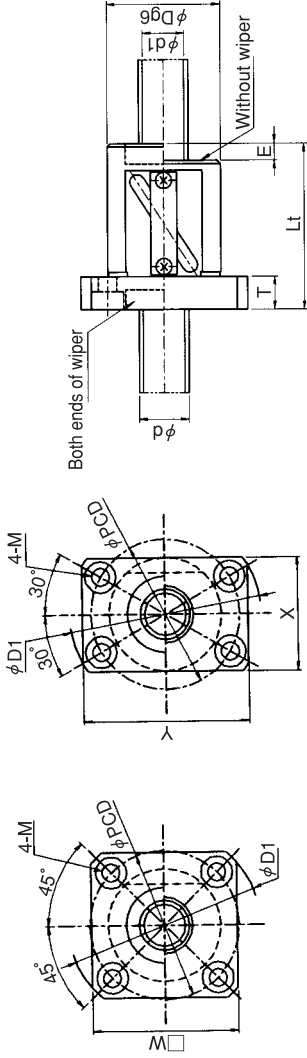
Refer to page 24 for NOTATION OF MODEL NUMBER.



**Tube Method Single Nut**

**Screw shaft diameter Ø16**

(Unit:mm)



Flange type A

Flange type B

Model No.	Screw shaft diameter d	Lead L	Ball diameter Db	Root diameter d1	Number of circuits Turn/Circuit	Basic dynamic load rating C (N)	Basic static load rating Co (N)	Rigidity Kns (N/µm)	Nut dimensions				Mounting hole								
									Outer diameter D	Overall length Lt	Wiper	Without wiper E	Flange dimensions		Mounting hole						
													Thickness	Outer diameter D1	Type	W	X	Y	PCD	Drill	Spot facing
GR1604DS-AAPR	16	4	2.3812	14.1	2.5X1	4200	9000	110	34	41	P	3	10	58	A	44	-	45	5.5	9.5	5.4
GR1604DS-BAPR	16	4	2.3812	14.1	2.5X1	4200	9000	110	34	41	P	3	10	58	B	-	34	50	5.5	9.5	5.4
GR1605DS-AALR	16	5	3.1750	13.5	2.5X1	7400	13900	110	36	44	L	3	10	59	A	46	-	47	5.5	9.5	5.4
GR1605DS-BALR	16	5	3.1750	13.5	2.5X1	7400	13900	110	36	44	L	3	10	59	B	-	36	53	5.5	9.5	5.4
GR1606DS-AAPR	16	6	3.1750	13.5	2.5X1	7400	13900	110	36	45	P	3	10	59	A	46	-	47	5.5	9.5	5.4
GR1606DS-BAPR	16	6	3.1750	13.5	2.5X1	7400	13900	110	36	45	P	3	10	59	B	-	36	53	5.5	9.5	5.4
GR1616AS-AALR	16	16	3.1750	13.5	1.5X1	4750	8300	80	36	54	L	3	12	59	A	46	-	47	5.5	9.5	5.4
GR1616AS-BALR	16	16	3.1750	13.5	1.5X1	4750	8300	80	36	54	L	3	12	59	B	-	36	53	5.5	9.5	5.4

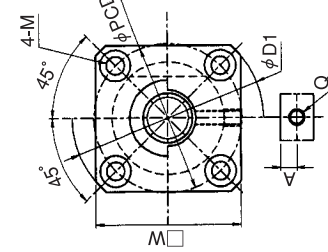
Wiper material P:Plastics wiper L:Lip seal

**KURODA** Customized Ground Ball Screw:GR Series(Accuracy grade C0-C10)

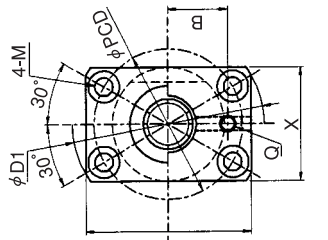
**Tube Method Single Nut**

**Screw shaft diameter Ø20**

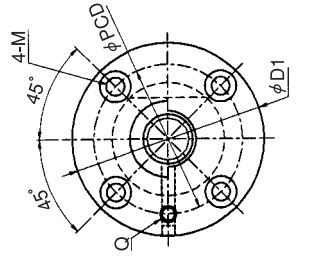
(Unit:mm)



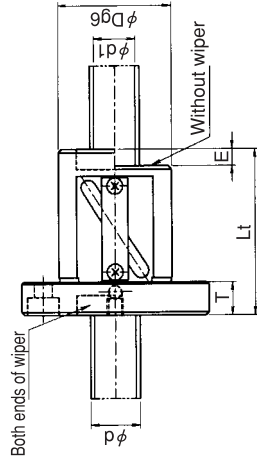
Flange type A



Flange type B



Flange type C1



Model No.	Screw shaft diameter d	Lead L	Ball diameter Db	Root diameter d1	Number of circuits Turn/Circuit	Basic dynamic load rating C (N)	Basic static load rating Co (N)	Rigidity Kns (N/μm)	Outer diameter		Overall length		Wiper		Nut dimensions		Flange dimensions		Mounting hole							
									D	Lt	E	Without wiper	Thickness	Outer diameter	Type	W	X	Y	A	B	Q	Oil hole	PCD		M	
																							D1	D1	Drill	Spotfacing
GR202FDS-AAPR	20	2.5	2.0000	18.3	2.5X1	3800	8800	130	38	36	P	4	10	62	A	47	-	-	5	-	M6	49	5.5	9.5	5.4	
GR202FDS-CAPR	20	2.5	2.0000	18.3	2.5X1	3800	8800	130	38	36	P	4	10	62	C1	-	-	-	-	-	M6	49	5.5	9.5	5.4	
GR2004DS-AAPR	20	4	2.3812	18.1	2.5X1	4700	11700	140	40	41	L	3	10	64	A	49	-	-	5.5	-	M6	51	5.5	9.5	5.4	
GR2004DS-CALR	20	4	2.3812	18.1	2.5X1	4700	11700	140	40	41	L	3	10	64	C1	-	-	-	-	-	M6	51	5.5	9.5	5.4	
GR2004ES-AALR	20	4	2.3812	18.1	2.5X2	8600	23400	250	40	49	L	3	10	64	A	49	-	-	5.5	-	M6	51	5.5	9.5	5.4	
GR2004ES-CALR	20	4	2.3812	18.1	2.5X2	8600	23400	250	40	49	L	3	10	64	C1	-	-	-	-	-	M6	51	5.5	9.5	5.4	
GR2005BS-AALR	20	5	3.1750	17.5	1.5X2	9800	21000	170	40	53	L	5	12	68	A	52	-	-	7	-	M6	53	6.6	11	6.5	
GR2005BS-CALR	20	5	3.1750	17.5	1.5X2	9800	21000	170	40	53	L	5	12	68	C1	-	-	-	-	-	M6	53	6.6	11	6.5	
GR2005DS-BALR	20	5	3.1750	17.5	2.5X1	8350	17500	140	40	48	L	5	12	68	B	-	40	60	-	-	M6	53	6.6	11	6.5	
GR2005DS-CALR	20	5	3.1750	17.5	2.5X1	8350	17500	140	40	48	L	5	12	68	C1	-	-	-	-	-	M6	53	6.6	11	6.5	
GR2005ES-AALR	20	5	3.1750	17.5	2.5X2	15150	35000	260	40	58	L	5	12	68	A	52	-	-	7	-	M6	53	6.6	11	6.5	
GR2005ES-CALR	20	5	3.1750	17.5	2.5X2	15150	35000	260	40	58	L	5	12	68	C1	-	-	-	-	-	M6	53	6.6	11	6.5	
GR2006BS-AAPR	20	6	3.9688	16.6	1.5X2	12900	25600	170	44	61	P	5	12	72	A	55	-	-	7	-	M6	57	6.6	11	6.5	
GR2006BS-CAPR	20	6	3.9688	16.6	1.5X2	12900	25600	170	44	61	P	5	12	72	C1	-	-	-	-	-	M6	57	6.6	11	6.5	
GR2006DS-AAPR	20	6	3.9688	16.6	2.5X1	11000	21300	140	44	49	P	5	12	72	A	55	-	-	7.5	-	M6	57	6.6	11	6.5	
GR2006DS-CAPR	20	6	3.9688	16.6	2.5X1	11000	21300	140	44	49	P	5	12	72	C1	-	-	-	-	-	M6	57	6.6	11	6.5	
GR2008DS-AAPR	20	8	4.7625	16.0	2.5X1	13500	25100	140	46	63	P	5	15	74	A	56	-	-	10	-	M6	59	6.6	11	6.5	
GR2008DS-CAPR	20	8	4.7625	16.0	2.5X1	13500	25100	140	46	63	P	5	15	74	C1	-	-	-	-	-	M6	59	6.6	11	6.5	

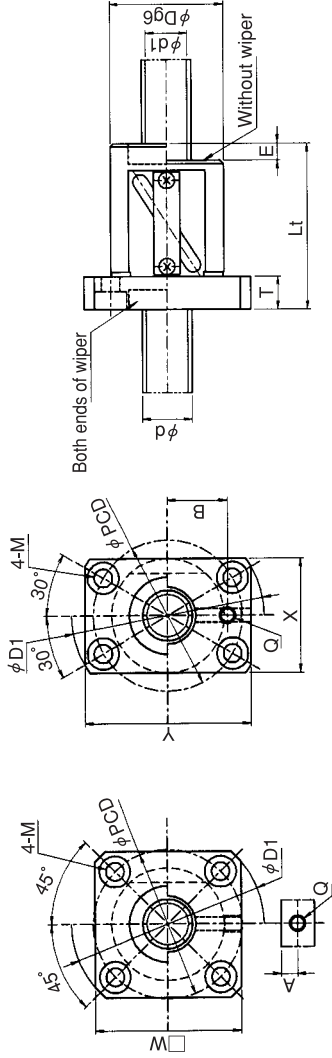
Wiper material P:Plastics wiper L:Lip seal

Refer to page 24 for NOTATION OF MODEL NUMBER.

**Tube Method Single Nut**

**Screw shaft diameter Ø20**

(Unit:mm)



Flange type A

Flange type B

Model No.	Screw shaft diameter d	Lead L	Ball diameter Db	Root diameter d1	Number of circuits Turn/Circuit	Basic dynamic load rating C (N)	Basic static load rating Co (N)	Rigidity Kns (N/μm)	Nut dimensions				Mounting hole												
									Outer diameter D	Overall length Lt	Wiper	Without wiper E	Flange dimensions		Oil hole		M								
													Type	Thickness	Outer diameter D1	W W	X X	Y Y	A A	B B	Q Q	PCD	Drill	Spotfacing	Depth
GR2010AS-AALR	20	10	4.7625	16.0	1.5X1	9200	16200	90	46	57	L	6	15	74	A	56	-	10	-	M6	59	6.6	11	6.5	
GR2010AS-BALR	20	10	4.7625	16.0	1.5X1	9200	16200	90	46	57	L	6	15	74	B	-	46	66	-	24	M6	59	6.6	11	6.5
GR2010DS-AALR	20	10	4.7625	16.0	2.5X1	13500	25100	140	46	65	L	6	15	74	A	56	-	10	-	M6	59	6.6	11	6.5	
GR2010DS-BALR	20	10	4.7625	16.0	2.5X1	13500	25100	140	46	65	L	6	15	74	B	-	46	66	-	24	M6	59	6.6	11	6.5
GR2020AS-AALR	20	20	4.7625	15.9	1.5X1	9200	16200	90	46	70	L	6	15	74	A	56	-	10	-	M6	59	6.6	11	6.5	
GR2020AS-BALR	20	20	4.7625	15.9	1.5X1	9200	16200	90	46	70	L	6	15	74	B	-	46	66	-	24	M6	59	6.6	11	6.5
GR2025AS-AAPR	20	25	4.7625	16.0	1.5X1	9200	16200	90	46	77	P	6	15	74	A	56	-	10	-	M6	59	6.6	11	6.5	
GR2025AS-BAPR	20	25	4.7625	16.0	1.5X1	9200	16200	90	46	77	P	6	15	74	B	-	46	66	-	24	M6	59	6.6	11	6.5
GR2032AS-AAPR	20	32	4.7625	16.0	1.5X1	9200	16200	90	46	96	P	8	15	74	A	56	-	10	-	M6	59	6.6	11	6.5	
GR2032AS-BAPR	20	32	4.7625	16.0	1.5X1	9200	16200	90	46	96	P	8	15	74	B	-	46	66	-	24	M6	59	6.6	11	6.5

Wiper material P:Plastics wiper L:Lip seal